

Job Name: 24-2287 Freedom Senior Apartments  
 Job Location: Lexington, KY  
 Contractor: Lagco Inc.

Plant: Beaver Dam, KY  
 10/14/2025 11:57:40 AM

Tech: Evan Niles  
 PC: Celina Goff



**Structure ID: SCI-103**

**P1 BX2436-08BVF**

**BOX BASE 8inW, 8inF, Variable Ht**

- P2) 24" x 36" - CASTING HEIGHT - 6"
- P1) 24" x 36" - BOX BASE 8inW, 8inF, Variable Ht - 41"
- 1) CASTING - HOE 525 SET FLAT GRATE (F/G/H)
- 1) 24" x 36" - SGL 1"x14.5' Butyl
- 2) Hole - 16

0 lb  
 5310 lb  
 442 lb  
 0 lb  
 0 lb  
 -----  
 Structure Total: 5752 lb

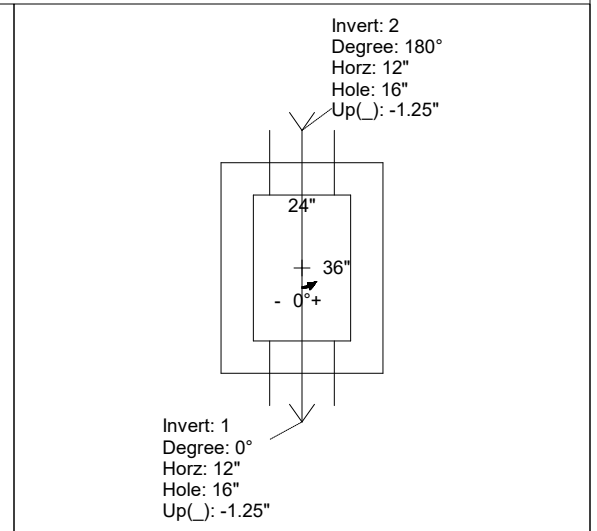
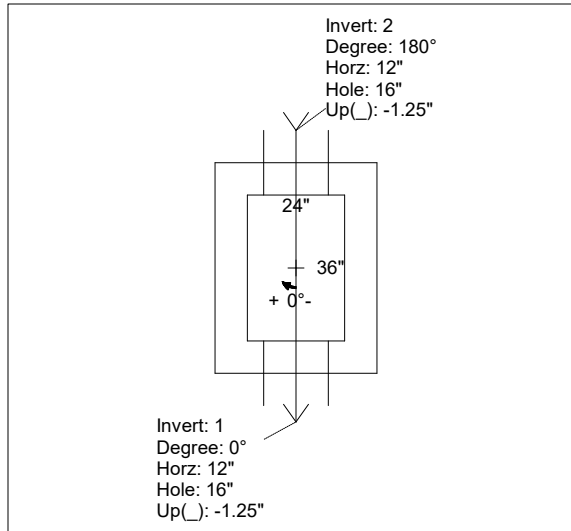
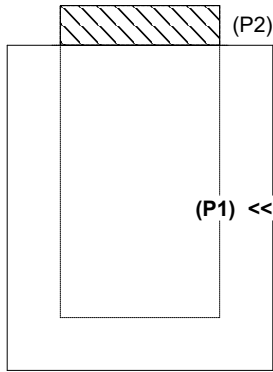
- Structure Notes:**
1. PER ASTM C913 SPECIFICATIONS.
  2. CONCRETE = 4,000 PSI AT 28 DAYS.
  3. NO INVERT CHANNEL.
  4. REINFORCING PER ASTM A615 (GRADE 60).  
 - WALLS (As .12) #5 BARS AT 12" C.C.E.W.  
 - FLOOR (As .12) #5 BARS AT 12" C.C.E.W.
  5. CASTING: JRH 525 F/G/H BY ICAST

Rim: 1002.55' Rim to Invert: 3.93' Slack: 0.16" Sump: 0" Step Position:

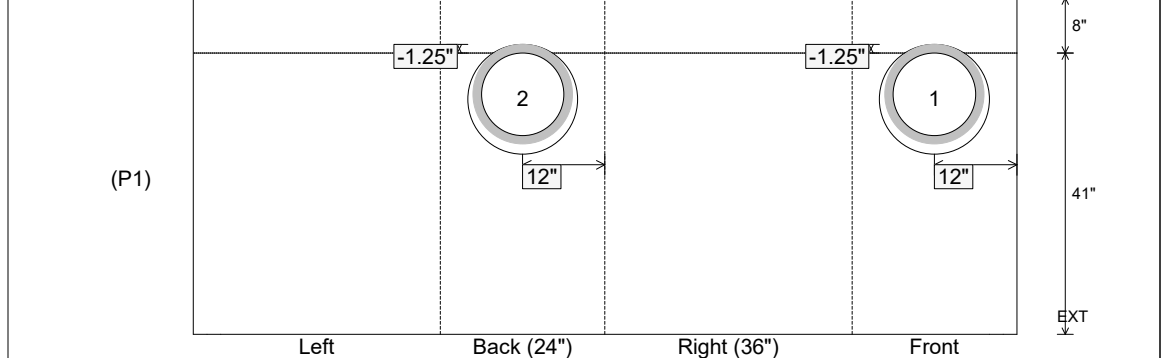
Position	Elev	Angle	Ext. (cw)	Pipe	Pipe OD	Connector	Hole	Horz Size	Up ( )	Offset
Invert 1	998.62'	0°	20"	12" HDPE	14.5"	Hole 16	16"	16"	-1.25"	0"
Invert 2	998.62'	180°	20"	12" HDPE	14.5"	Hole 16	16"	16"	-1.25"	0"
Invert 3										
Invert 4										
Invert 5										
Invert 6										
Invert 7										
Invert 8										

RIGHT-SIDE UP VIEW (int. dimensions)

UPSIDE-DOWN VIEW (int. dimensions)



INSIDE WALL DIMENSIONS



Coating (Int):  
 Coating (Ext):

Seam Up: Flat  
 Seam Dn: n/a

Wall Thickness: 8"  
 Floor Height: 8"

Height (Int): 41"  
 Height (Ext): 49"

Weight (Net): 5310 lb  
 Volume (Net): 1.36cu.yd