

Job Name: 24-2287 Freedom Senior Apartments
 Job Location: Lexington, KY
 Contractor: Lagco Inc.

Plant: Beaver Dam, KY
 10/14/2025 11:57:45 AM

Tech: Evan Niles
 PC: Celina Goff



Structure ID: OCS-111

P1 BX2424-08BAVF

BOX BASE 8inW, 8inF, Variable Ht

- P3) 24" x 24" - CASTING HEIGHT - 0"
- P2) 24" x 24" - BOX RISER 8inW, Variable Ht - 34"
- P1) 24" x 24" - BOX BASE 8inW, 8inF, Variable Ht - 32"
- 1) CASTING - TRASHRACKS LVT-2424-G Inlet Grate
- 2) 24" x 24" - SGL 1"x14.5' Butyl
- 1) Hole - 16
- 1) Hole - 10
- 1) Hole - 8
- 1) SQ. Hole - 12"x12"

0 lb
 2791 lb
 3636 lb
 61 lb
 0 lb
 0 lb
 0 lb
 0 lb
 0 lb
 0 lb
 0 lb
 Structure Total: 6488 lb

Structure Notes:

1. PER ASTM C913 SPECIFICATIONS.
2. CONCRETE = 4,000 PSI AT 28 DAYS.
3. NO INVERT CHANNEL.

REINFORCING PER ASTM A615 (GRADE 60).

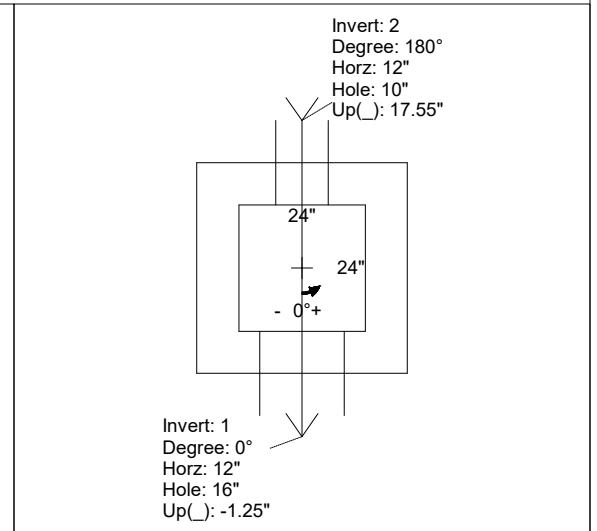
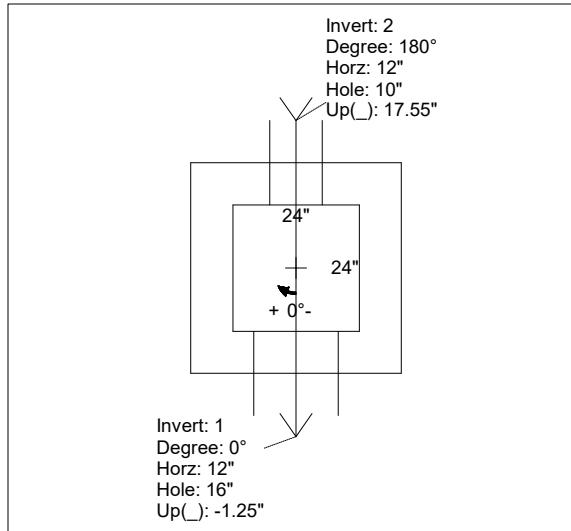
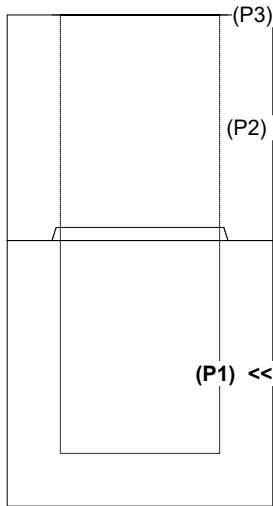
- WALLS (As .12) #5 BARS AT 12" C.C.E.W.
- FLOOR (As .12) #5 BARS AT 12" C.C.E.W.
- 4. CASTING: LVT-2424 TRASH RACK BY OTHERS

Rim: 994' Rim to Invert: 5.5' Slack: 0" Sump: 0" Step Position:

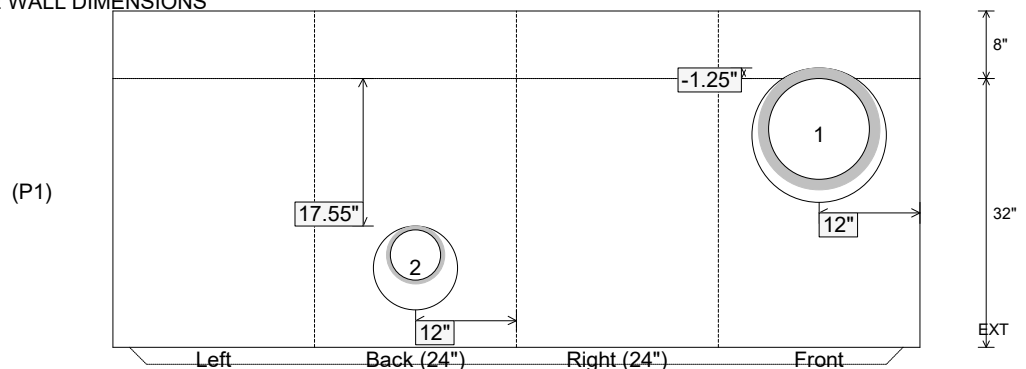
Position	Elev	Angle	Ext. (cw)	Pipe	Pipe OD	Connector	Hole	Horz Size	Up (↓)	Offset
Invert 1	988.5'	0°	20"	12" HDPE	14.5"	Hole 16	16"	16"	-1.25"	0"
Invert 2	990'	180°	20"	6" HDPE	6.9"	Hole 10	10"	10"	17.55"	0"
Invert 3										
Invert 4										
Invert 5										
Invert 6										
Invert 7										
Invert 8										

RIGHT-SIDE UP VIEW (int. dimensions)

UPSIDE-DOWN VIEW (int. dimensions)



INSIDE WALL DIMENSIONS



Coating (Int):
 Coating (Ext):

Seam Up: Tongue
 Seam Dn: n/a

Wall Thickness: 8"
 Floor Height: 8"

Height (Int): 32"
 Height (Ext): 40"

Weight (Net): 3636 lb
 Volume (Net): 0.93cu.yd