



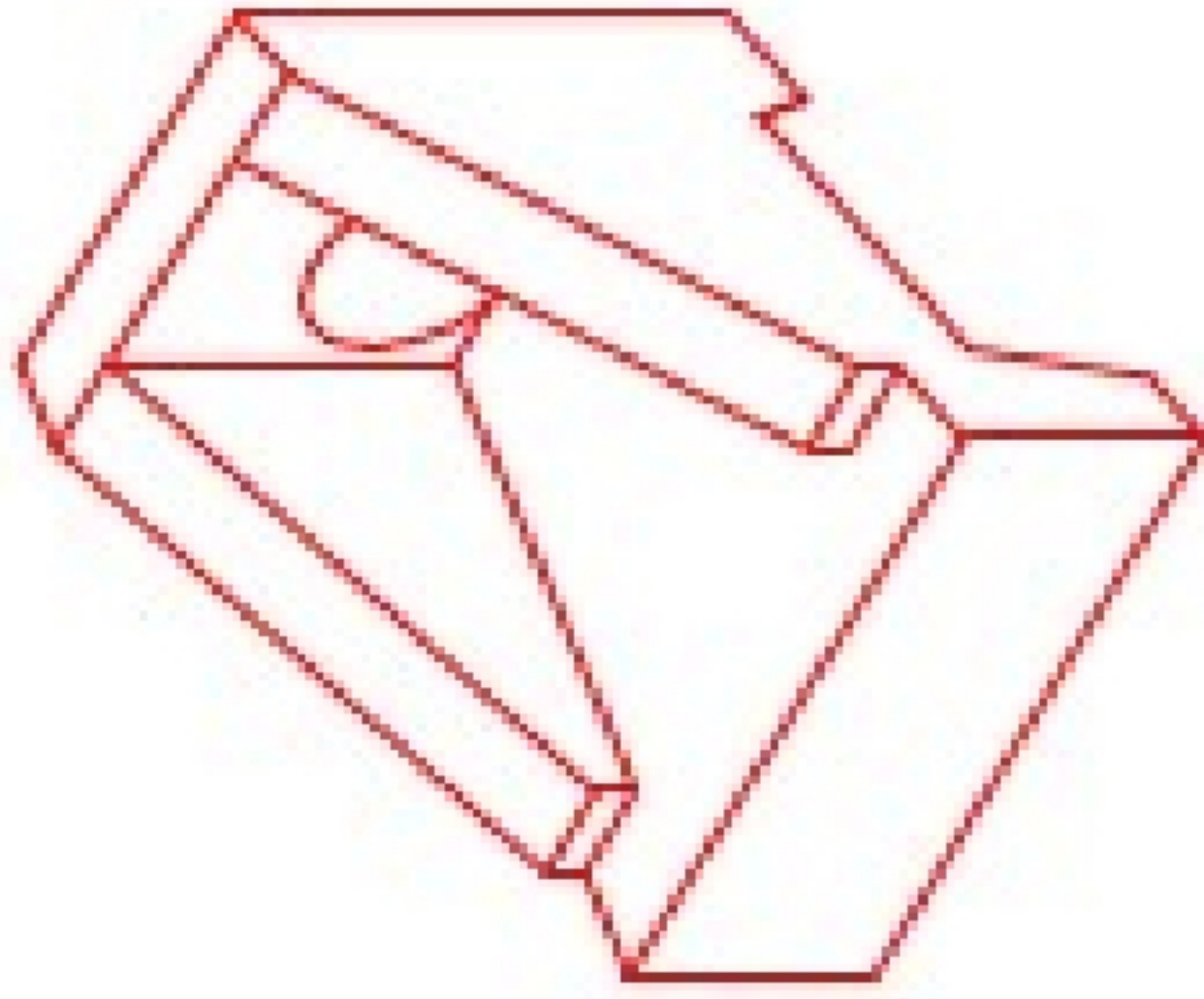
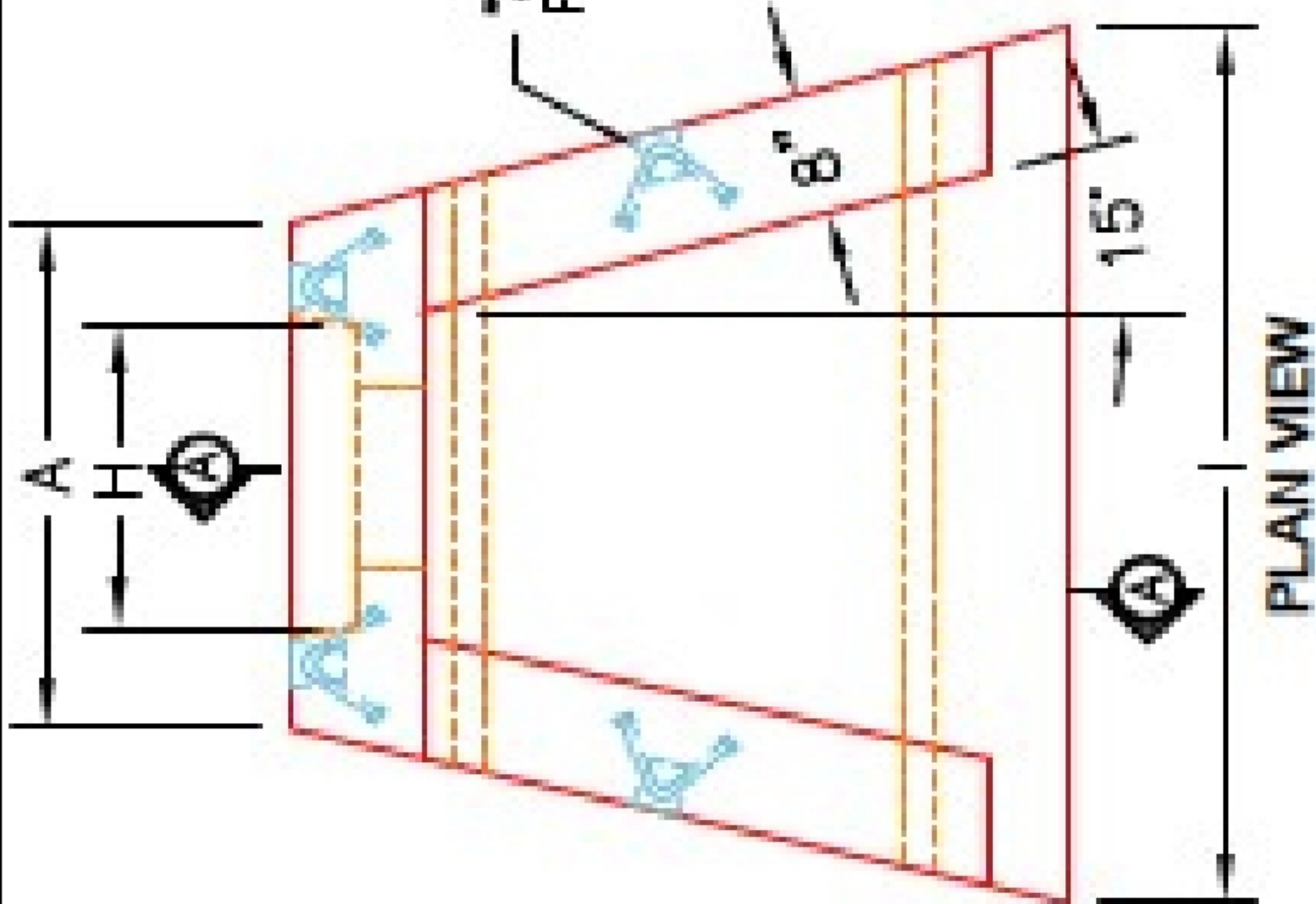
Structure ID: HW-S113

P1 HWSF12

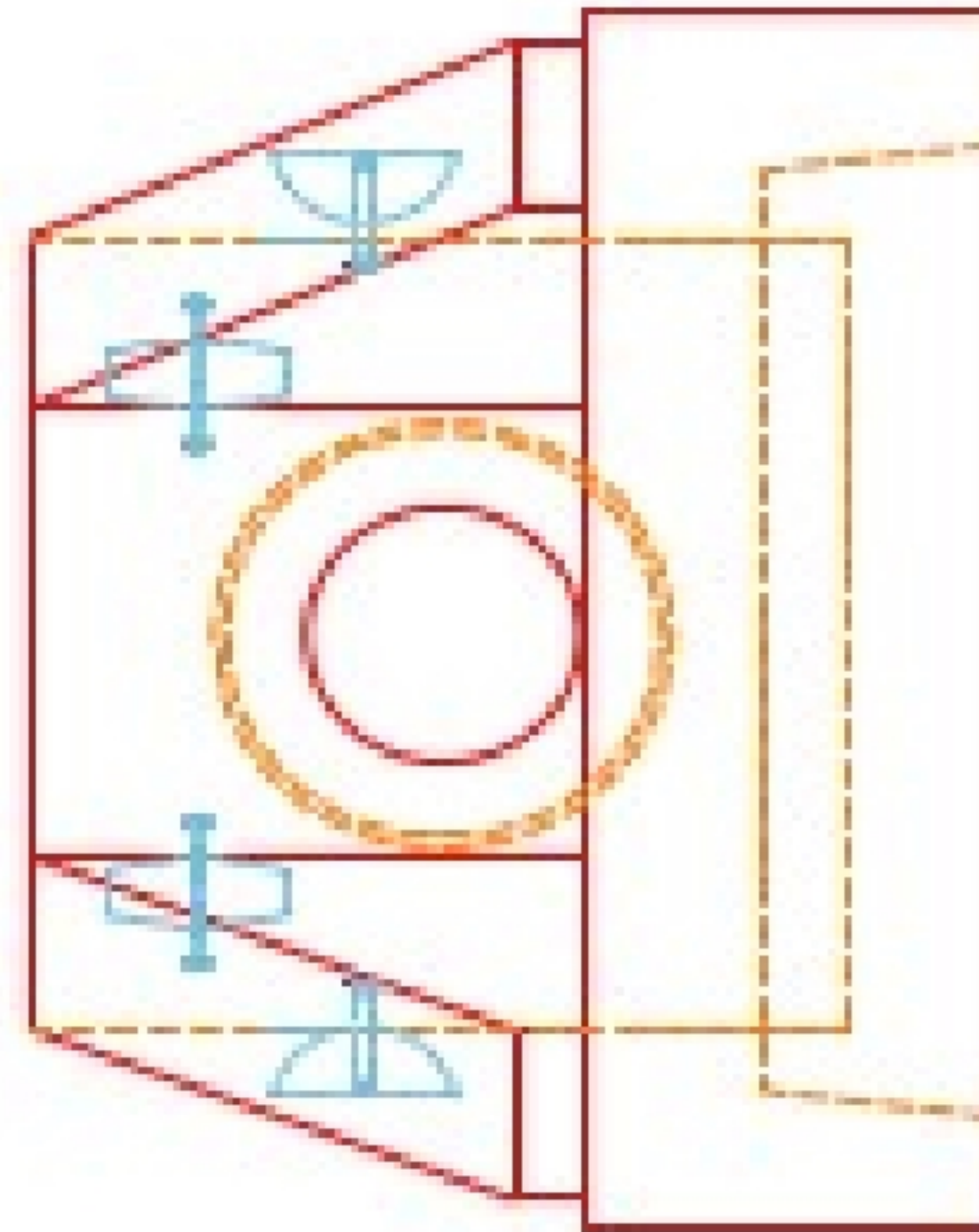
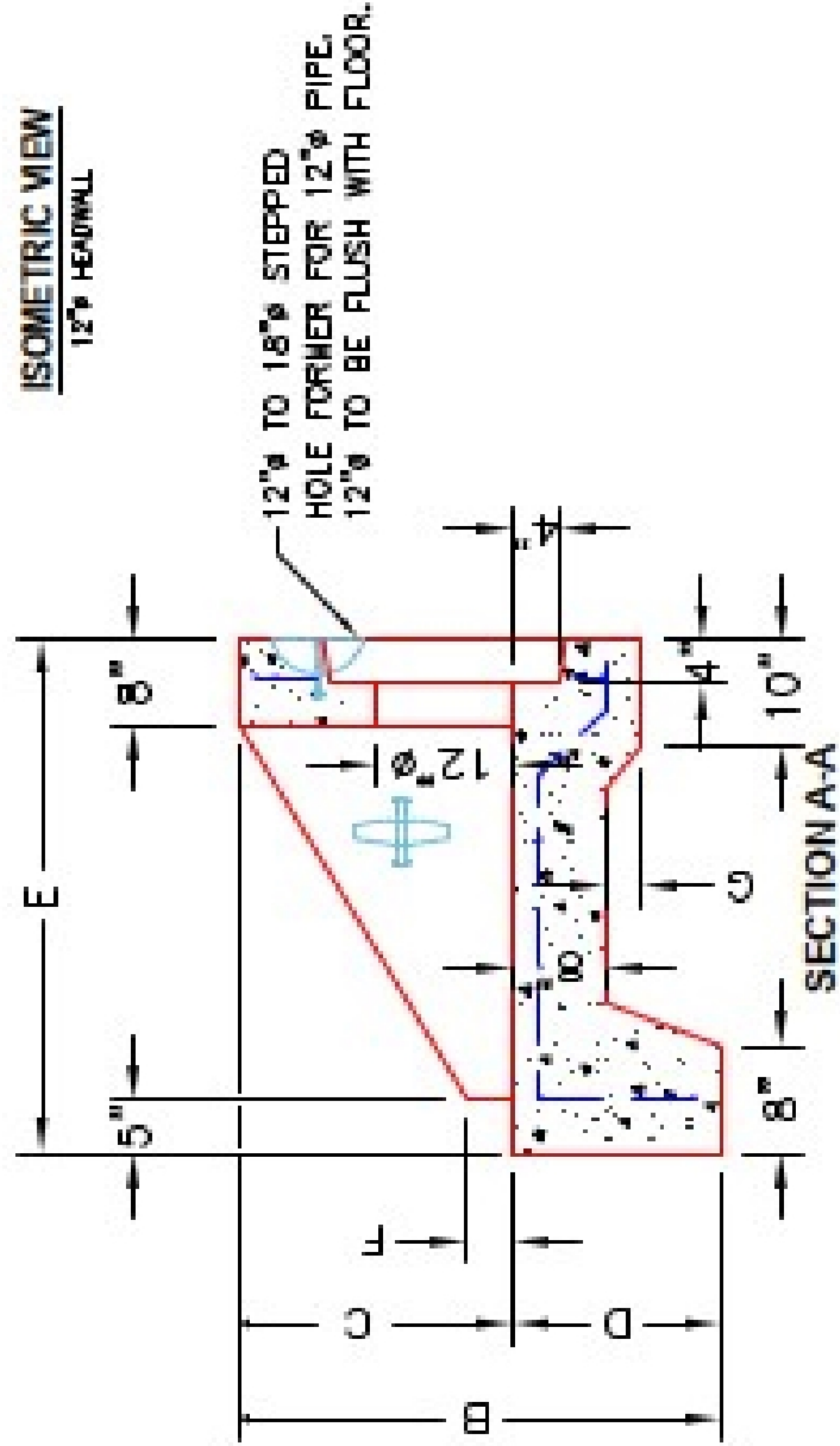
12" - SLOPED & FLARED HEADWALL

| DIMENSIONS | | | | | | | | | | |
|------------|-------|-------|-------|-------|-------|----|-----|-------|-------|------------|
| PPE Ø | A | B | C | D | E | F | G | H | I | WEIGHT |
| 12" | 2'-8" | 3'-6" | 2'-0" | 1'-8" | 4'-0" | 3" | 28" | 1'-8" | 4'-9" | 3,161 LBS. |

"A-ANCHOR" LIFTING SYSTEM FOR PLANT & FIELD HANDLING.



ISOMETRIC VIEW
12" HEADWALL



FRONT ELEVATION

- NOTES:**
1. CONCRETE: 4500 PS @ 28 DAYS.
 2. REINFORCING: #4 BAR @ 12" C/C E/W - GRADE 60, (WITH 2" CONCRETE COVER MINIMUM)
 3. REINFORCING BARS TO BE TACK WELDED OR TIED.
 4. DRAWING TO BE USED IN CONJUNCTION WITH KYTC STD. DRAWING RDH-020-03 AND THE STANDARD SPECIFICATIONS FOR ROAD AND BRIDGE CONSTRUCTION.
 5. CHAMFER ON ALL EXPOSED EDGES.

| PRODUCTION WORK ORDER | | PRODUCT I.D.: HWSF12 | DESCRIPTION: KYTC 12" SLOPED & FLARED HEADWALL |
|---------------------------|-----------------------------|-----------------------------|--|
| QUALITY CONTROL CHECKLIST | | PRODUCT VIEW: RIGHT SIDE UP | CUSTOMER: STOCK |
| <input type="checkbox"/> | ALL DIMENSIONS CORRECT. | PLANT: BEAVER DAM, KY. | PROJECT: STOCK INVENTORY |
| <input type="checkbox"/> | LIFTERS INSTALLED. | WEIGHT: 3,161 LBS. | STRUCTURE I.D.: N/A |
| <input type="checkbox"/> | STEPPED HF CORRECT SIZE. | TOP SECTION JOINT: N/A | QUOTE/SALES ORDER NO: N/A |
| <input type="checkbox"/> | REINFORCING CORRECT. | BASE SECTION JOINT: N/A | CHECK: JH. ROSSL PE DRAWING: N. RICHARDS |
| <input type="checkbox"/> | DISSIPATOR BLOCK INSTALLED. | QC CHECK INITIALS: | DATE: 08/15/22 SCALE: NTS FIG. 1 of 1 |
| <input type="checkbox"/> | EDGES CHAMFERED. | | |
| <input type="checkbox"/> | ALL PATCHWORK ACCEPTABLE. | | |



THIS DRAWING IS THE PROPERTY OF INFRASTRUCTURE PRECAST, INC. ANY USE OR DUPLICATION OF THIS DRAWING WITHOUT PRIOR AUTHORIZATION IS STRICTLY PROHIBITED.