

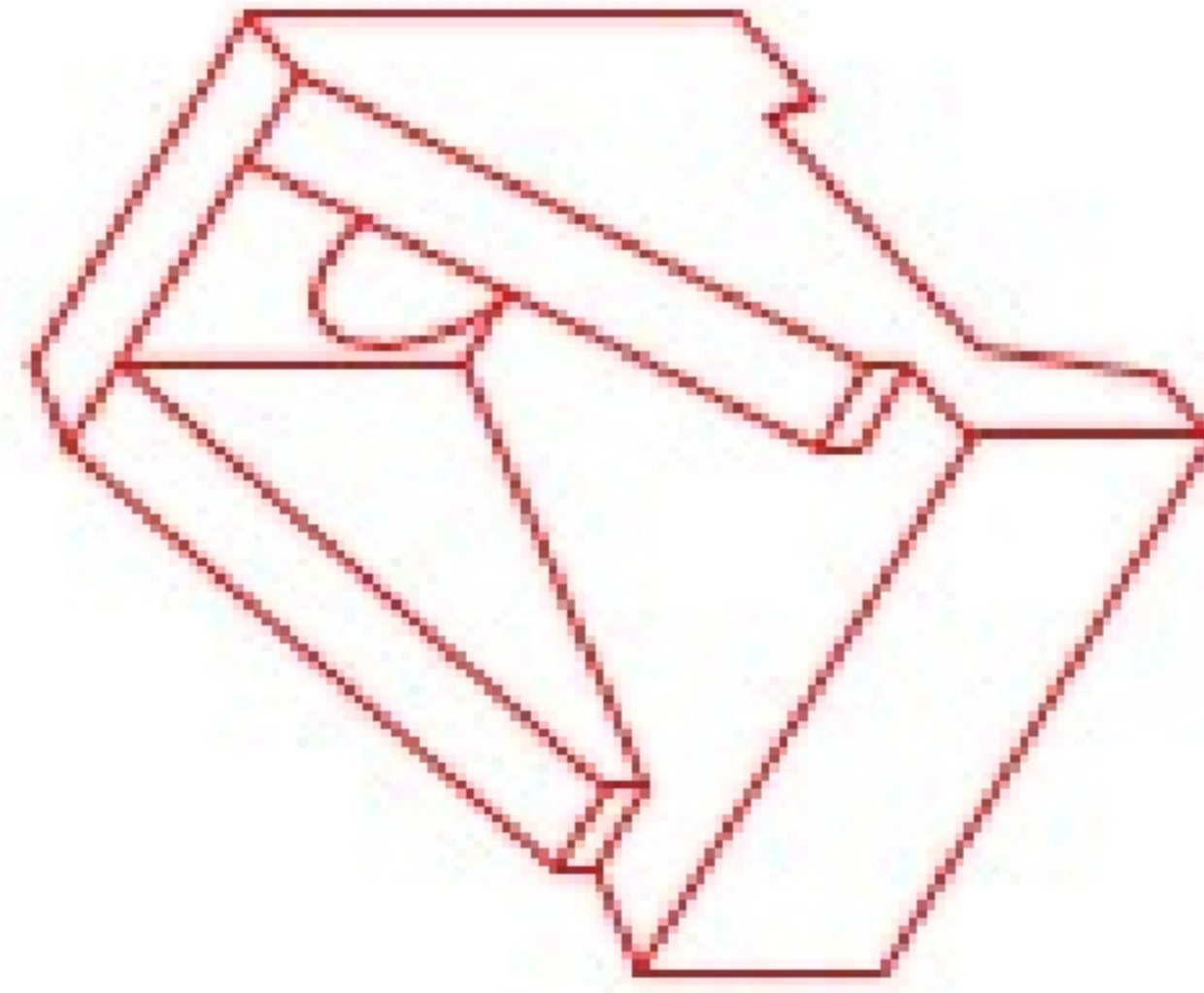


Structure ID: HW-S110

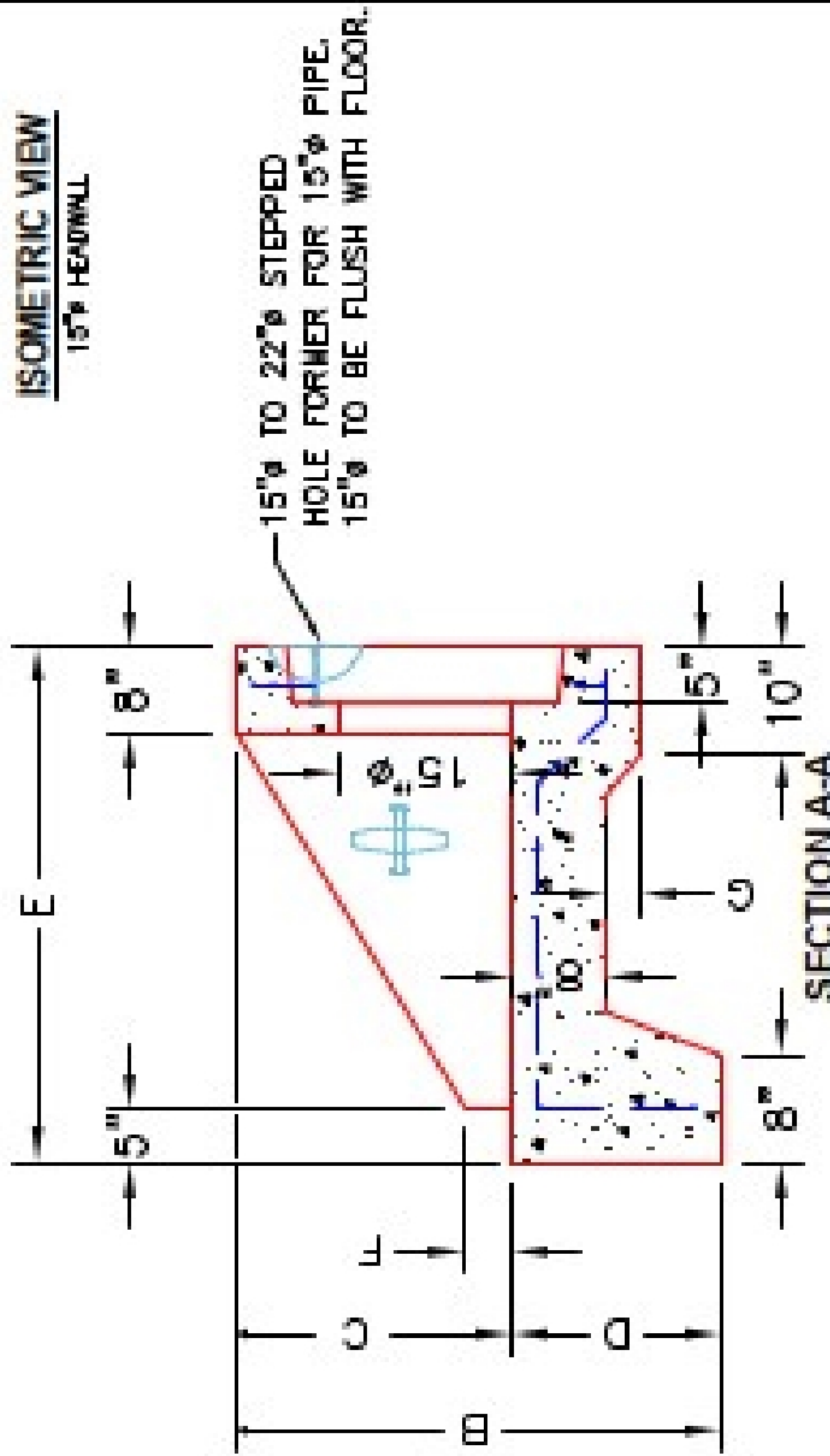
P1 HWSF15

15" - SLOPED & FLARED HEADWALL

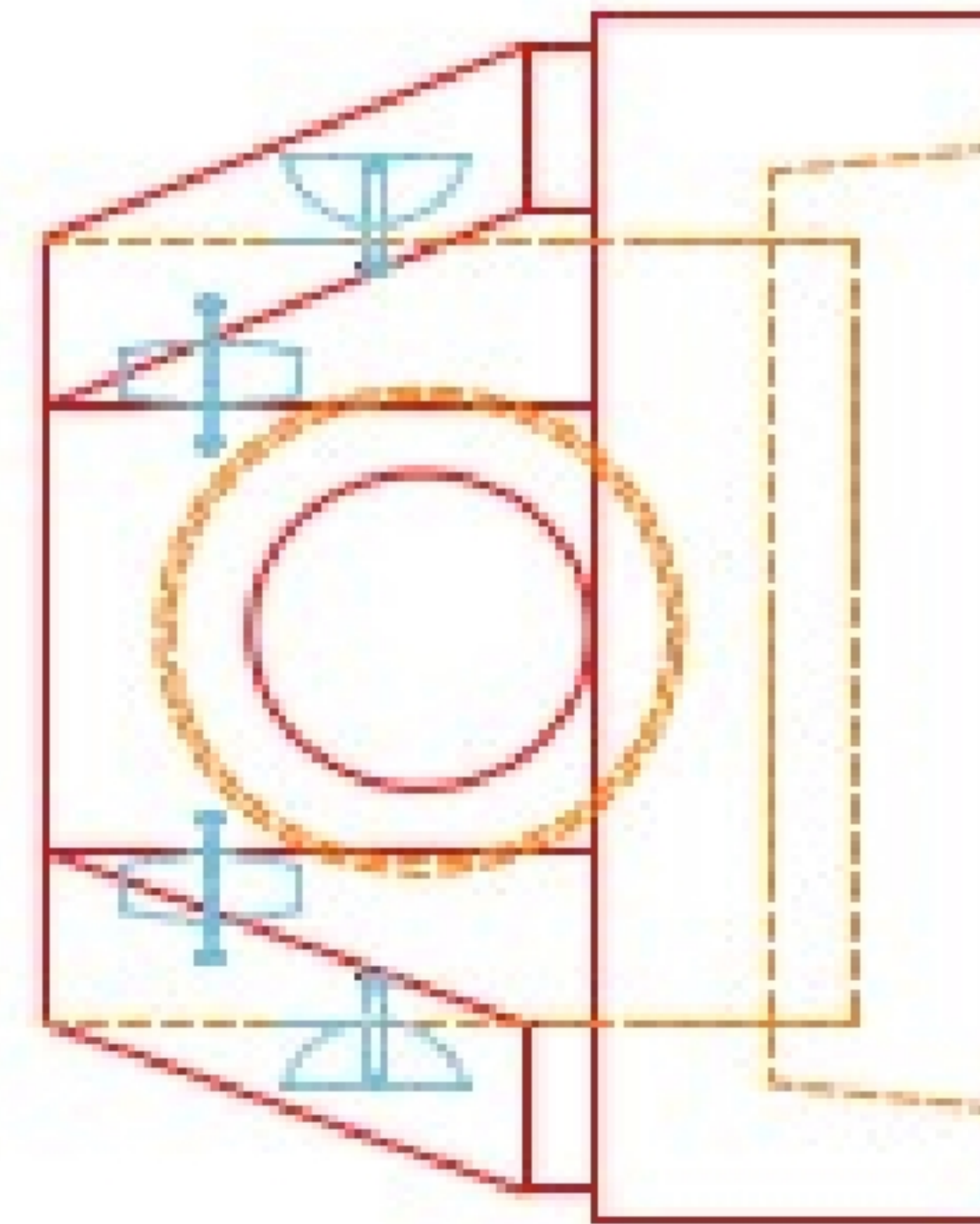
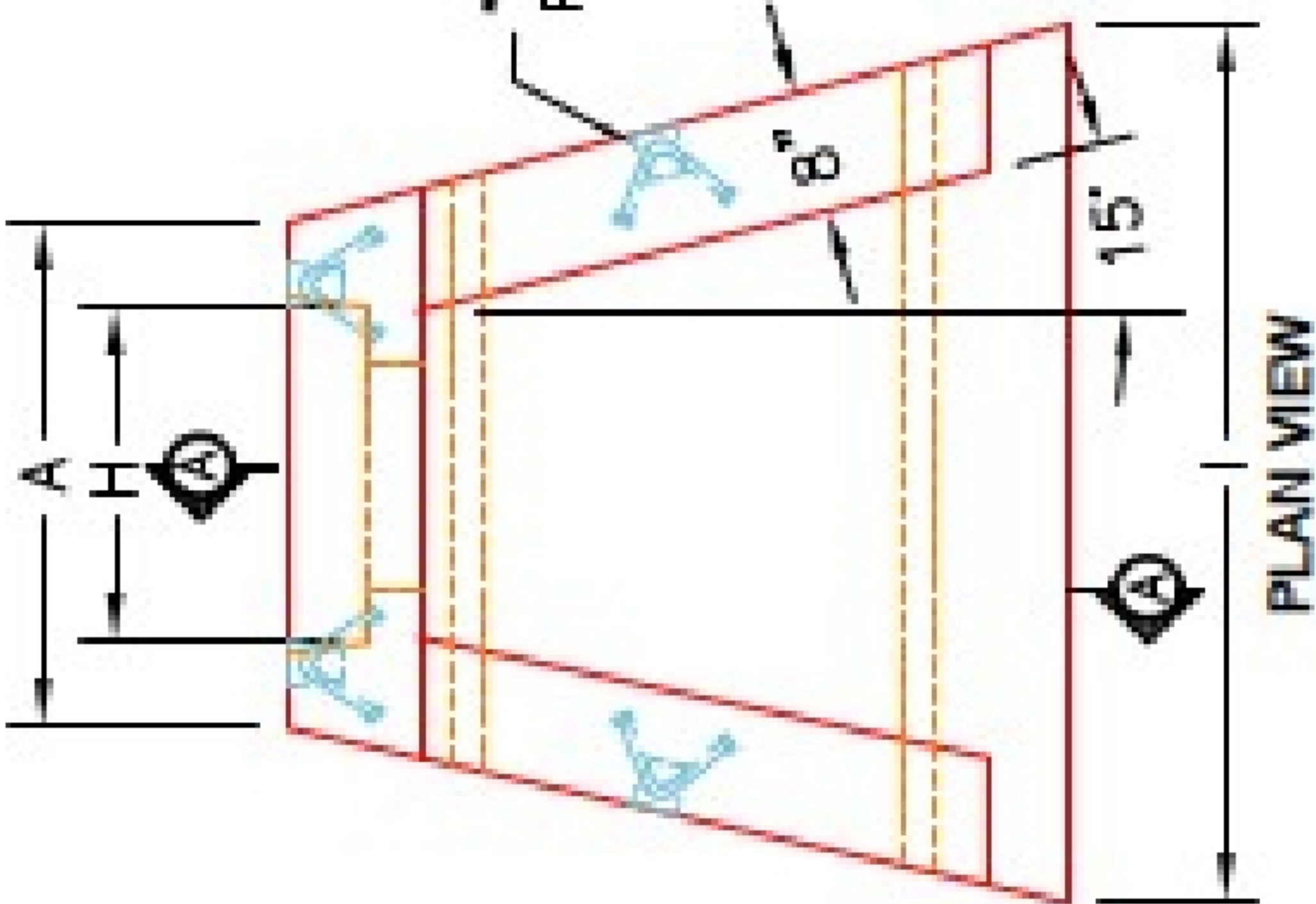
DIMENSIONS										
PPE Ø	A	B	C	D	E	F	G	H	I	WEIGHT
15"	2'-0"	3'-6"	2'-0"	1'-6"	4'-0"	3"	2"	2'-0"	4'-0"	3,181 LBS.



ISOMETRIC VIEW
15° HEADWALL



"A"-ANCHOR LIFTING SYSTEM FOR PLANT & FIELD HANDLING.



NOTES:

1. CONCRETE: 4500 PSI @ 28 DAYS.
2. REINFORCING: #4 BAR @ 12" C/C E.W.-GRADE 60, (WITH 2" CONCRETE COVER MINIMUM)
3. REINFORCING BARS TO BE TACK WELDED OR TIED.
4. DRAWING TO BE USED IN CONJUNCTION WITH KYTC STD. DRAWING RDH-020-03 AND THE STANDARD SPECIFICATIONS FOR ROAD AND BRIDGE CONSTRUCTION.
5. 1/8" CHAMFER ON ALL EXPOSED EDGES.

PRODUCTION WORK ORDER

- QUALITY CONTROL CHECKLIST
- ALL DIMENSIONS CORRECT.
 - LIFTERS INSTALLED.
 - STEPPED HF CORRECT SIZE.
 - REINFORCING CORRECT.
 - DISSIPATOR BLOCK INSTALLED.
 - EDGES CHAMFERED.
 - ALL PATCHWORK ACCEPTABLE.



DESCRIPTION: KYTC 15" Ø SLOPED & FLARED HEADWALL	PRODUCT I.D.: HWSF15
CUSTOMER: STOCK	PRODUCT VIEW: RIGHT SIDE UP
PROJECT: STOCK INVENTORY	PLANT: BEAVER DAM, KY.
STRUCTURE ID.: N/A	WEIGHT: 3,181 LBS.
QUOTE/SALES ORDER NO: N/A	TOP SECTION JOINT: N/A
CHECK: J.H. ROSS, PE	BASE SECTION JOINT: N/A
DATE: 09/15/22	QC CHECK INITIALS:
SCALE: NTS	DRAWING: N. RICHARDS
PG. 1 of 1	