

Job Name: 24-2136B Lincoln Station
Job Location: Tullahoma, TN
Contractor: Cumberland Pipeline LLC

PC: C.Goff
 TECH: C.Russ
 Plant: Beaver Dam



Structure ID: **STMH 29**
 Spec: Storm
 Type: BX 6inW, 6inF
 Size: 30" x 30"

Rim: 1.75'
 Invert: 0'
 Rim to Invert: 1.75'

Sump: 0"
 Floor (Top): 0'
 Floor Height: 6"

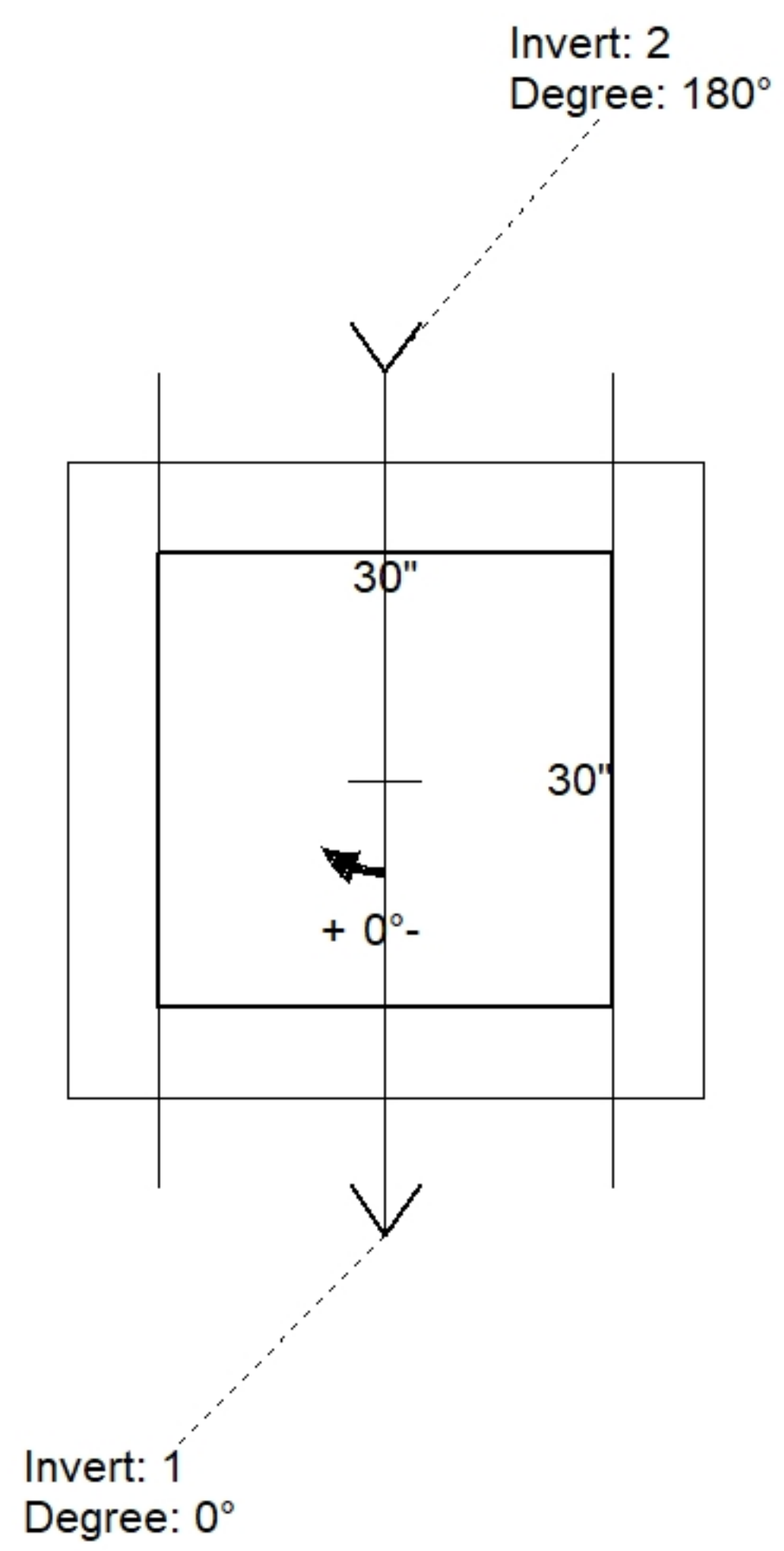
Floor (Bot): -0.5'
 Overall Height: 2.25'
 Slack: 0"

Structure Notes:

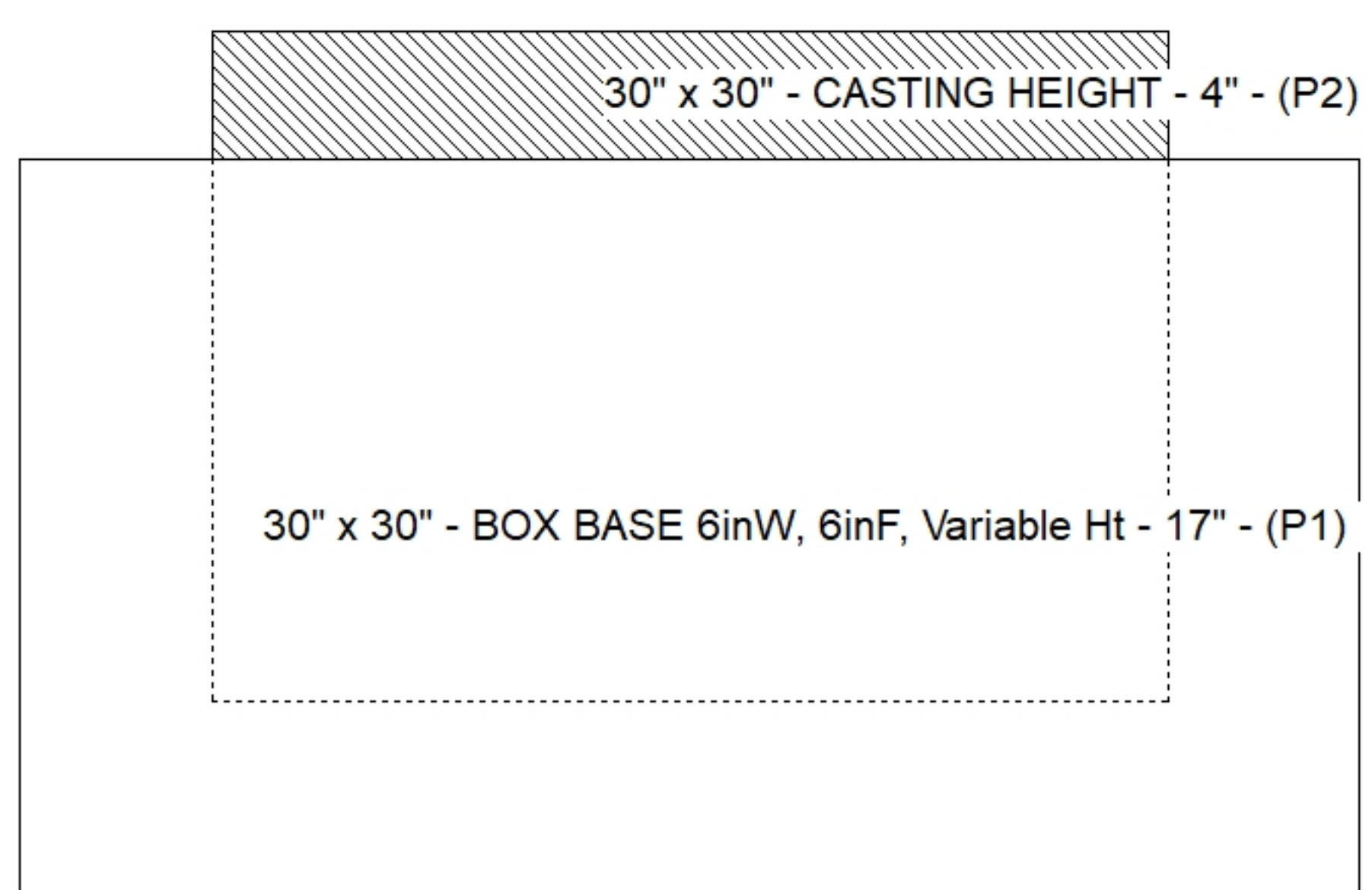
1. JR HOE 468-C PROVIDED BY ICAST.
2. PER ASTM C913 SPECIFICATIONS.
3. CONCRETE = 4,000 PSI AT 28 DAYS.
4. REINFORCING PER ASTM A615 (GRADE 60)
 - WALLS (As .12) #5 BARS AT 12" C.C.E.W.
 - FLOOR (As .12) #5 BARS AT 12" C.C.E.W.

STRUCTURE SUMMARY:

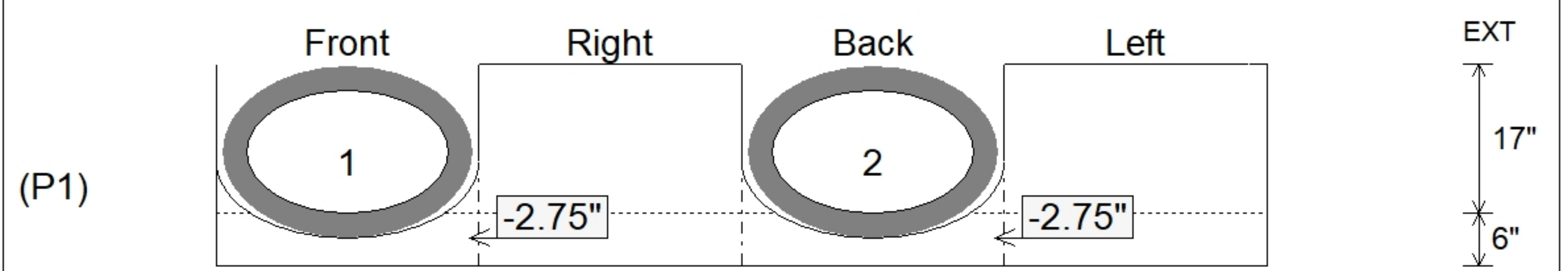
P2) 30" x 30" - CASTING HEIGHT - 4"	0 lb
P1) 30" x 30" - BOX BASE 6inW, 6inF, Variable Ht - 17"	1714 lb
1) 30" x 30" - SGL 1"x14.5' Butyl	0 lb
2) DOGHOUSE INVRTD (ELLIP) - 30"x17"	0 lb
Structure Total:	1714 lb



Position	Elev	Angle	Pipe	Pipe OD	Hole	Connector	Up ()	Ref
Rim	1.75'							
Reducer								
Invert 1	0'	0°	23" x 14" ELL RCP	28.5" x 19.5"	30" x 17"	DOGHOUSE INVRTD (ELLIP) 30"x17"	-2.75"	P1
Invert 2	0'	180°	23" x 14" ELL RCP	28.5" x 19.5"	30" x 17"	DOGHOUSE INVRTD (ELLIP) 30"x17"	-2.75"	P1
Invert 3								
Invert 4								
Invert 5								
Invert 6								
Invert 7								
Invert 8								



Default - Interior Dimensions



Submittal Drawing
 11/13/2025 8:09:38 AM

SUBMITTAL
 APPROVED BY: