

Job Name: 24-2136B Lincoln Station
 Job Location: Tullahoma, TN
 Contractor: Cumberland Pipeline LLC

Plant: Beaver Dam

Tech: C.Russ

11/12/2025 10:46:57 AM

PC: C.Goff



Structure ID: STMH 29

P1 BX3030-06VH

BOX BASE 6inW, 6inF, Variable Ht

- P2) 30" x 30" - CASTING HEIGHT - 4"
- P1) 30" x 30" - BOX BASE 6inW, 6inF, Variable Ht - 17"
- 1) 30" x 30" - SGL 1"x14.5' Butyl
- 2) DOGHOUSE INVRTD (ELLIP) - 30"x17"

- Structure Notes:**
1. JR HOE 468-C PROVIDED BY ICAST.
 2. PER ASTM C913 SPECIFICATIONS.
 3. CONCRETE = 4,000 PSI AT 28 DAYS.
 4. REINFORCING PER ASTM A615 (GRADE 60)
 - WALLS (As .12) #5 BARS AT 12" C.C.E.W.
 - FLOOR (As .12) #5 BARS AT 12" C.C.E.W.

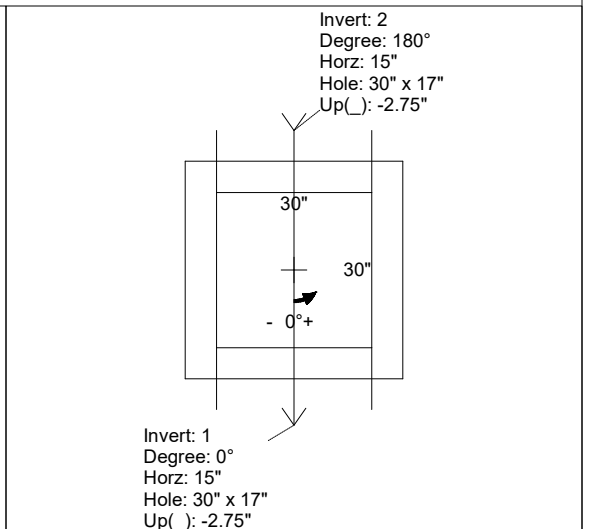
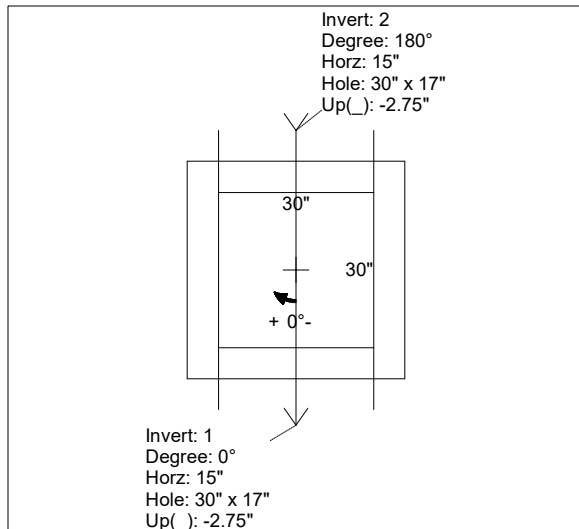
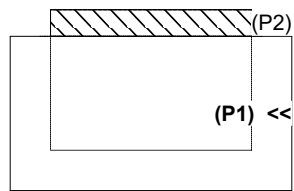
Structure Total: 1714 lb

Rim: 1.75' Rim to Invert: 1.75' Slack: 0" Sump: 0" Step Position:

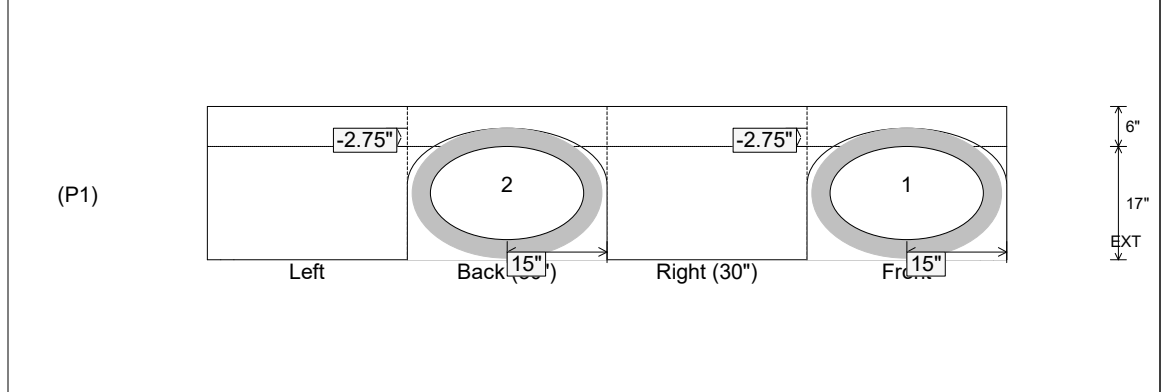
Position	Elev	Angle	Ext. (cw)	Pipe	Pipe OD	Connector	Hole	Horz Size	Up ()	Offset
Invert 1	0'	0°	21"	23" x 14" ELL RCP	28.5" x 19.5"	DOGHOUSE INVRTD (ELLIP) 30"x17"	30" x 17"	30"	-2.75"	0"
Invert 2	0'	180°	21"	23" x 14" ELL RCP	28.5" x 19.5"	DOGHOUSE INVRTD (ELLIP) 30"x17"	30" x 17"	30"	-2.75"	0"
Invert 3										
Invert 4										
Invert 5										
Invert 6										
Invert 7										
Invert 8										

RIGHT-SIDE UP VIEW (int. dimensions)

UPSIDE-DOWN VIEW (int. dimensions)



INSIDE WALL DIMENSIONS



Coating (Int): Coating (Ext):	Seam Up: Flat Seam Dn: n/a	Wall Thickness: 6" Floor Height: 6"	Height (Int): 17" Height (Ext): 23"	Weight (Net): 1714 lb Volume (Net): 0.44cu.yd
----------------------------------	-------------------------------	--	--	--