

**Job Name: 24-2057B The Village At Lemon Mill Sanitary**  
**Job Location: Georgetown, KY**  
**Contractor: C Squared Contracting LLC**

PC: C. Goff  
 TECH: J. Coppage  
 Plant: Beaver Dam



Structure ID: **SSMH-B3**

Spec: Sanitary  
 Type: SAN.MH  
 Size: 48"

Rim: 876.26'  
 Invert: 870'  
 Rim to Invert: 6.26'

Sump: 2.004"  
 Floor (Top): 869.833'  
 Floor Height: 6"

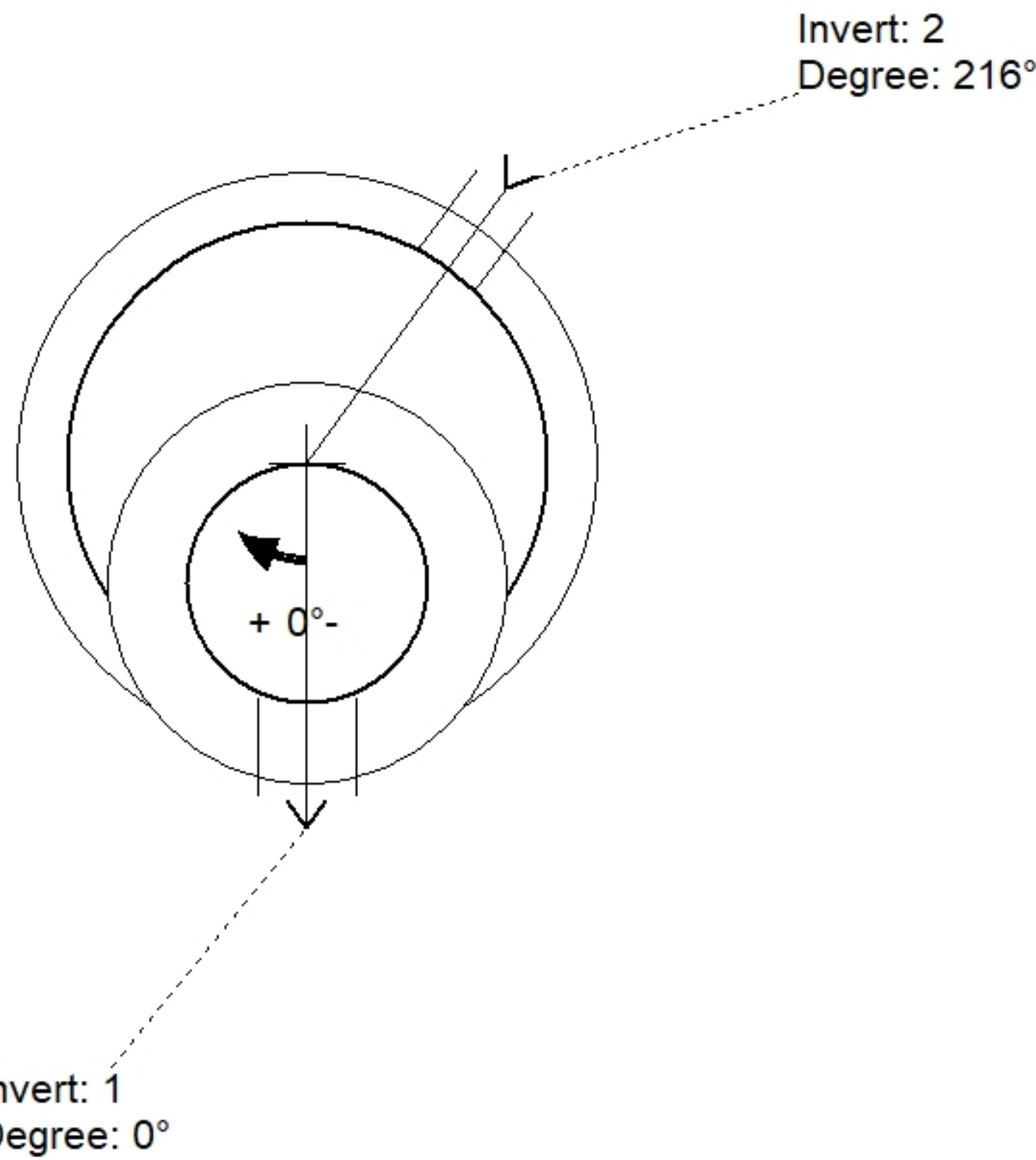
Floor (Bot): 869.333'  
 Overall Height: 6.833'  
 Slack: 1.124"

**Structure Notes:**

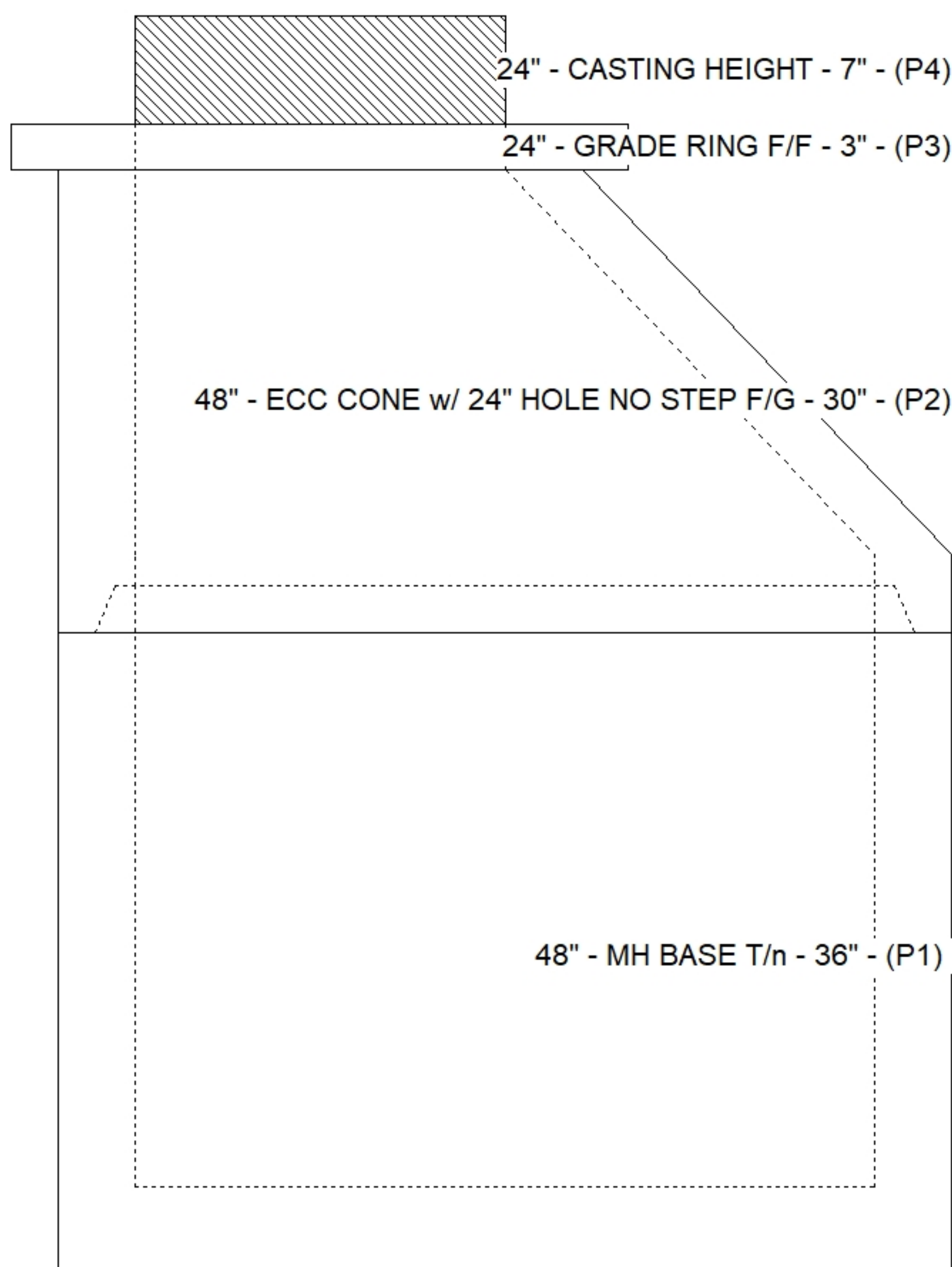
1. JR HOE MC-375 GMWSS PROVIDED BY ICAST.
2. PER ASTM C478 SPECIFICATIONS.
3. CONCRETE = 4,000 PSI AT 28 DAYS.
4. REINFORCING PER ASTM A615 (GRADE 60).  
 - CONE (As .12)  
 - RISER/WALLS (As .12)  
 - FLOOR (As .31) #5 BARS AT 12" C.C.E.W.
5. **\*\*NO STEPS\*\***

**STRUCTURE SUMMARY:**

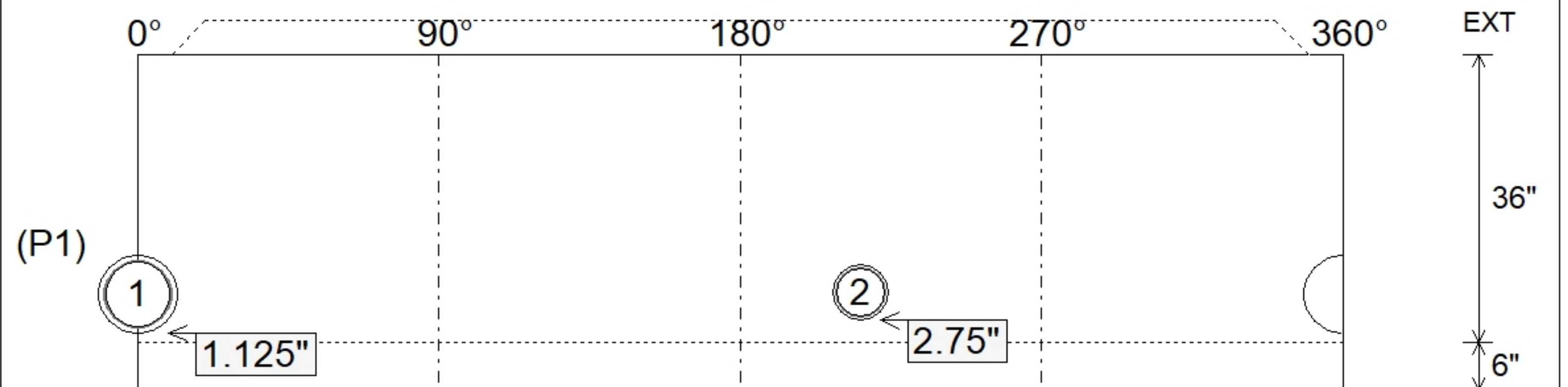
P4) 24" - CASTING HEIGHT - 7"	0 lb
P3) 24" - GRADE RING F/F - 3"	202 lb
P2) 48" - ECC CONE w/ 24" HOLE NO STEP F/G - 30"	2050 lb
P1) 48" - MH BASE T/n - 36"	3797 lb
1) JOINT WRAP PRIMER - CONSEAL CS-75 (1 gal.)	0 lb
1) JOINT WRAP - 0.065"x6"x50' CONSEAL CS212	0 lb
1) 48" - MH INVERT CHANNEL - FULL HEIGHT	1440 lb
1) CASTING - HOE MC-375 F/C GMWSS	271 lb
1) 48" - DBL 1"x14.5' Butyl (2x)	0 lb
1) A-Lok - 0285	1 lb
1) A-Lok - 0200	1 lb
<b>Structure Total:</b>	<b>7763 lb</b>



Position	Elev	Angle	Pipe	Pipe OD	Hole	Connector	Up (")	Ref
Rim	876.26'							
Reducer								
Invert 1	870'	0°	8" PVC SDR35	8.5"	9.75"	A-Lok 0285	1.125"	P1
Invert 2	870.1'	216°	6" PVC SDR35	6.25"	7"	A-Lok 0200	2.75"	P1
Invert 3								
Invert 4								
Invert 5								
Invert 6								
Invert 7								
Invert 8								



**Cast (Int. Dim.) - Interior Dimensions**



Submittal Drawing  
 10/24/2025 11:59:57 AM

SUBMITTAL  
 APPROVED BY: