

**Job Name: 24-2057B The Village At Lemon Mill Sanitary**  
**Job Location: Georgetown, KY**  
**Contractor: C Squared Contracting LLC**

PC: C. Goff  
 TECH: J. Coppage  
 Plant: Beaver Dam



Structure ID: **SSMH-B2**

Spec: Sanitary  
 Type: SAN.MH  
 Size: 48"

Rim: 875.84'  
 Invert: 868.49'  
 Rim to Invert: 7.35'

Sump: 2.004"  
 Floor (Top): 868.323'  
 Floor Height: 6"

Floor (Bot): 867.823'  
 Overall Height: 7.833'  
 Slack: 2.204"

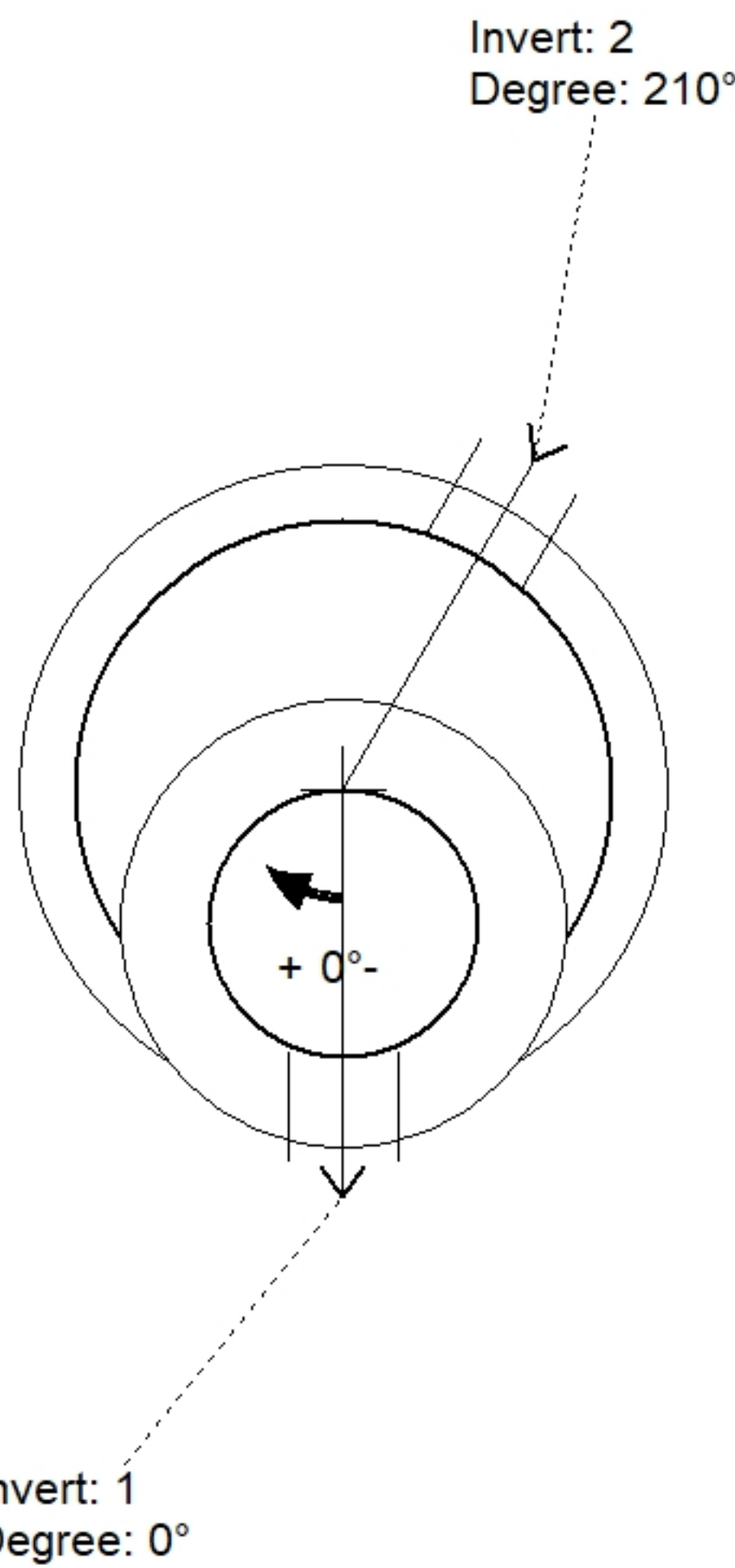
**Structure Notes:**

- JR HOE MC-375 GMWSS PROVIDED BY ICAST.
- PER ASTM C478 SPECIFICATIONS.
- CONCRETE = 4,000 PSI AT 28 DAYS.
- REINFORCING PER ASTM A615 (GRADE 60).  
 - CONE (As .12)  
 - RISER/WALLS (As .12)  
 - FLOOR (As .31) #5 BARS AT 12" C.C.E.W.
- \*\*NO STEPS\*\***

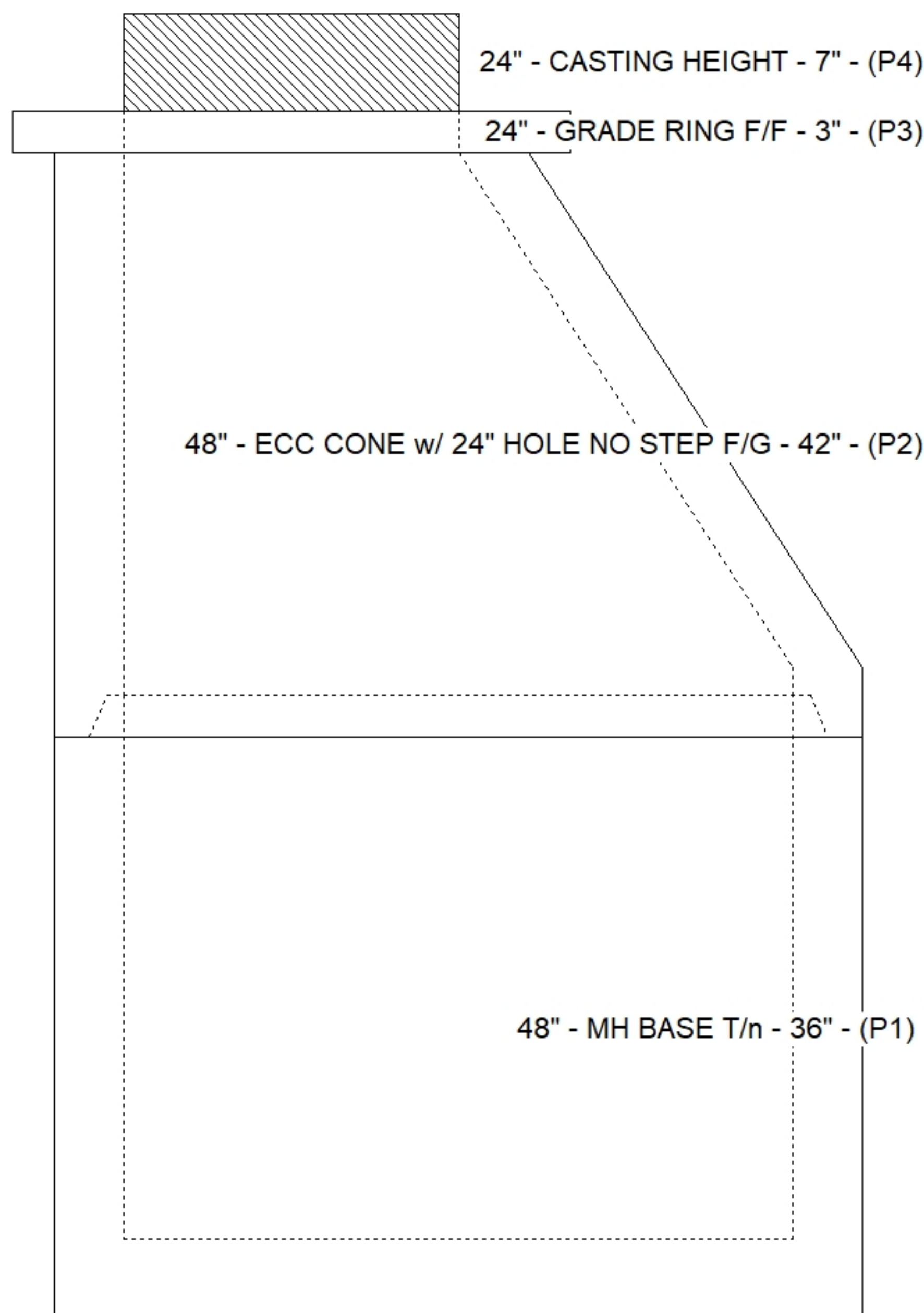
**STRUCTURE SUMMARY:**

- P4) 24" - CASTING HEIGHT - 7" 0 lb
- P3) 24" - GRADE RING F/F - 3" 202 lb
- P2) 48" - ECC CONE w/ 24" HOLE NO STEP F/G - 42" 3000 lb
- P1) 48" - MH BASE T/n - 36" 3782 lb
- 1) JOINT WRAP PRIMER - CONSEAL CS-75 (1 gal.) 0 lb
- 1) JOINT WRAP - 0.065"x6"x50' CONSEAL CS212 0 lb
- 1) 48" - MH INVERT CHANNEL - FULL HEIGHT 1440 lb
- 1) CASTING - HOE MC-375 F/C GMWSS 271 lb
- 1) 48" - DBL 1"x14.5' Butyl (2x) 0 lb
- 2) A-Lok - 0285 2 lb

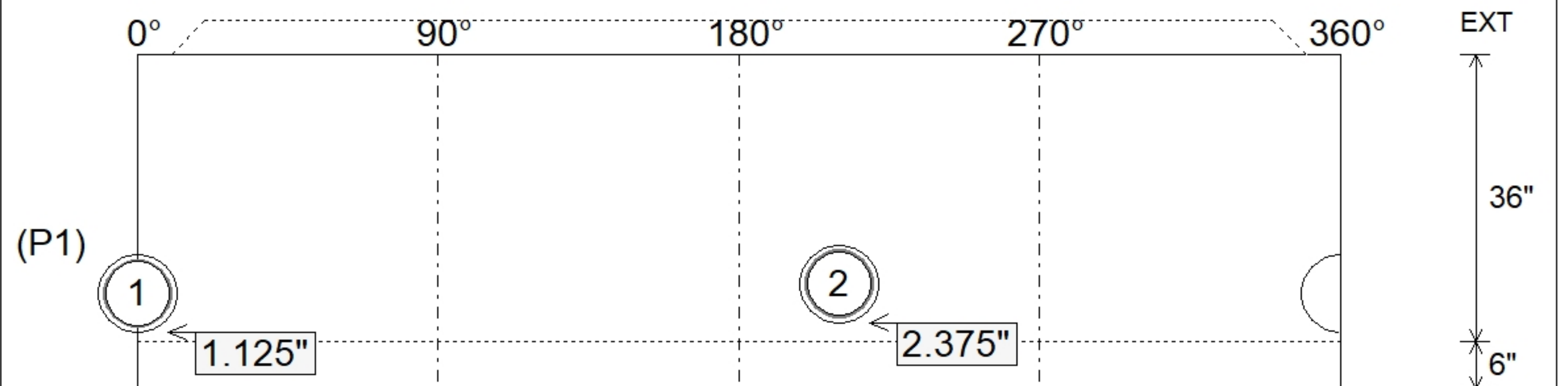
Structure Total: 8698 lb



Position	Elev	Angle	Pipe	Pipe OD	Hole	Connector	Up (")	Ref
Rim	875.84'							
Reducer								
Invert 1	868.49'	0°	8" PVC SDR35	8.5"	9.75"	A-Lok 0285	1.125"	P1
Invert 2	868.59'	210°	8" PVC SDR35	8.5"	9.75"	A-Lok 0285	2.375"	P1
Invert 3								
Invert 4								
Invert 5								
Invert 6								
Invert 7								
Invert 8								



**Cast (Int. Dim.) - Interior Dimensions**



Submittal Drawing  
 10/24/2025 11:59:57 AM

SUBMITTAL  
 APPROVED BY: