

**Job Name: 24-2057B The Village At Lemon Mill Sanitary**  
**Job Location: Georgetown, KY**  
**Contractor: C Squared Contracting LLC**

PC: C. Goff  
 TECH: J. Coppage  
 Plant: Beaver Dam



Structure ID: **SSMH-A2**

Spec: Sanitary  
 Type: SAN.MH  
 Size: 48"

Rim: 867.45'  
 Invert: 860.19'  
 Rim to Invert: 7.26'

Sump: 2.004"  
 Floor (Top): 860.023'  
 Floor Height: 6"

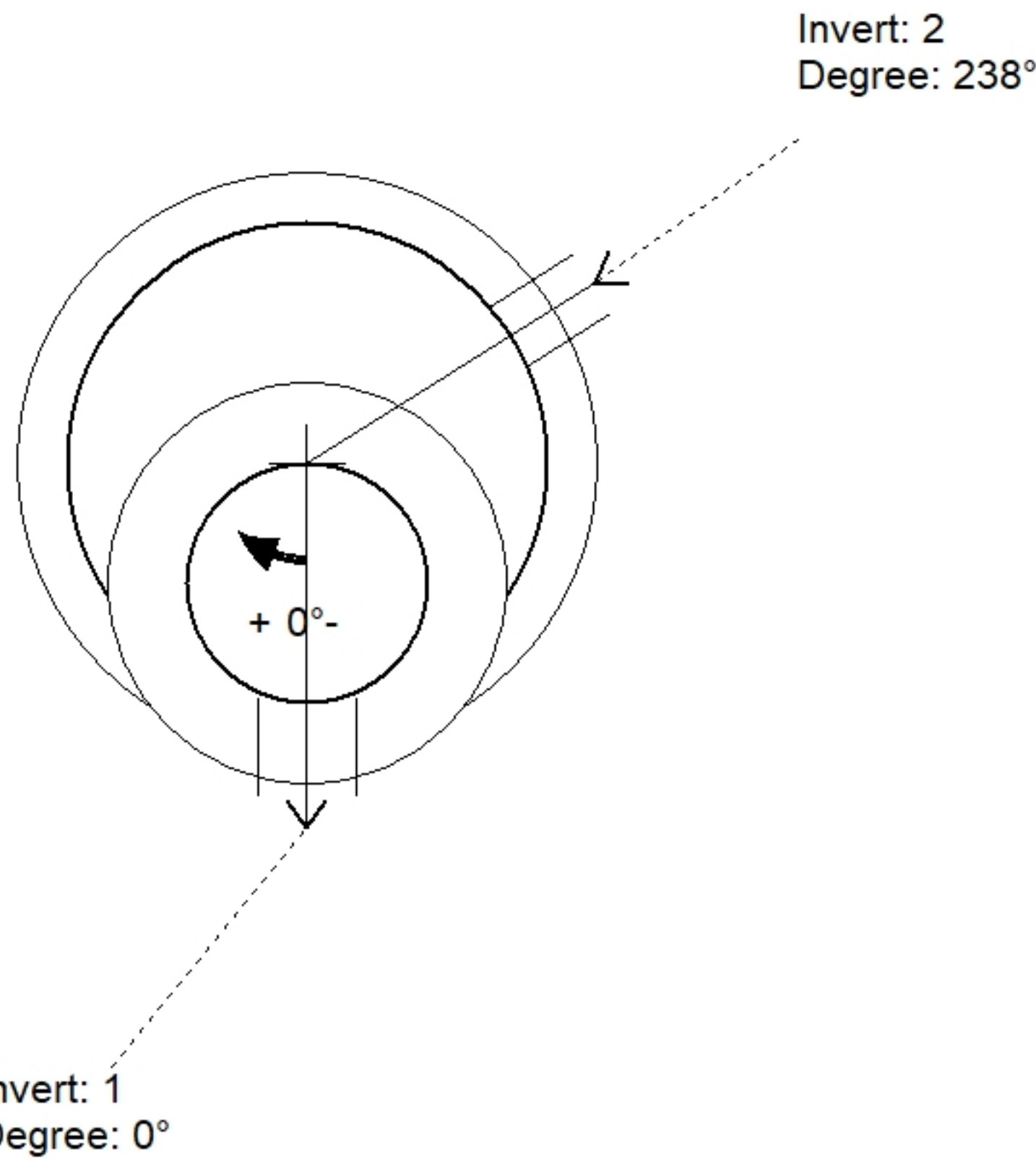
Floor (Bot): 859.523'  
 Overall Height: 7.917'  
 Slack: 0.124"

**Structure Notes:**

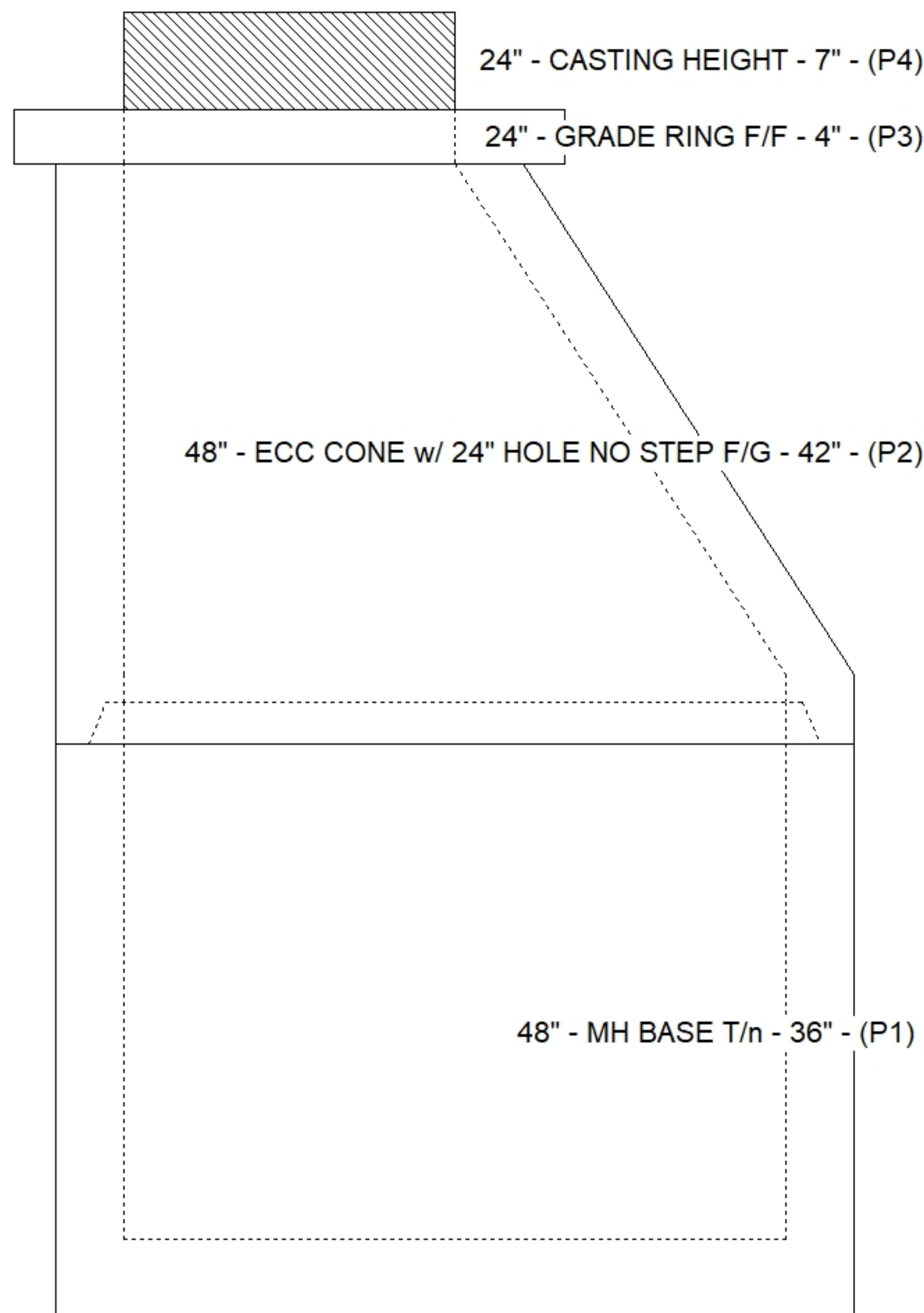
- JR HOE MC-375 GMWSS PROVIDED BY ICAST.
- PER ASTM C478 SPECIFICATIONS.
- CONCRETE = 4,000 PSI AT 28 DAYS.
- REINFORCING PER ASTM A615 (GRADE 60).  
 - CONE (As .12)  
 - RISER/WALLS (As .12)  
 - FLOOR (As .31) #5 BARS AT 12" C.C.E.W.
- \*\*NO STEPS\*\***

**STRUCTURE SUMMARY:**

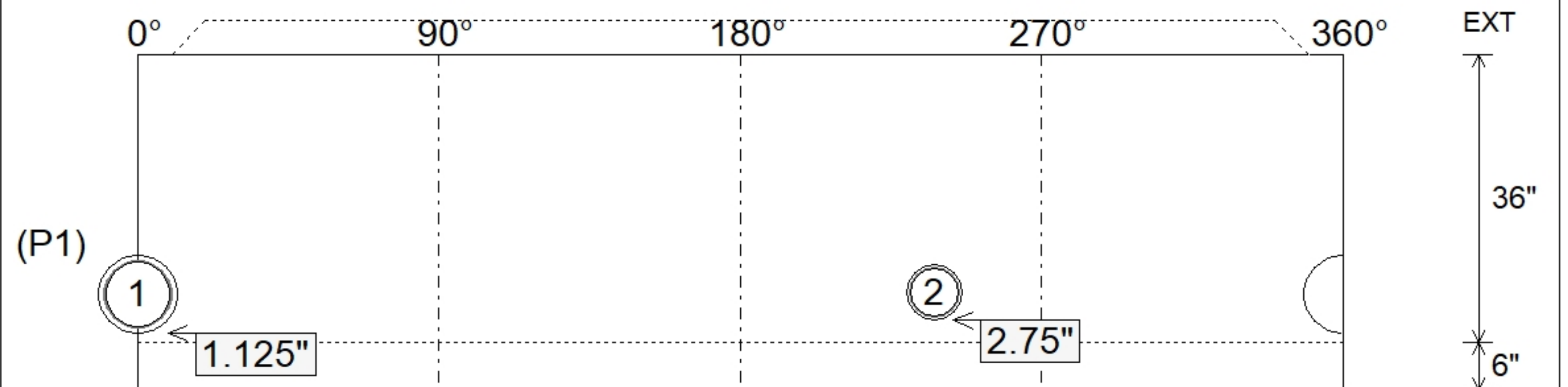
|  |                |
|--|----------------|
| P4) 24" - CASTING HEIGHT - 7"                    | 0 lb           |
| P3) 24" - GRADE RING F/F - 4"                    | 270 lb         |
| P2) 48" - ECC CONE w/ 24" HOLE NO STEP F/G - 42" | 3000 lb        |
| P1) 48" - MH BASE T/n - 36"                      | 3797 lb        |
| 1) JOINT WRAP PRIMER - CONSEAL CS-75 (1 gal.)    | 0 lb           |
| 1) JOINT WRAP - 0.065"x6"x50' CONSEAL CS212      | 0 lb           |
| 1) 48" - MH INVERT CHANNEL - FULL HEIGHT         | 1440 lb        |
| 1) CASTING - HOE MC-375 F/C GMWSS                | 271 lb         |
| 1) 48" - DBL 1"x14.5' Butyl (2x)                 | 0 lb           |
| 1) A-Lok - 0285                                  | 1 lb           |
| 1) A-Lok - 0200                                  | 1 lb           |
| <b>Structure Total:</b>                          | <b>8780 lb</b> |



| Position | Elev    | Angle | Pipe         | Pipe OD | Hole  | Connector  | Up (") | Ref |
|----------|---------|-------|--------------|---------|-------|------------|--------|-----|
| Rim      | 867.45' |       |              |         |       |            |        |     |
| Reducer  |         |       |              |         |       |            |        |     |
| Invert 1 | 860.19' | 0°    | 8" PVC SDR35 | 8.5"    | 9.75" | A-Lok 0285 | 1.125" | P1  |
| Invert 2 | 860.29' | 238°  | 6" PVC SDR35 | 6.25"   | 7"    | A-Lok 0200 | 2.75"  | P1  |
| Invert 3 |         |       |              |         |       |            |        |     |
| Invert 4 |         |       |              |         |       |            |        |     |
| Invert 5 |         |       |              |         |       |            |        |     |
| Invert 6 |         |       |              |         |       |            |        |     |
| Invert 7 |         |       |              |         |       |            |        |     |
| Invert 8 |         |       |              |         |       |            |        |     |



**Cast (Int. Dim.) - Interior Dimensions**



Submittal Drawing  
 10/24/2025 11:59:58 AM

SUBMITTAL  
 APPROVED BY: