

Job Name: 24-2057B The Village At Lemon Mill Sanitary
Job Location: Georgetown, KY
Contractor: C Squared Contracting LLC

PC: C. Goff
 TECH: J. Coppage
 Plant: Beaver Dam



Structure ID: **SSMH-A1-1**

Spec: Sanitary
 Type: SAN.MH
 Size: 48"

Rim: 862.6'
 Invert: 854.46'
 Rim to Invert: 8.14'

Sump: 2.004"
 Floor (Top): 854.293'
 Floor Height: 6"

Floor (Bot): 853.793'
 Overall Height: 8.583'
 Slack: 2.684"

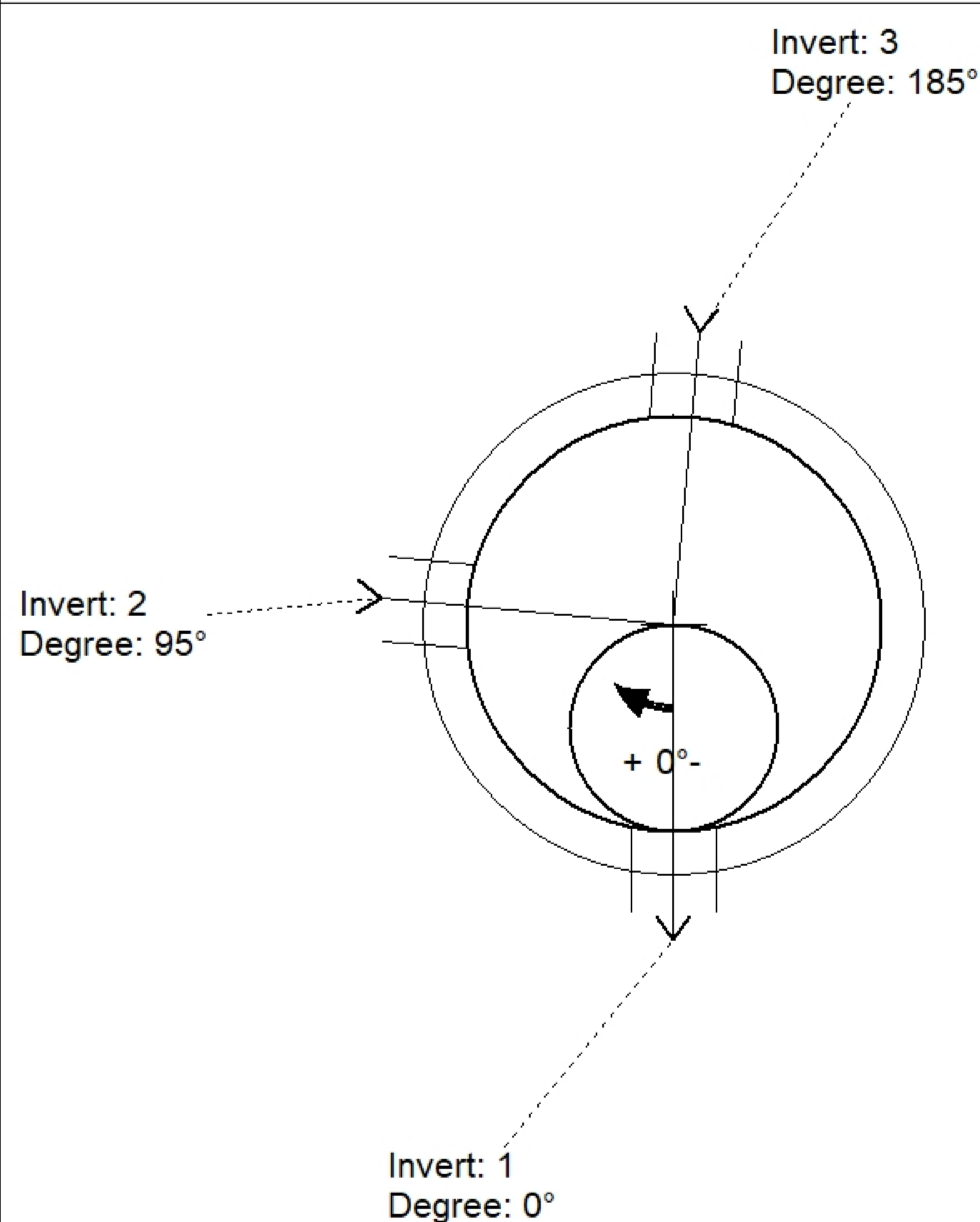
Structure Notes:

1. JR HOE MC-375 GMWSS PROVIDED BY ICAST.
2. PER ASTM C478 SPECIFICATIONS.
3. CONCRETE = 4,000 PSI AT 28 DAYS.
4. REINFORCING PER ASTM A615 (GRADE 60).
 - CONE (As .12)
 - RISER/WALLS (As .12)
 - FLOOR (As .31) #5 BARS AT 12" C.C.E.W.
5. ****NO STEPS****

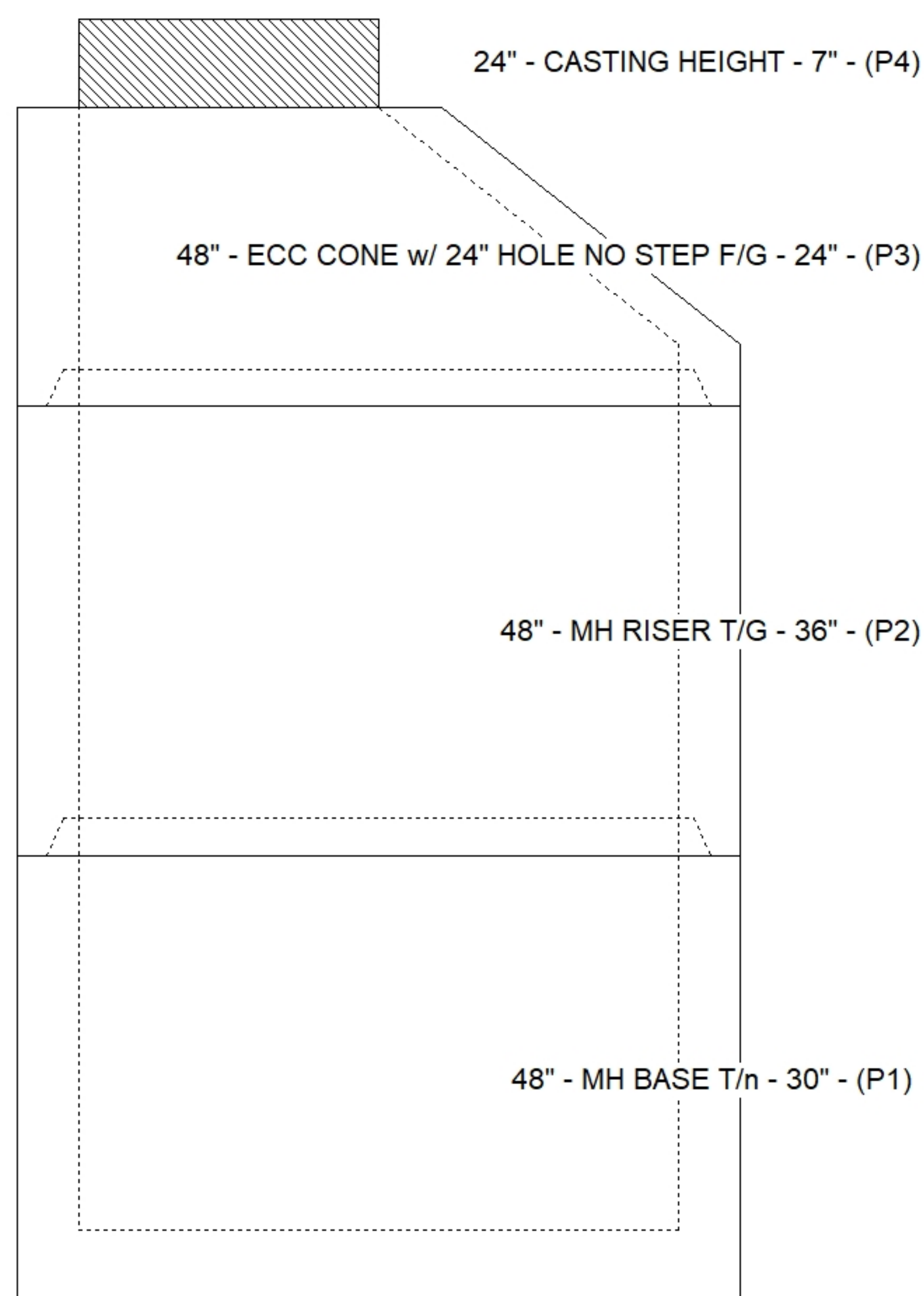
STRUCTURE SUMMARY:

- P4) 24" - CASTING HEIGHT - 7" 0 lb
- P3) 48" - ECC CONE w/ 24" HOLE NO STEP F/G - 24" 1550 lb
- P2) 48" - MH RISER T/G - 36" 2515 lb
- P1) 48" - MH BASE T/n - 30" 3331 lb
- 1) JOINT WRAP PRIMER - CONSEAL CS-75 (1 gal.) 0 lb
- 1) JOINT WRAP - 0.065"x6"x50' CONSEAL CS212 0 lb
- 1) 48" - MH INVERT CHANNEL - FULL HEIGHT 1440 lb
- 1) CASTING - HOE MC-375 F/C GMWSS 271 lb
- 2) 48" - DBL 1"x14.5' Butyl (2x) 0 lb
- 3) A-Lok - 0285 3 lb

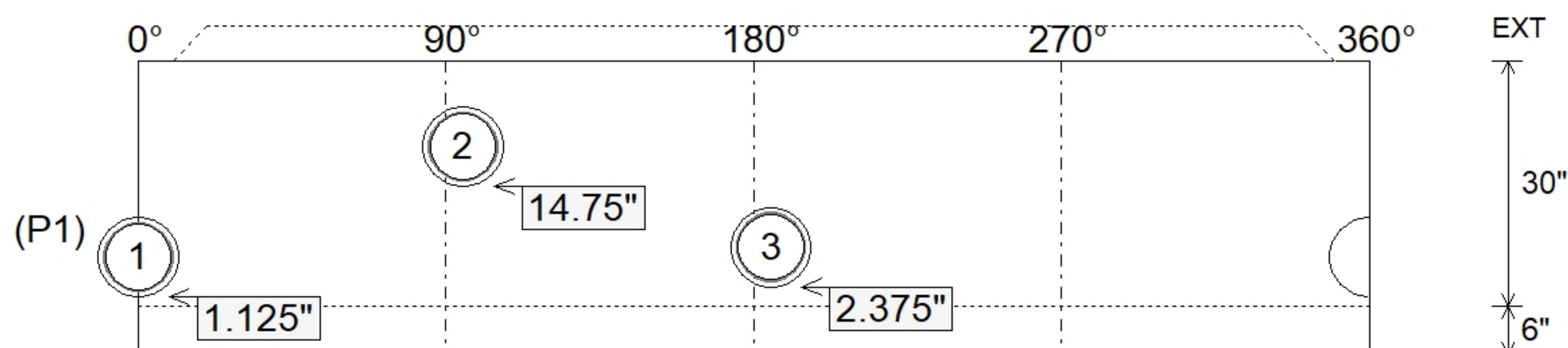
Structure Total: 9110 lb



Position	Elev	Angle	Pipe	Pipe OD	Hole	Connector	Up (")	Ref
Rim	862.6'							
Reducer								
Invert 1	854.46'	0°	8" PVC SDR35	8.5"	9.75"	A-Lok 0285	1.125"	P1
Invert 2	855.59'	95°	8" PVC SDR35	8.5"	9.75"	A-Lok 0285	14.75"	P1
Invert 3	854.56'	185°	8" PVC SDR35	8.5"	9.75"	A-Lok 0285	2.375"	P1
Invert 4								
Invert 5								
Invert 6								
Invert 7								
Invert 8								



Cast (Int. Dim.) - Interior Dimensions



Submittal Drawing
 10/24/2025 11:59:56 AM

SUBMITTAL
 APPROVED BY: