

**Job Name: 24-2057B The Village At Lemon Mill Sanitary**  
**Job Location: Georgetown, KY**  
**Contractor: C Squared Contracting LLC**

PC: C. Goff  
 TECH: J. Coppage  
 Plant: Beaver Dam



Structure ID: **SSMH-A1**

Spec: Sanitary  
 Type: SAN.MH Transition  
 Size: 60"

Rim: 863.03'  
 Invert: 853.65'  
 Rim to Invert: 9.38'

Sump: 2.004"  
 Floor (Top): 853.483'  
 Floor Height: 8"

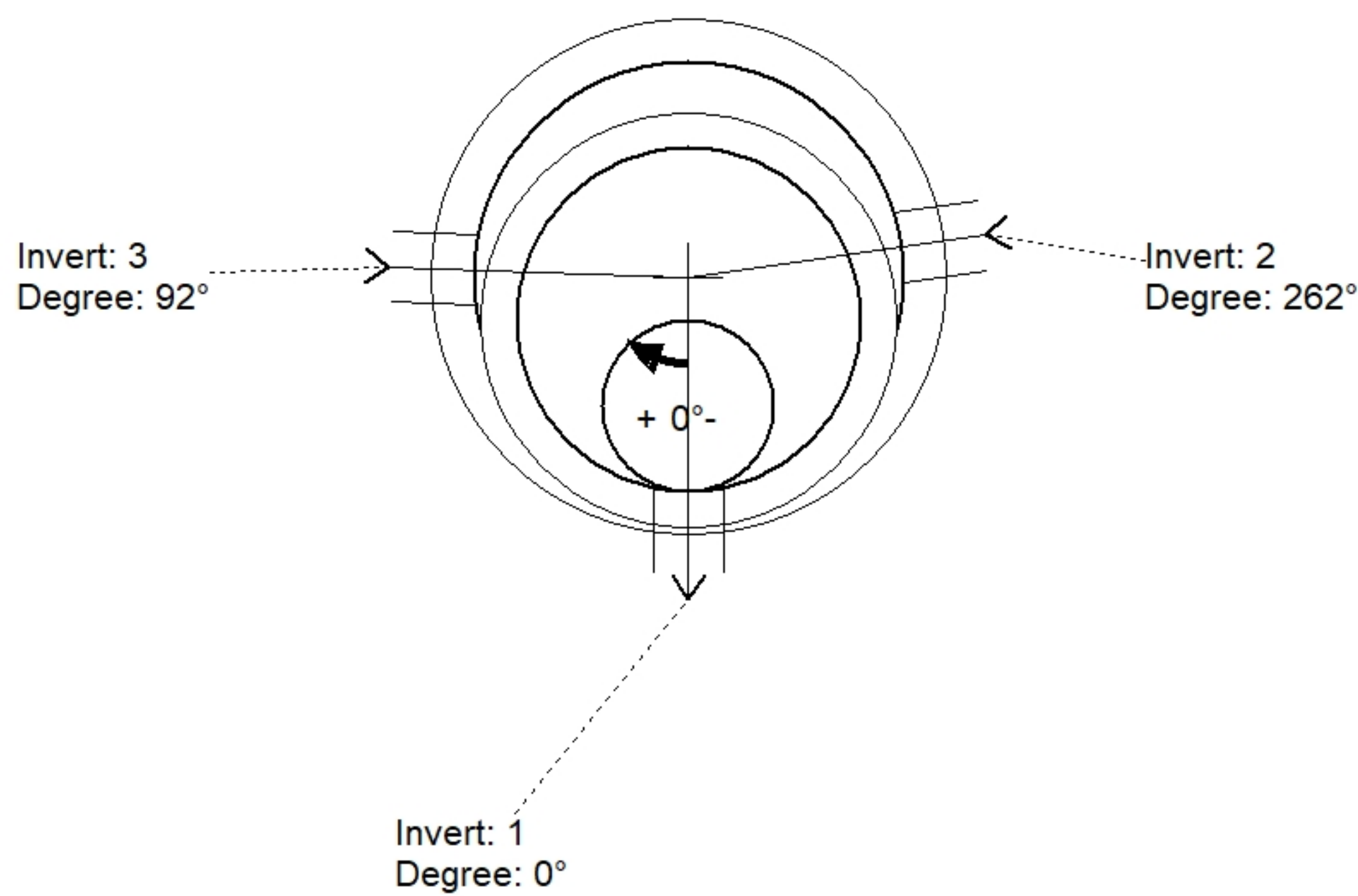
Floor (Bot): 852.816'  
 Overall Height: 10.167'  
 Slack: 0.564"

**Structure Notes:**

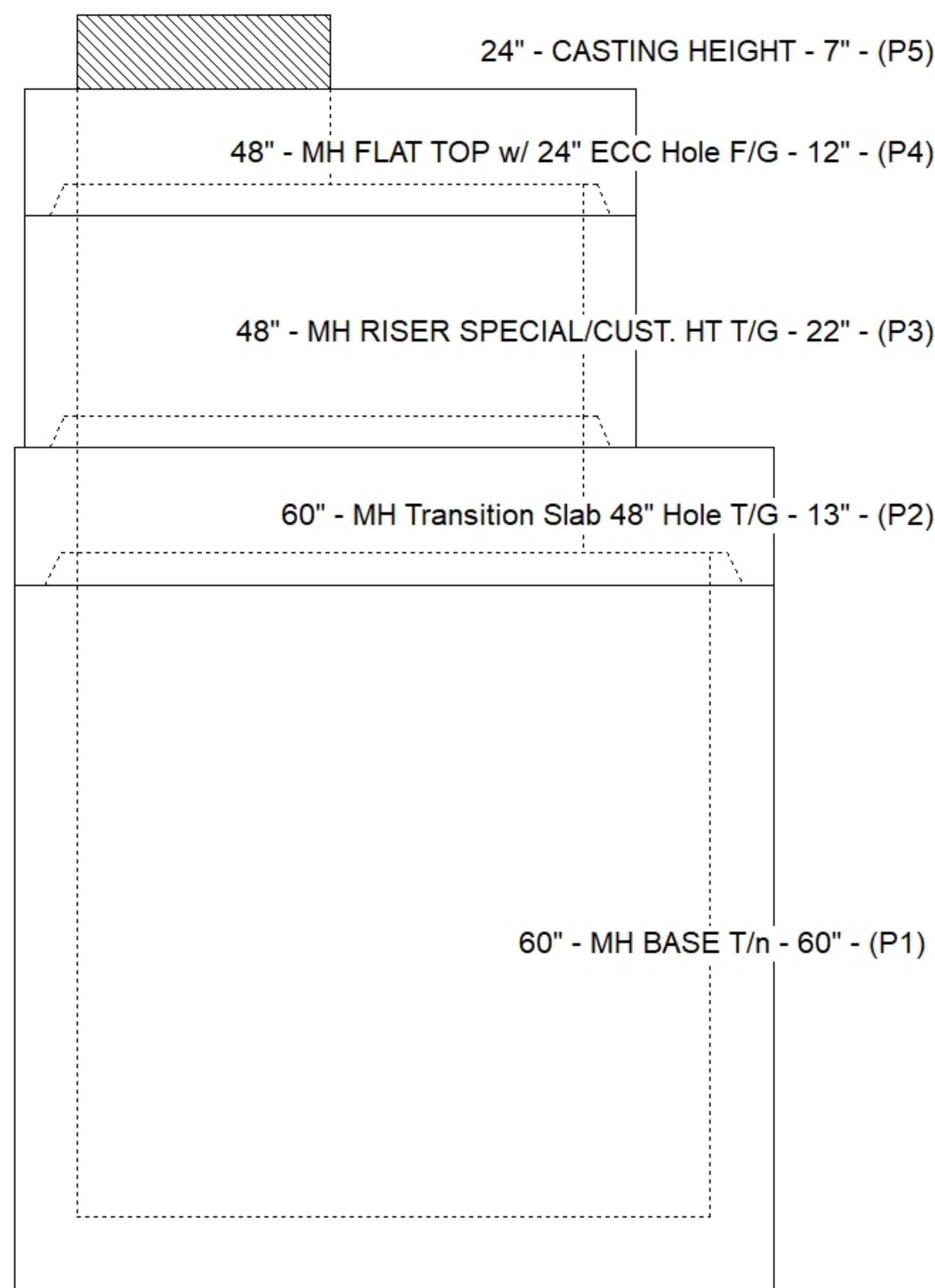
- JR HOE MC-375 GMWSS PROVIDED BY ICAST.
- PER ASTM C478 SPECIFICATIONS.
- CONCRETE = 4,000 PSI AT 28 DAYS.
- REINFORCING PER ASTM A615 (GRADE 60).  
 - CONE (As .12)  
 - TRANS SLAB (As .62) #5 BARS AT 6" C.C.E.W.  
 - RISER/WALLS (As .18)  
 - FLOOR (As .31) #5 BARS AT 12" C.C.E.W.
- \*\*NO STEPS\*\***
- INTERNAL DROP BY OTHERS

**STRUCTURE SUMMARY:**

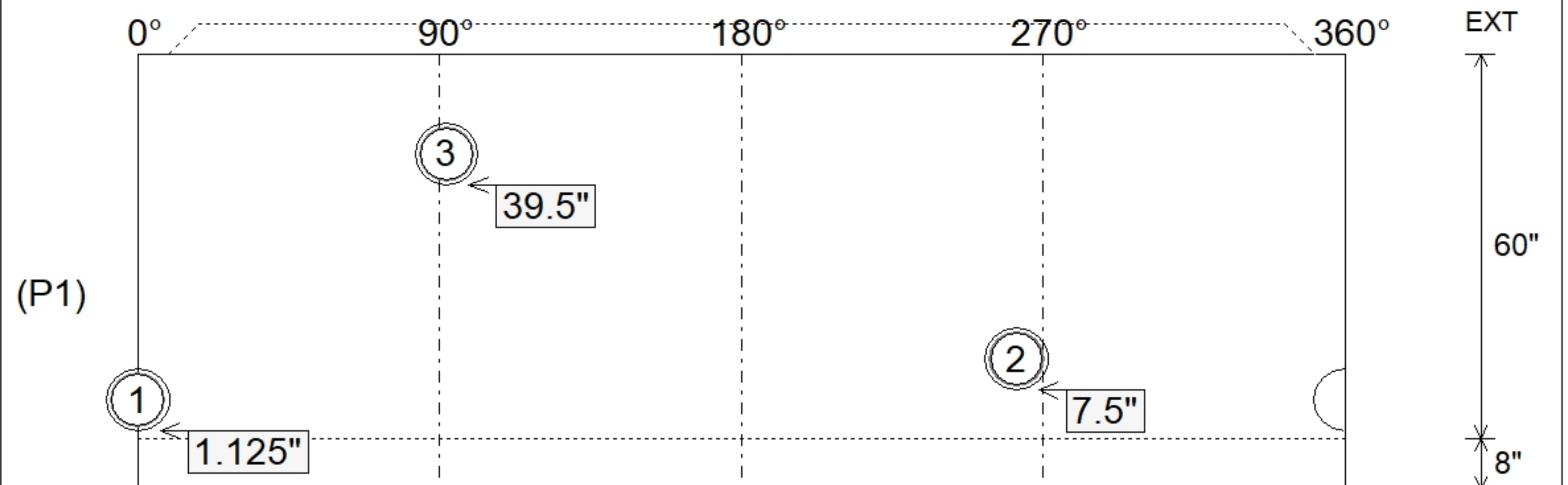
P5) 24" - CASTING HEIGHT - 7"	0 lb
P4) 48" - MH FLAT TOP w/ 24" ECC Hole F/G - 12"	1561 lb
P3) 48" - MH RISER SPECIAL/CUST. HT T/G - 22"	1537 lb
P2) 60" - MH Transition Slab 48" Hole T/G - 13"	1928 lb
P1) 60" - MH BASE T/n - 60"	8884 lb
1) JOINT WRAP - 0.065"x6"x50' CONSEAL CS212	0 lb
1) JOINT WRAP PRIMER - CONSEAL CS-75 (1 gal.)	0 lb
1) 60" - MH INVERT CHANNEL - FULL HEIGHT	2692 lb
1) CASTING - HOE MC-375 F/C GMWSS	271 lb
1) 60" - DBL 1"x14.5' Butyl (2x)	0 lb
2) 48" - DBL 1"x14.5' Butyl (2x)	0 lb
3) A-Lok - 0285	3 lb
<b>Structure Total:</b>	<b>16875 lb</b>



Position	Elev	Angle	Pipe	Pipe OD	Hole	Connector	Up (")	Ref
Rim	863.03'							
Reducer	858.483'							
Invert 1	853.65'	0°	8" PVC SDR35	8.5"	9.75"	A-Lok 0285	1.125"	P1
Invert 2	854.18'	262°	8" PVC SDR35	8.5"	9.75"	A-Lok 0285	7.5"	P1
Invert 3	856.85'	92°	8" PVC SDR35	8.5"	9.75"	A-Lok 0285	39.5"	P1
Invert 4								
Invert 5								
Invert 6								
Invert 7								
Invert 8								



**Cast (Int. Dim.) - Interior Dimensions**



Submittal Drawing  
 10/24/2025 11:59:54 AM

SUBMITTAL  
 APPROVED BY: