

Job Name: 24-2057B The Village At Lemon Mill Sanitary [Test Copy]
Job Location: Georgetown, KY
Contractor: C Squared Contracting LLC

PC: C. Goff
 TECH: J. Coppage
 Plant: Beaver Dam

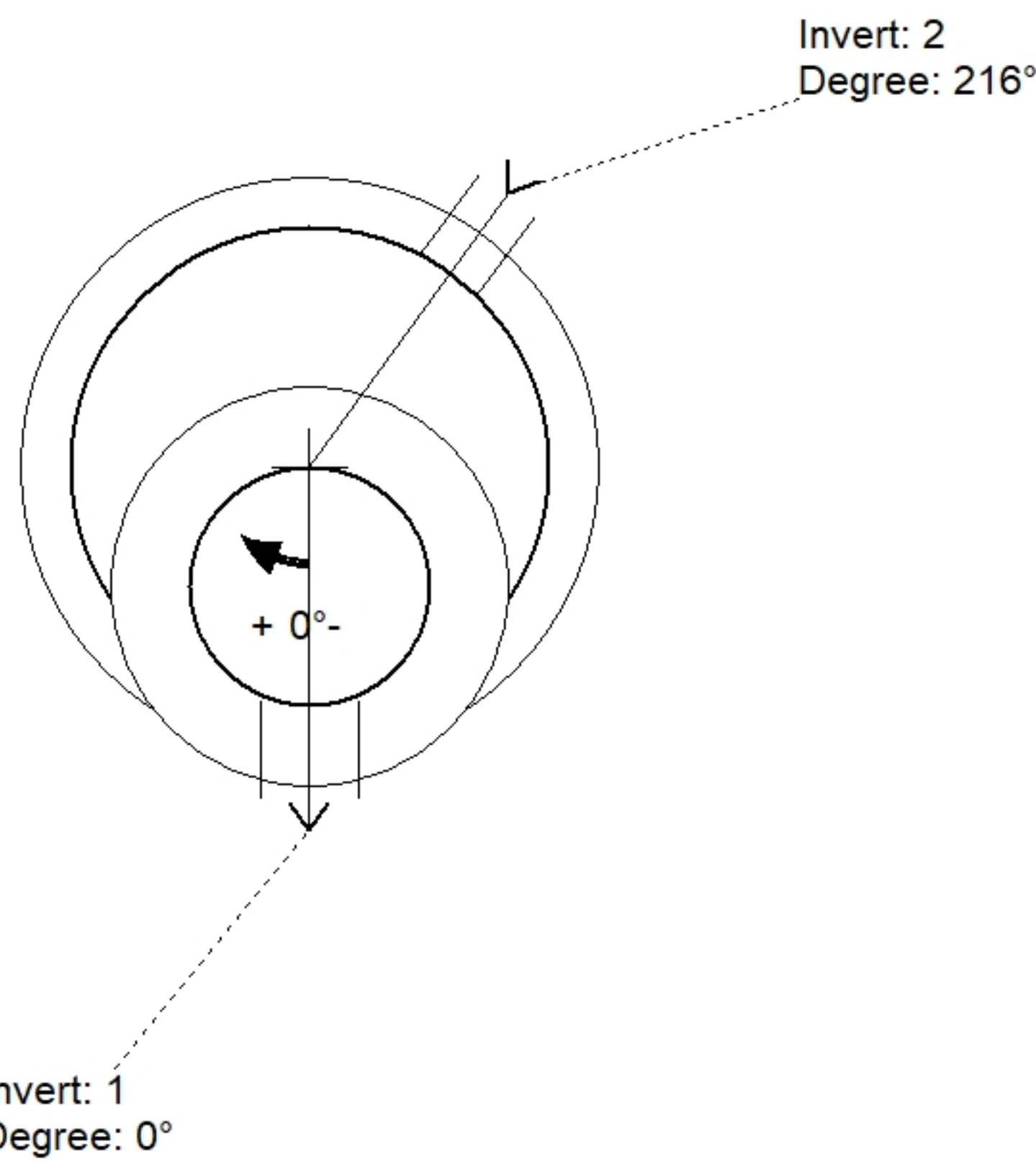


Structure ID: **SSMH-B3**
 Spec: Sanitary Rim: 876.26' Sump: 2.004" Floor (Bot): 869.333'
 Type: SAN.MH Invert: 870' Floor (Top): 869.833' Overall Height: 6.833'
 Size: 48" Rim to Invert: 6.26' Floor Height: 6" Slack: 1.124"

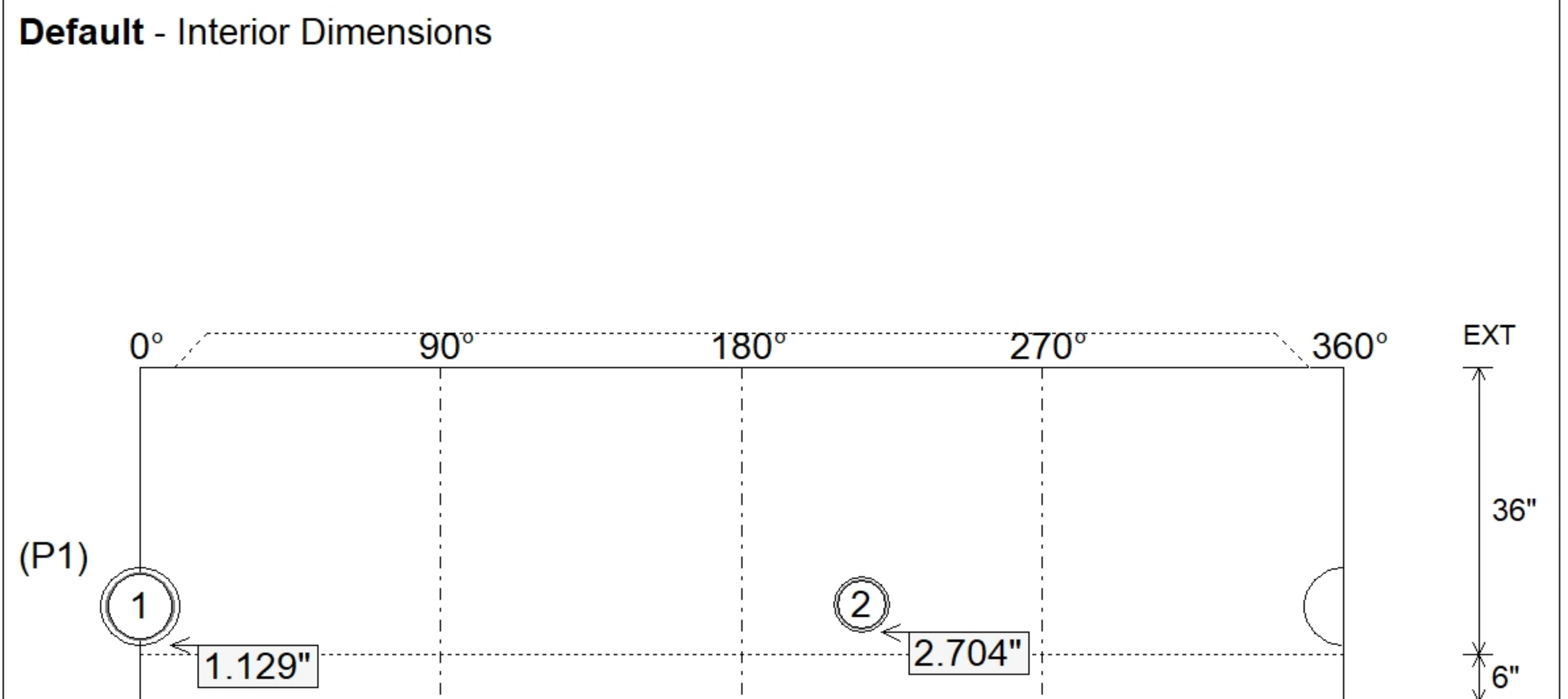
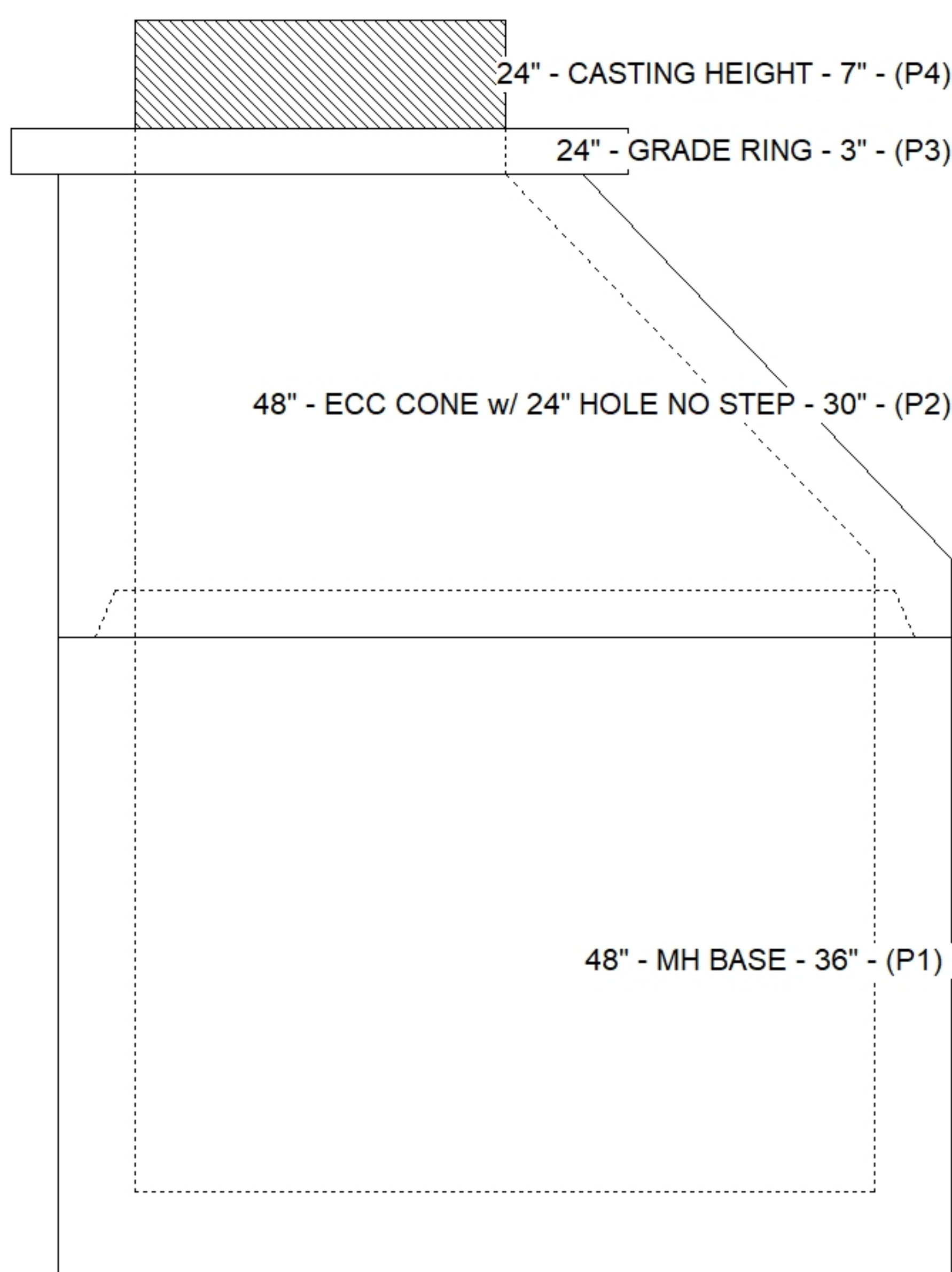
- Structure Notes:**
- JR HOE MC-375 GMWSS PROVIDED BY ICAST.
 - PER ASTM C478 SPECIFICATIONS.
 - CONCRETE = 4,000 PSI AT 28 DAYS.
 - REINFORCING PER ASTM A615 (GRADE 60).
 - CONE (As .12)
 - RISER/WALLS (As .12)
 - FLOOR (As .31) #5 BARS AT 12" C.C.E.W.
 - **NO STEPS****

STRUCTURE SUMMARY:

P4) 24" - CASTING HEIGHT - 7"	0 lb
P3) 24" - GRADE RING - 3"	202 lb
P2) 48" - ECC CONE w/ 24" HOLE NO STEP - 30"	2050 lb
P1) 48" - MH BASE - 36"	3797 lb
1) JOINT WRAP PRIMER - CONSEAL CS-75 (1 gal.)	0 lb
1) JOINT WRAP - 0.065"x6"x50' CONSEAL CS212	0 lb
1) 48" - MH INVERT CHANNEL - FULL HEIGHT	1440 lb
1) CASTING - HOE MC-375 F/C GMWSS	271 lb
1) 48" - DBL 1"x14.5' Butyl (2x)	0 lb
1) A-Lok - 0285	1 lb
1) A-Lok - 0200	1 lb
Structure Total:	7763 lb



Position	Elev	Angle	Pipe	Pipe OD	Hole	Connector	Up (")	Ref
Rim	876.26'							
Reducer								
Invert 1	870'	0°	8" PVC SDR35	8.5"	9.75"	A-Lok 0285	1.129"	P1
Invert 2	870.1'	216°	6" PVC SDR35	6.25"	7"	A-Lok 0200	2.704"	P1
Invert 3								
Invert 4								
Invert 5								
Invert 6								
Invert 7								
Invert 8								



Submittal Drawing
 10/17/2025 2:07:32 PM

SUBMITTAL
 APPROVED BY: