

Job Name: 24-2057B The Village At Lemon Mill Sanitary [Test Copy]
Job Location: Georgetown, KY
Contractor: C Squared Contracting LLC

PC: C. Goff
 TECH: J. Coppage
 Plant: Beaver Dam



Structure ID: **SSMH-B2**

Spec: Sanitary
 Type: SAN.MH
 Size: 48"

Rim: 875.84'
 Invert: 868.49'
 Rim to Invert: 7.35'

Sump: 2.004"
 Floor (Top): 868.323'
 Floor Height: 6"

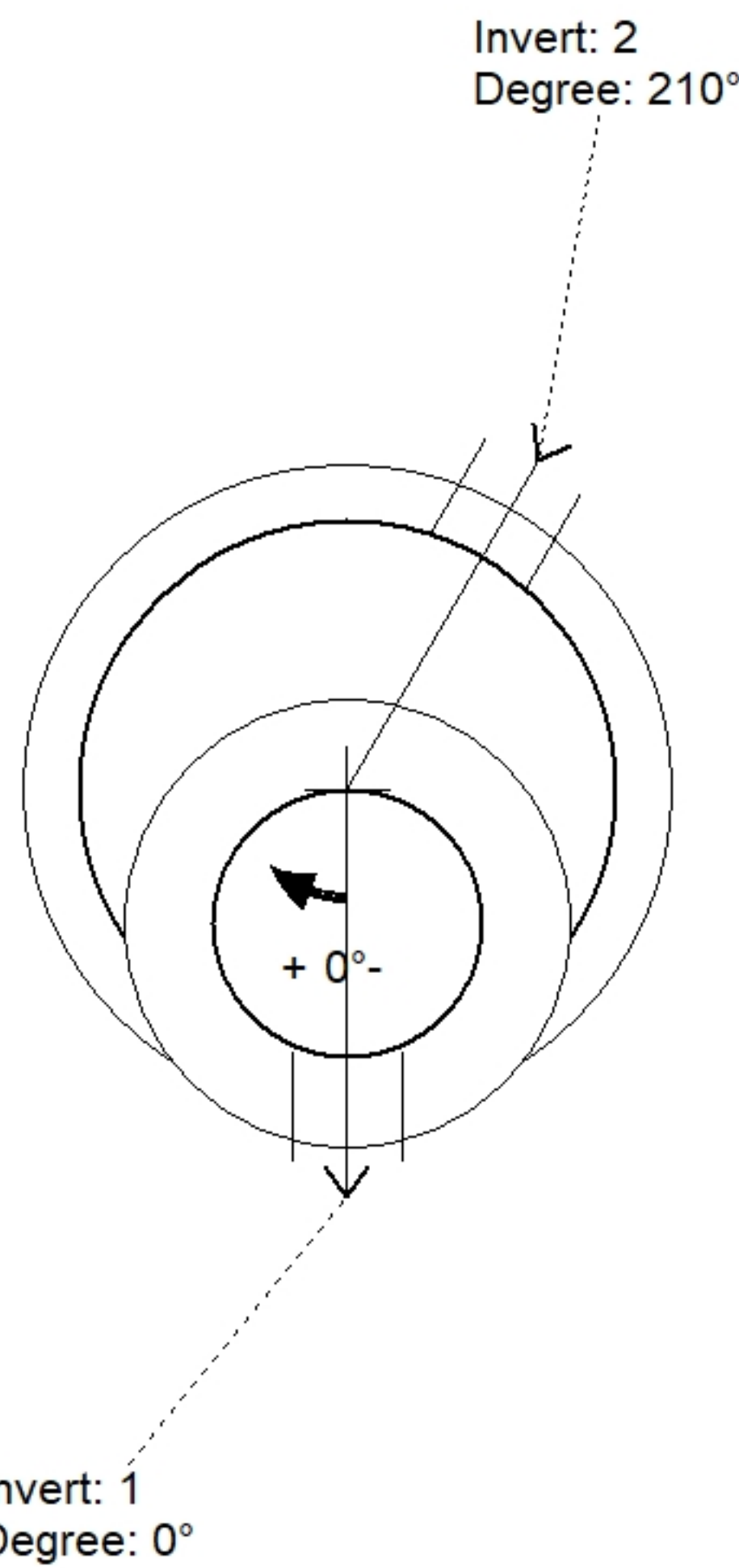
Floor (Bot): 867.823'
 Overall Height: 7.833'
 Slack: 2.204"

Structure Notes:

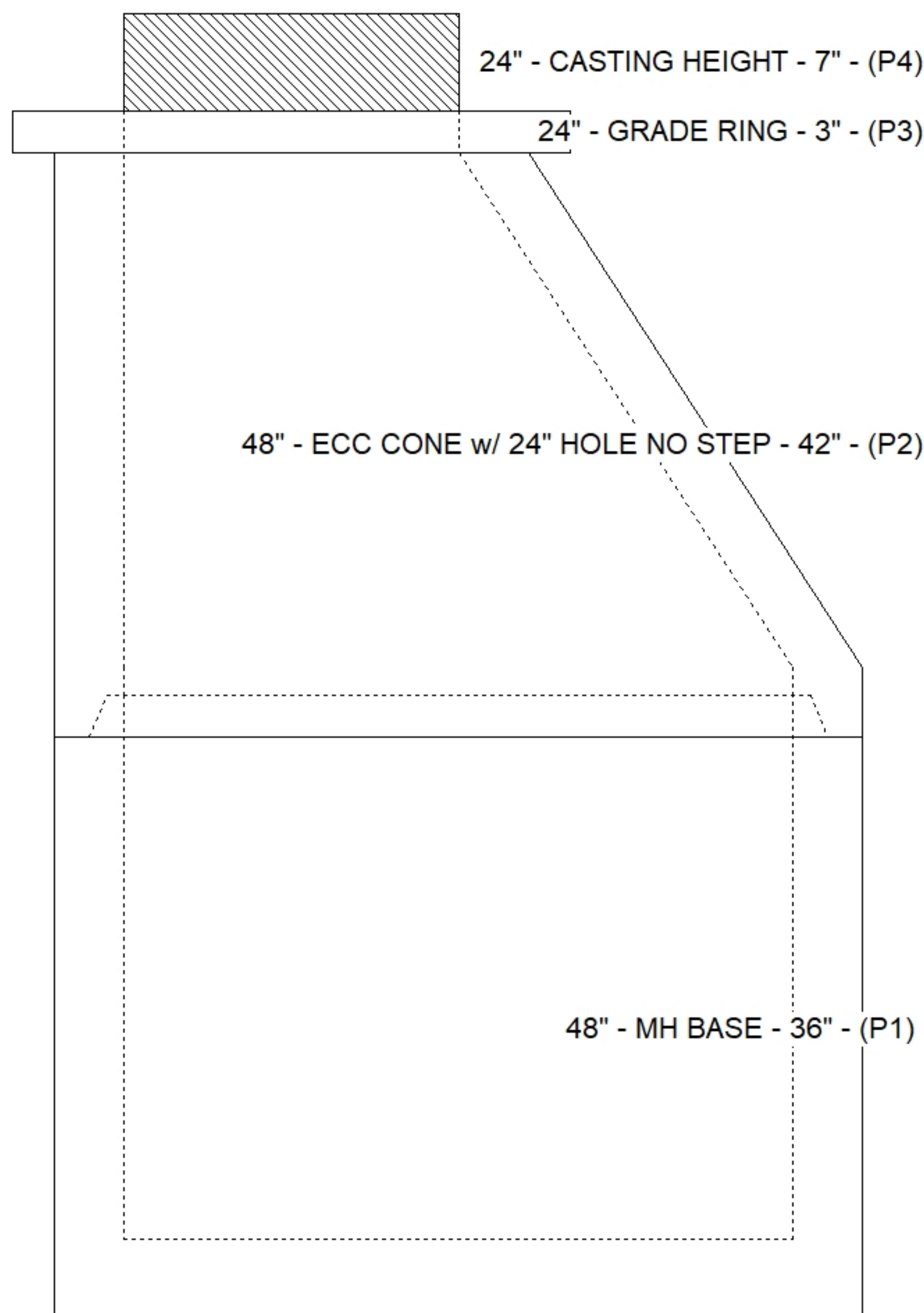
- JR HOE MC-375 GMWSS PROVIDED BY ICAST.
- PER ASTM C478 SPECIFICATIONS.
- CONCRETE = 4,000 PSI AT 28 DAYS.
- REINFORCING PER ASTM A615 (GRADE 60).
 - CONE (As .12)
 - RISER/WALLS (As .12)
 - FLOOR (As .31) #5 BARS AT 12" C.C.E.W.
- **NO STEPS****

STRUCTURE SUMMARY:

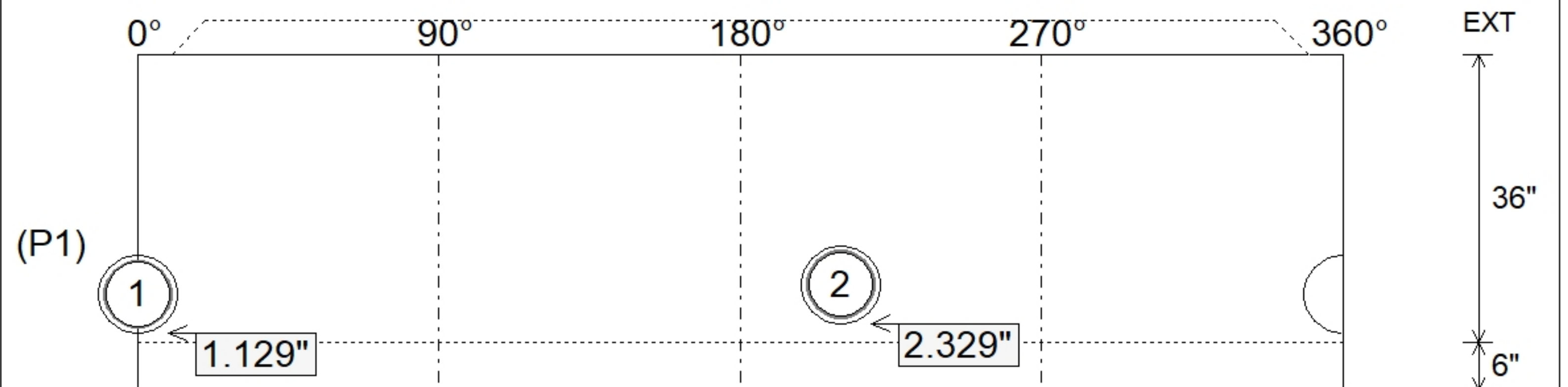
P4) 24" - CASTING HEIGHT - 7"	0 lb
P3) 24" - GRADE RING - 3"	202 lb
P2) 48" - ECC CONE w/ 24" HOLE NO STEP - 42"	3000 lb
P1) 48" - MH BASE - 36"	3782 lb
1) JOINT WRAP PRIMER - CONSEAL CS-75 (1 gal.)	0 lb
1) JOINT WRAP - 0.065"x6"x50' CONSEAL CS212	0 lb
1) 48" - MH INVERT CHANNEL - FULL HEIGHT	1440 lb
1) CASTING - HOE MC-375 F/C GMWSS	271 lb
1) 48" - DBL 1"x14.5' Butyl (2x)	0 lb
2) A-Lok - 0285	2 lb
Structure Total:	8698 lb



Position	Elev	Angle	Pipe	Pipe OD	Hole	Connector	Up (")	Ref
Rim	875.84'							
Reducer								
Invert 1	868.49'	0°	8" PVC SDR35	8.5"	9.75"	A-Lok 0285	1.129"	P1
Invert 2	868.59'	210°	8" PVC SDR35	8.5"	9.75"	A-Lok 0285	2.329"	P1
Invert 3								
Invert 4								
Invert 5								
Invert 6								
Invert 7								
Invert 8								



Default - Interior Dimensions



Submittal Drawing
 10/17/2025 2:07:31 PM

SUBMITTAL
 APPROVED BY: