

**Job Name: 24-2057B The Village At Lemon Mill Sanitary [Test Copy]**  
**Job Location: Georgetown, KY**  
**Contractor: C Squared Contracting LLC**

PC: C. Goff  
 TECH: J. Coppage  
 Plant: Beaver Dam



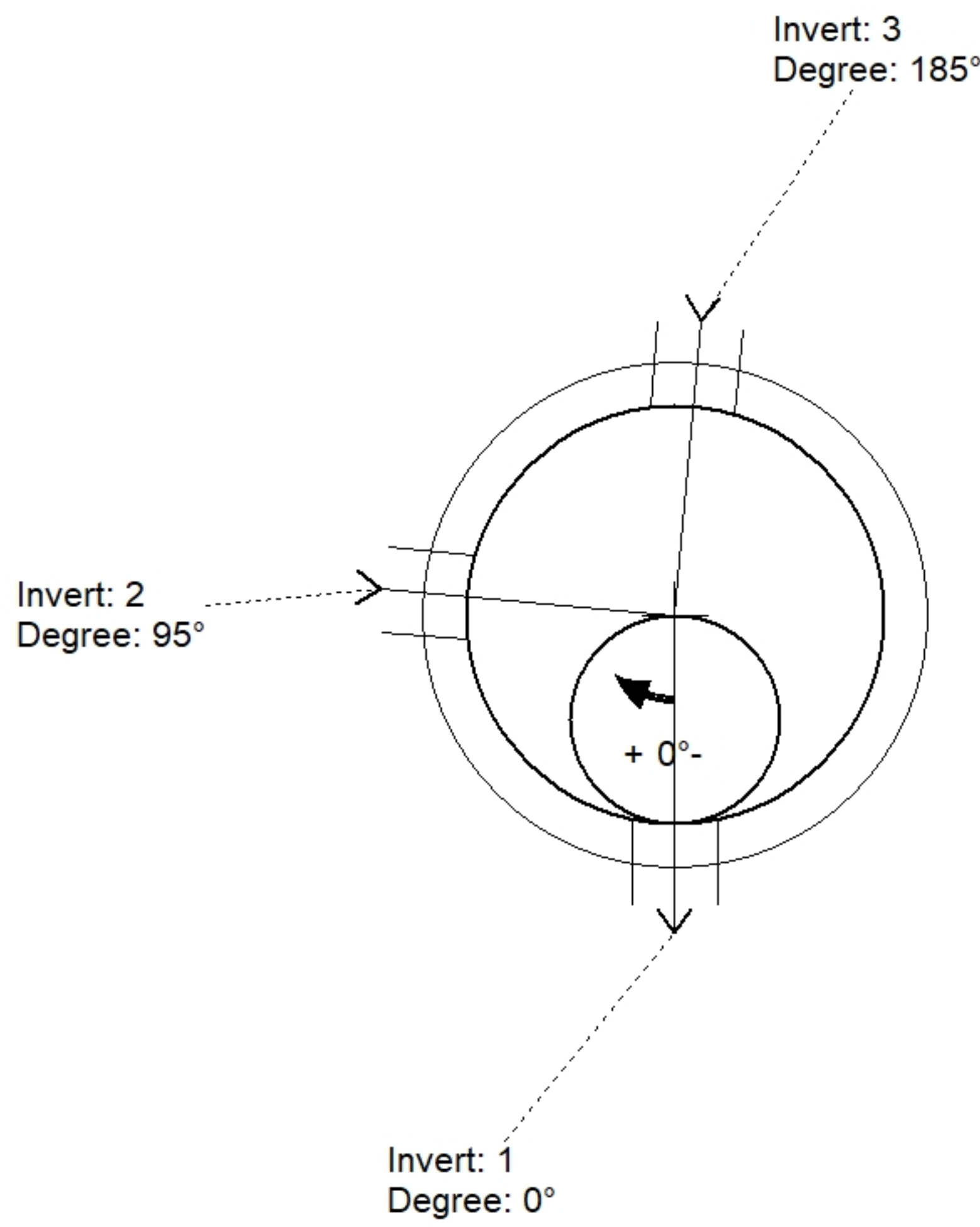
Structure ID: **SSMH-A1-1**  
 Spec: Sanitary Rim: 862.6' Sump: 2.004' Floor (Bot): 853.793'  
 Type: SAN.MH Invert: 854.46' Floor (Top): 854.293' Overall Height: 8.583'  
 Size: 48" Rim to Invert: 8.14' Floor Height: 6" Slack: 2.684"

**Structure Notes:**

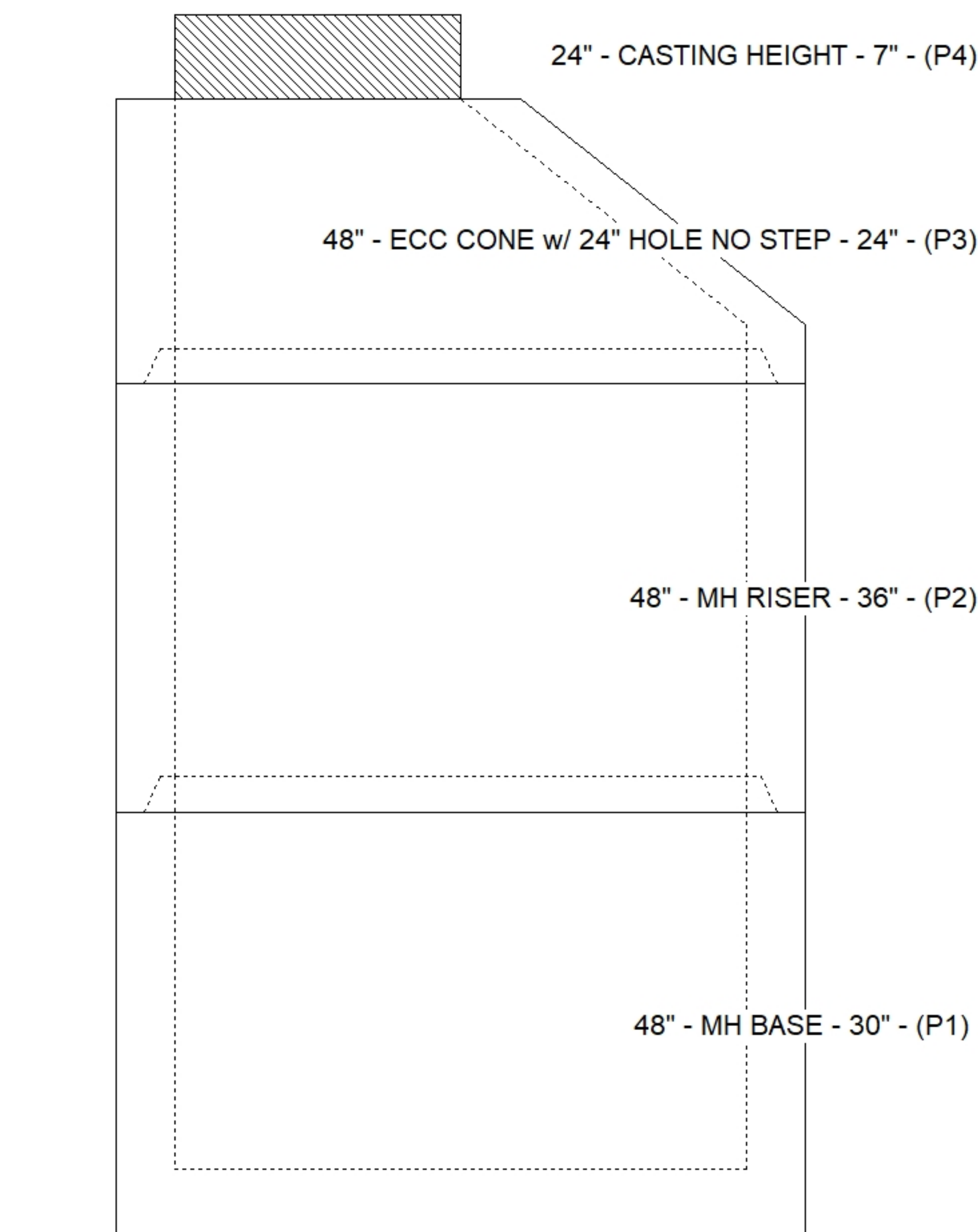
- JR HOE MC-375 GMWSS PROVIDED BY ICAST.
- PER ASTM C478 SPECIFICATIONS.
- CONCRETE = 4,000 PSI AT 28 DAYS.
- REINFORCING PER ASTM A615 (GRADE 60).  
 - CONE (As .12)  
 - RISER/WALLS (As .12)  
 - FLOOR (As .31) #5 BARS AT 12" C.C.E.W.
- \*\*NO STEPS\*\***

**STRUCTURE SUMMARY:**

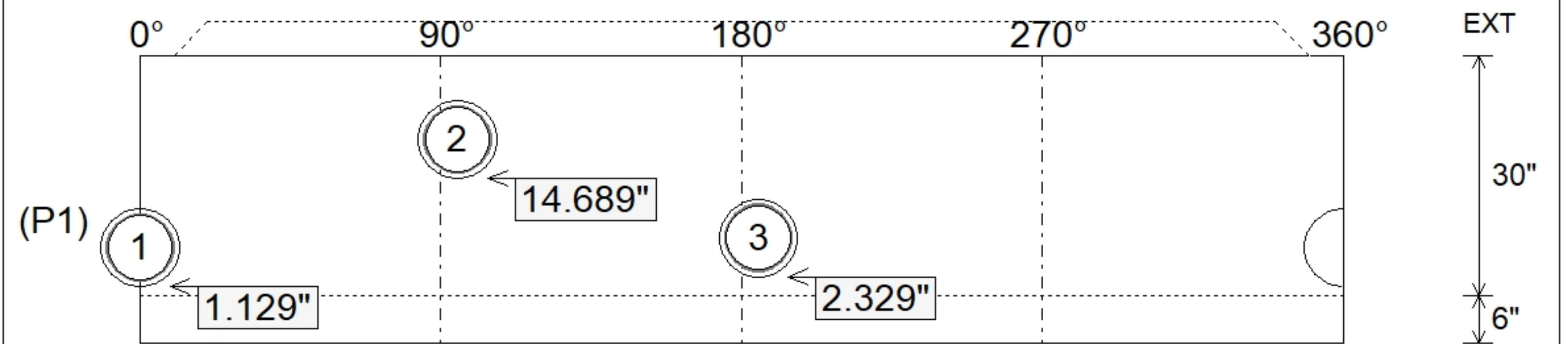
P4) 24" - CASTING HEIGHT - 7"	0 lb
P3) 48" - ECC CONE w/ 24" HOLE NO STEP - 24"	1550 lb
P2) 48" - MH RISER - 36"	2515 lb
P1) 48" - MH BASE - 30"	3331 lb
1) JOINT WRAP PRIMER - CONSEAL CS-75 (1 gal.)	0 lb
1) JOINT WRAP - 0.065"x6"x50' CONSEAL CS212	0 lb
1) 48" - MH INVERT CHANNEL - FULL HEIGHT	1440 lb
1) CASTING - HOE MC-375 F/C GMWSS	271 lb
2) 48" - DBL 1"x14.5' Butyl (2x)	0 lb
3) A-Lok - 0285	3 lb
<b>Structure Total:</b>	<b>9110 lb</b>



Position	Elev	Angle	Pipe	Pipe OD	Hole	Connector	Up (")	Ref
Rim	862.6'							
Reducer								
Invert 1	854.46'	0°	8" PVC SDR35	8.5"	9.75"	A-Lok 0285	1.129"	P1
Invert 2	855.59'	95°	8" PVC SDR35	8.5"	9.75"	A-Lok 0285	14.689"	P1
Invert 3	854.56'	185°	8" PVC SDR35	8.5"	9.75"	A-Lok 0285	2.329"	P1
Invert 4								
Invert 5								
Invert 6								
Invert 7								
Invert 8								



**Default - Interior Dimensions**



Submittal Drawing  
 10/17/2025 2:07:30 PM

SUBMITTAL  
 APPROVED BY: