

Job Name: 24-2057B The Village At Lemon Mill Sanitary [Test Copy]
Job Location: Georgetown, KY
Contractor: C Squared Contracting LLC

PC: C. Goff
 TECH: J. Coppage
 Plant: Beaver Dam



Structure ID: **SSMH-A1**

Spec: Sanitary
 Type: SAN.MH Transition
 Size: 60"

Rim: 863.03'
 Invert: 853.65'
 Rim to Invert: 9.38'

Sump: 2.004"
 Floor (Top): 853.483'
 Floor Height: 8"

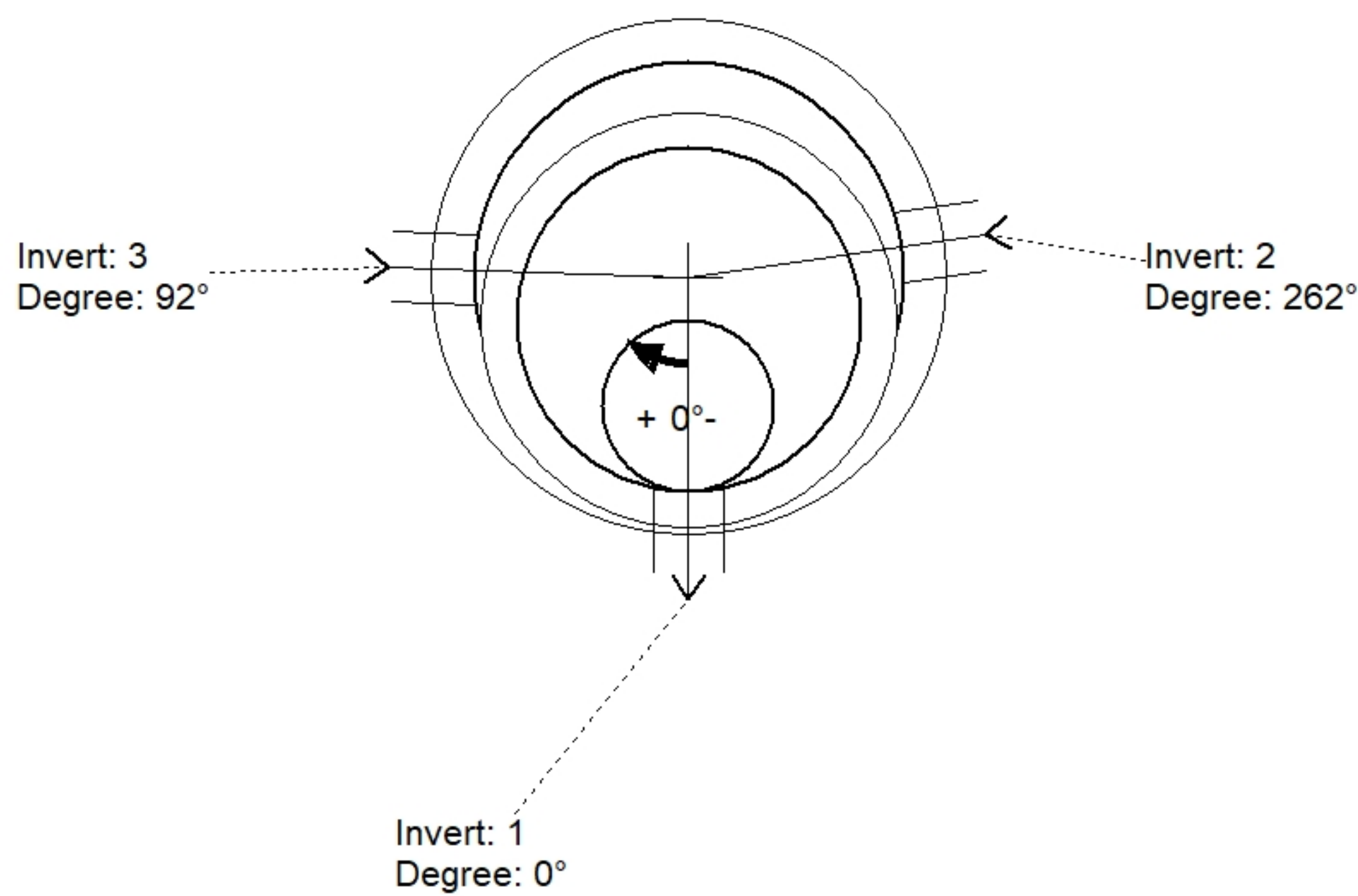
Floor (Bot): 852.816'
 Overall Height: 10.167'
 Slack: 0.564"

Structure Notes:

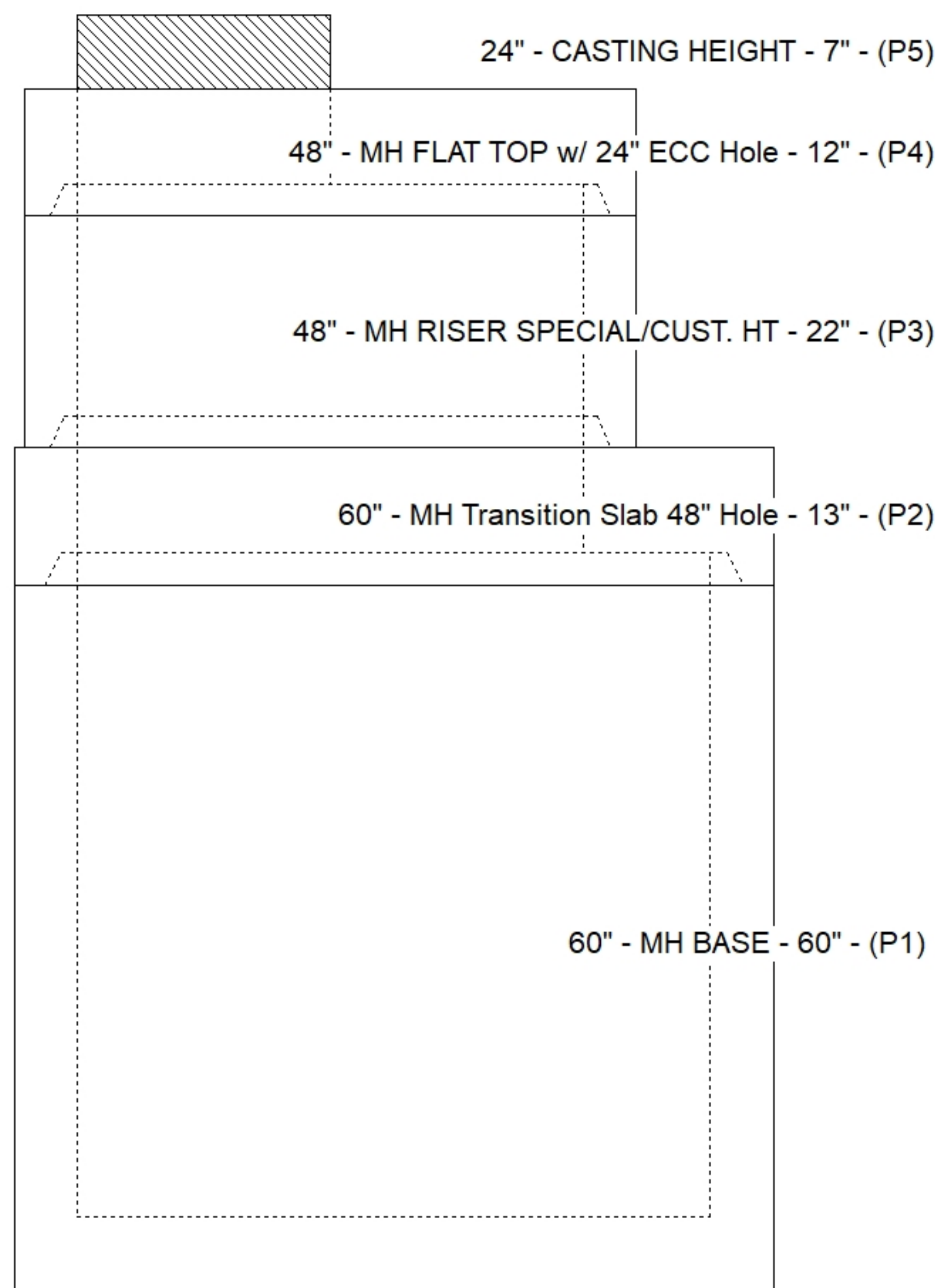
- JR HOE MC-375 GMWSS PROVIDED BY ICAST.
- PER ASTM C478 SPECIFICATIONS.
- CONCRETE = 4,000 PSI AT 28 DAYS.
- REINFORCING PER ASTM A615 (GRADE 60).
 - CONE (As .12)
 - TRANS SLAB (As .62) #5 BARS AT 6" C.C.E.W.
 - RISER/WALLS (As .18)
 - FLOOR (As .31) #5 BARS AT 12" C.C.E.W.
- **NO STEPS****
- INTERNAL DROP BY OTHERS

STRUCTURE SUMMARY:

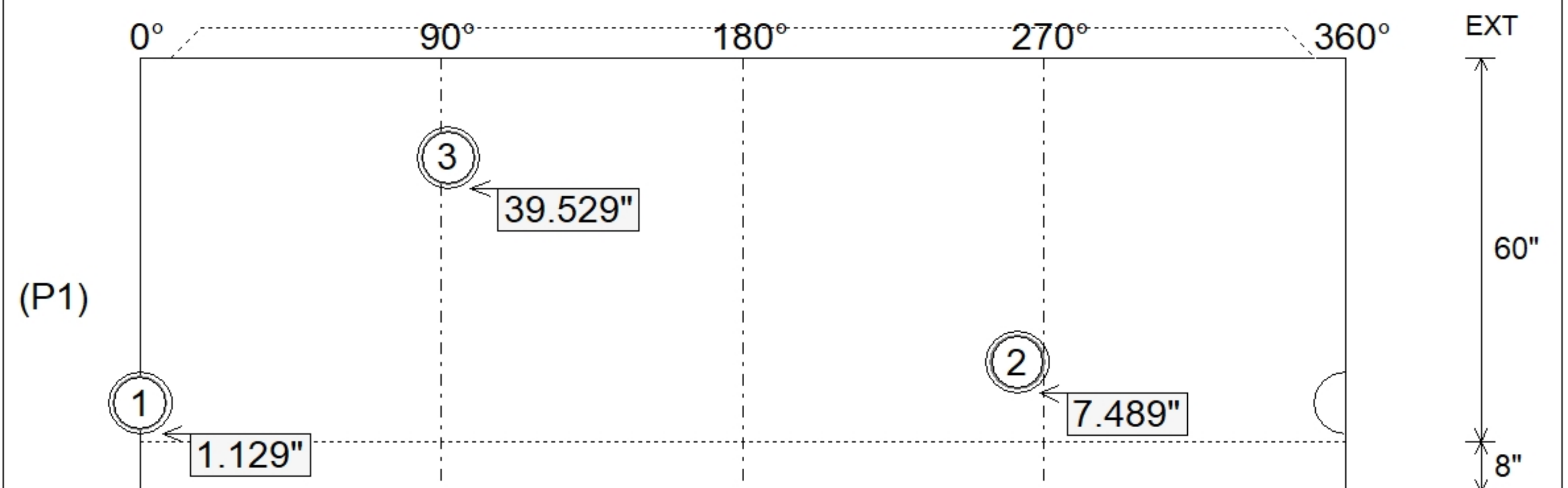
P5) 24" - CASTING HEIGHT - 7"	0 lb
P4) 48" - MH FLAT TOP w/ 24" ECC Hole - 12"	1561 lb
P3) 48" - MH RISER SPECIAL/CUST. HT - 22"	1537 lb
P2) 60" - MH Transition Slab 48" Hole - 13"	1928 lb
P1) 60" - MH BASE - 60"	8884 lb
1) JOINT WRAP - 0.065"x6"x50' CONSEAL CS212	0 lb
1) JOINT WRAP PRIMER - CONSEAL CS-75 (1 gal.)	0 lb
1) 60" - MH INVERT CHANNEL - FULL HEIGHT	2692 lb
1) CASTING - HOE MC-375 F/C GMWSS	271 lb
1) 60" - DBL 1"x14.5' Butyl (2x)	0 lb
2) 48" - DBL 1"x14.5' Butyl (2x)	0 lb
3) A-Lok - 0285	3 lb
Structure Total:	16875 lb



Position	Elev	Angle	Pipe	Pipe OD	Hole	Connector	Up (")	Ref
Rim	863.03'							
Reducer	858.483'							
Invert 1	853.65'	0°	8" PVC SDR35	8.5"	9.75"	A-Lok 0285	1.129"	P1
Invert 2	854.18'	262°	8" PVC SDR35	8.5"	9.75"	A-Lok 0285	7.489"	P1
Invert 3	856.85'	92°	8" PVC SDR35	8.5"	9.75"	A-Lok 0285	39.529"	P1
Invert 4								
Invert 5								
Invert 6								
Invert 7								
Invert 8								



Default - Interior Dimensions



Submittal Drawing
 10/17/2025 2:07:29 PM

SUBMITTAL
 APPROVED BY: