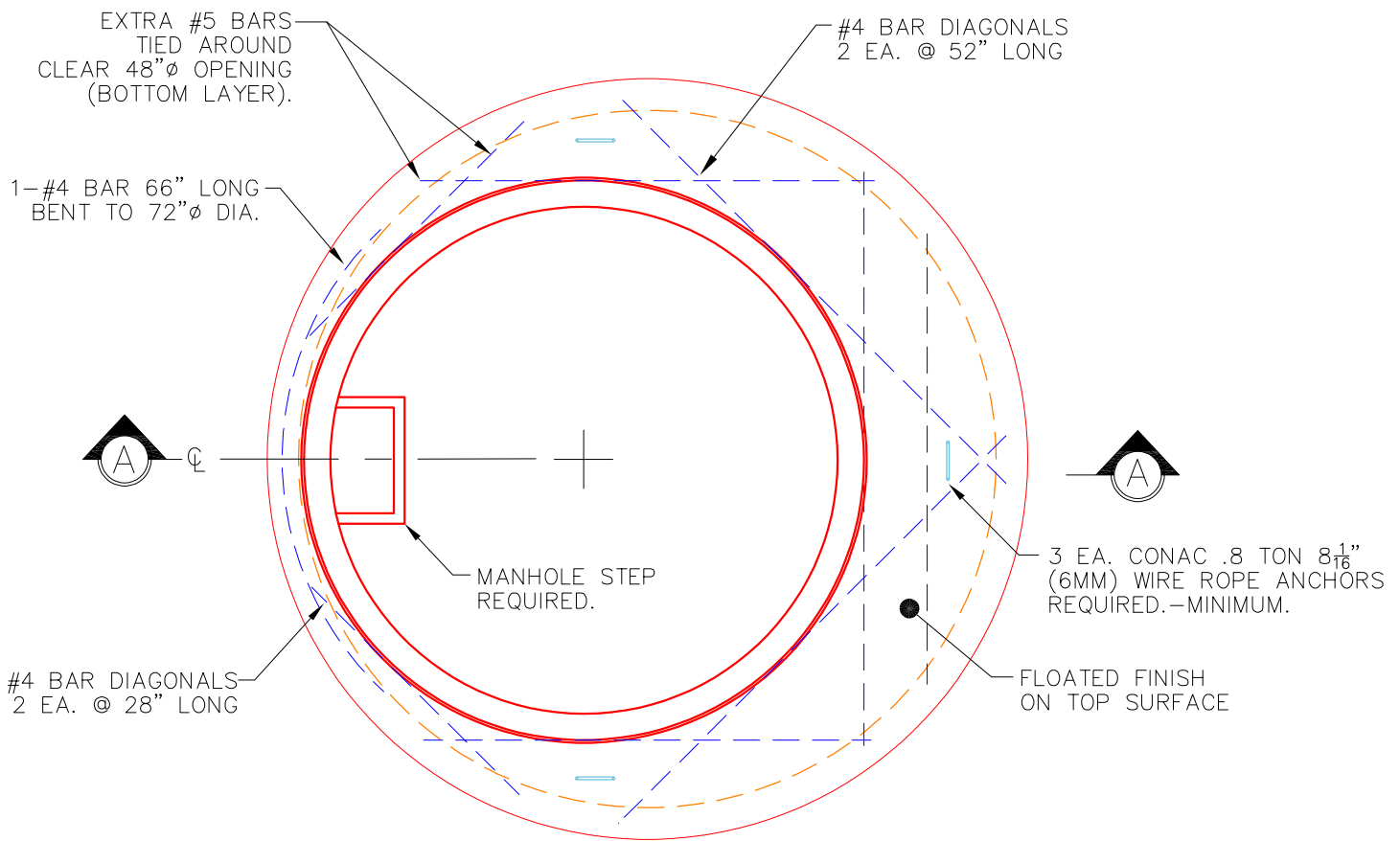
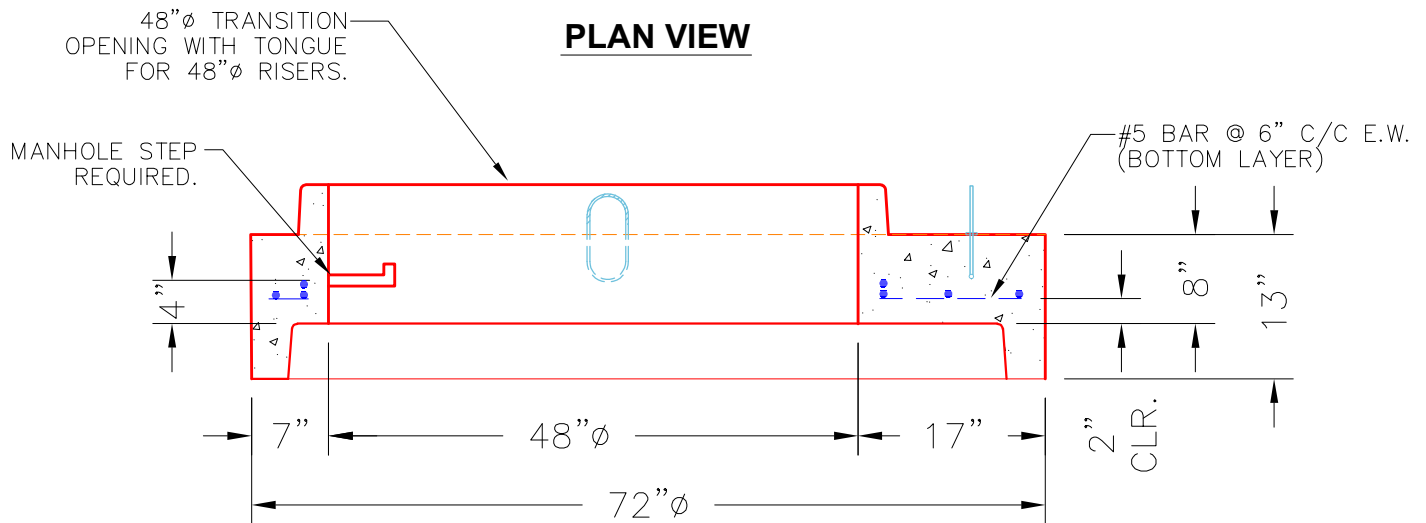


THIS DRAWING IS INTENDED TO BE PRINTED IN COLOR.



**PLAN VIEW**



**SECTION A-A**

**NOTES:**

1. MANUFACTURED TO ASTM C-478 (LATEST REVISION).
2. CONCRETE: 4,500 PSI AT 28 DAYS.
3. REINFORCING: #5 BAR @ 6" C/C E.W. (GRADE 60).

|                              |   |  |   |                            |
|------------------------------|---|--|---|----------------------------|
| <p>PRODUCTION WORK ORDER</p> |   | <p>PRODUCT I.D.:<br/>MH06048TS13-48ECC</p> | <p>DESCRIPTION:<br/>60"Ø X 13" TO 48"Ø ECC. TRANSITION SLAB</p> |                            |
|                              | <p>QUALITY CONTROL CHECKLIST</p>                            | <p>PRODUCT VIEW: RIGHT SIDE UP</p>         | <p>CUSTOMER: C SQUARED CONTRACTING LLC</p>                      |                            |
|                              | <p><input type="checkbox"/> ALL DIMENSIONS CORRECT.</p>     | <p>PLANT: BEAVER DAM, KY.</p>              | <p>PROJECT: THE VILLAGE AT LEMON MILLS SANITARY</p>             |                            |
|                              | <p><input type="checkbox"/> WIRE LIFT LOOPS INSTALLED.</p>  | <p>WEIGHT: 1,928 LBS.</p>                  | <p>STRUCTURE: SSMH-A1 0+67.87</p>                               |                            |
|                              | <p><input type="checkbox"/> HOLE LOCATION CORRECT.</p>      | <p>TOP SECTION JOINT: 48"Ø TONGUE</p>      | <p>SALES ORDER NO.: 24-2057B</p>                                |                            |
|                              | <p><input type="checkbox"/> REINFORCING CORRECT.</p>        | <p>BASE SECTION JOINT: 60"Ø GROOVE</p>     | <p>P.C.: C. GOFF</p>  | <p>DRAWING: J. COPPAGE</p> |
|                              | <p><input type="checkbox"/> OUTSIDE TOP EDGE TROWELLED.</p> | <p>QC CHECK INITIALS:</p>                  | <p>DATE: 10/14/25</p>   | <p>SCALE: NTS</p>          |