


Job Name: 24-1634D KYTC Christian Co. ID 241302 Thompsonville Ln.	Plant: Beaver Dam	Tech: N. Richards	
Job Location: Oak Grove, Ky. Contractor: Mick-Murf Construction Inc.	4/23/2025 3:24:03 PM	PC: C. Goff	

Structure ID: JB-98 173+14 LT

P1 BX2424-08BA30

BOX BASE 8inW, 8inF F/n

- P2) 24" x 24" - BX FLAT LID 8inW SPEC. (KY JB-B1) F/F - 8"
- P1) 24" x 24" - BOX BASE 8inW, 8inF F/n - 30"
- 1) 24" x 24" - SGL 1"x14.5' Butyl
- 3) Hole - 18

	770 lb
	3139 lb
	0 lb
	0 lb
Structure Total:	3910 lb

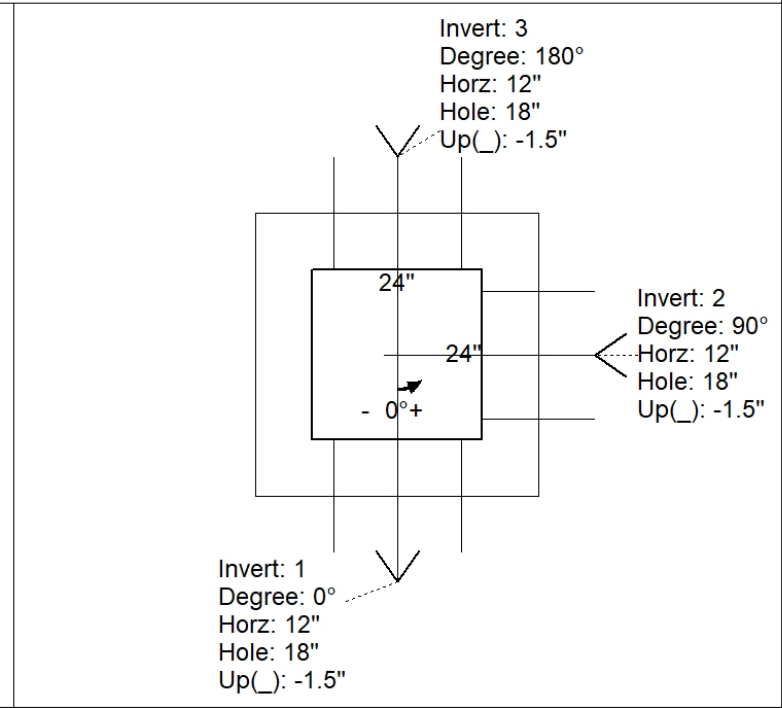
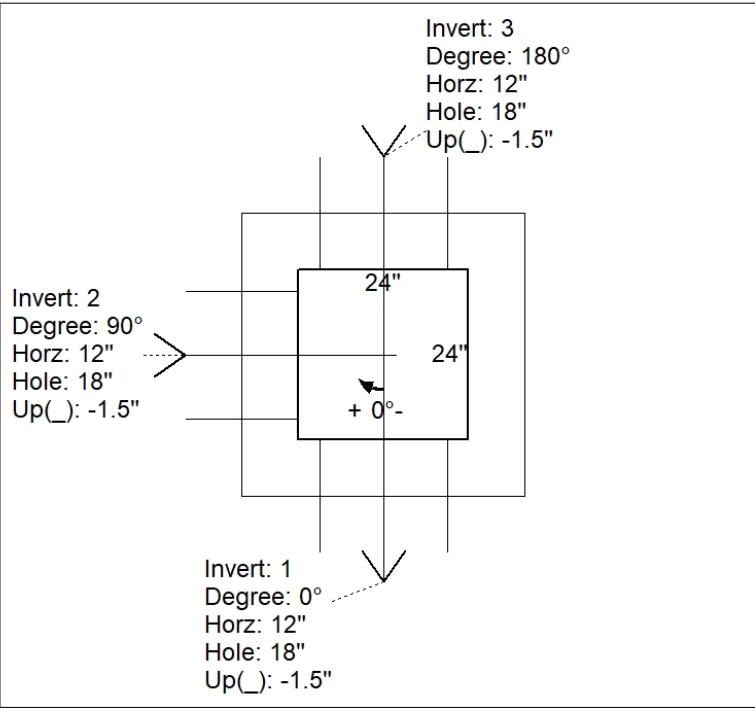
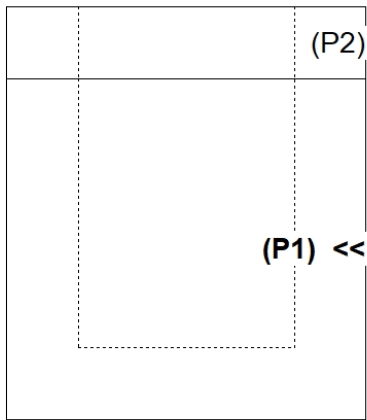
Structure Notes:
 -KYTC STATE PROJECT 241302.
 -MANUFACTURED TO KYTC & ASTM C-913 SPECIFICATIONS.
 -#5 BAR @ 12" C/C E.W. (TYP.)
 -CS-102-1" BUTYL MASTIC (SUPPLIED BY ICAST).
 -J.R. HOE KY-206 TYPE 1 FRAME & COVER CAST INTO TOP SLAB.
 (SUPPLIED BY ICAST).

Rim: 554.57' Rim to Invert: 3.17' Slack: 0.04' Sump: 0" Step Position:

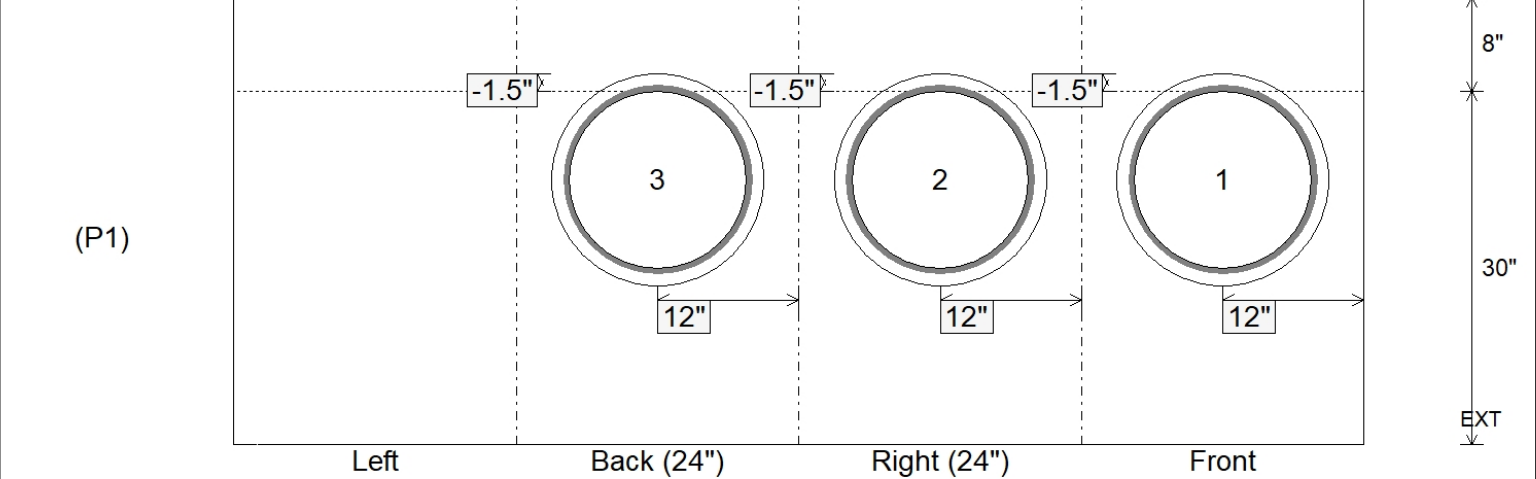
Position	Elev	Angle	Ext. (cw)	Pipe	Pipe OD	Connector	Hole	Horz Size	Up ()	Offset
Invert 1	551.4'	0°	20"	15" CMP	16"	Hole 18	18"	18"	-1.5"	0"
Invert 2	551.4'	90°	20"	15" CMP	16"	Hole 18	18"	18"	-1.5"	0"
Invert 3	551.4'	180°	20"	15" CMP	16"	Hole 18	18"	18"	-1.5"	0"
Invert 4										
Invert 5										
Invert 6										
Invert 7										
Invert 8										

RIGHT-SIDE UP VIEW (int. dimensions)

UPSIDE-DOWN VIEW (int. dimensions)



INSIDE WALL DIMENSIONS



Coating (Int): Coating (Ext):	Seam Up: Flat Seam Dn: n/a	Wall Thickness: 8" Floor Height: 8"	Height (Int): 30" Height (Ext): 38"	Weight (Net): 3139 lb Volume (Net): 0.8cu.yd
----------------------------------	-------------------------------	--	--	---