

Job Name: 24-1634D KYTC Christian Co. 241302 Thompsonville Ln.
 Job Location: Oak Grove, Ky.
 Contractor: Mick-Murf Construction Inc.

Plant: Beaver Dam
 4/22/2025 5:34:21 PM

Tech: N. Richards
 PC: C. Goff

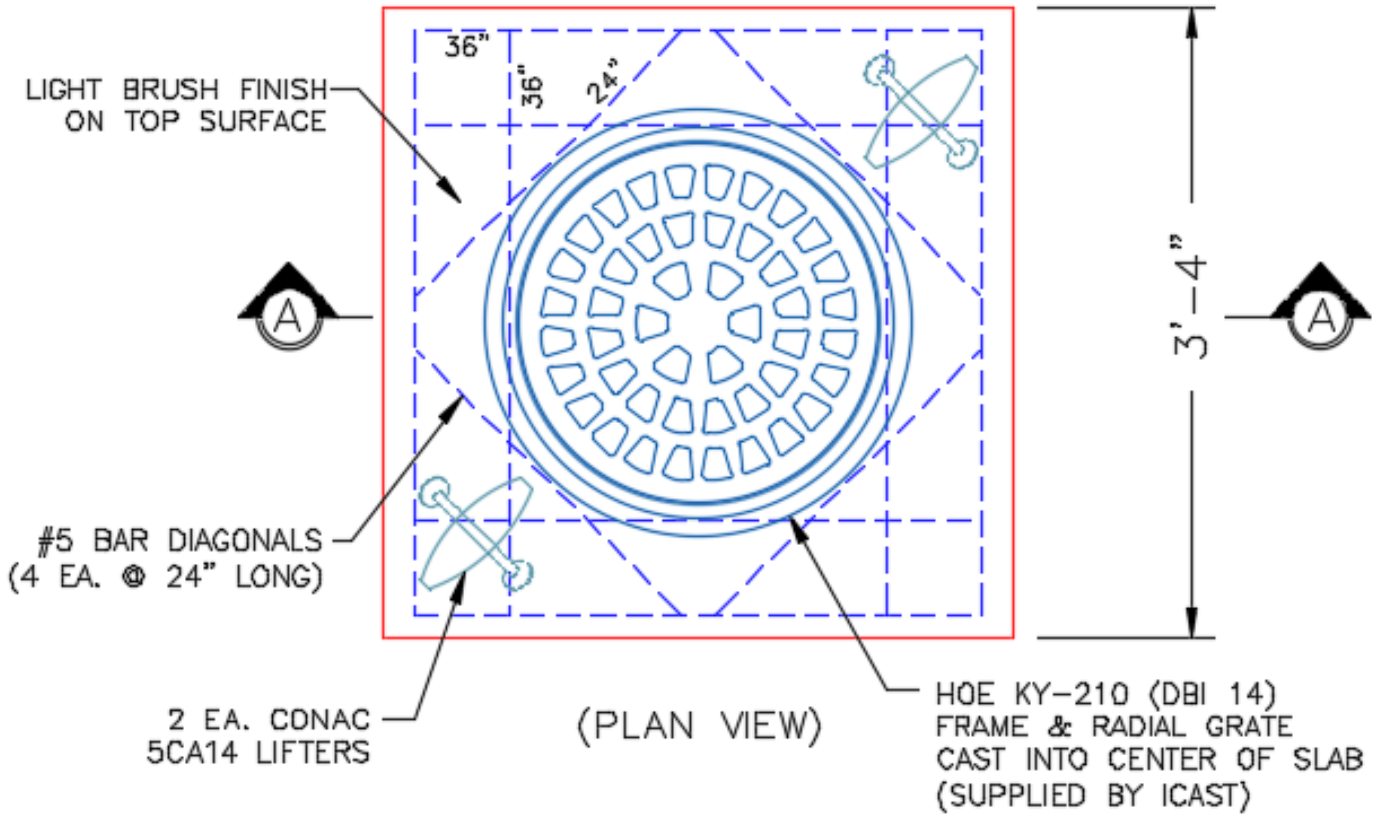


Structure ID: DBI-97 173+14 LT

P2 BX024024-08LD08-14

CB FLAT TOP 8"W (JBS 2214-15) F/F

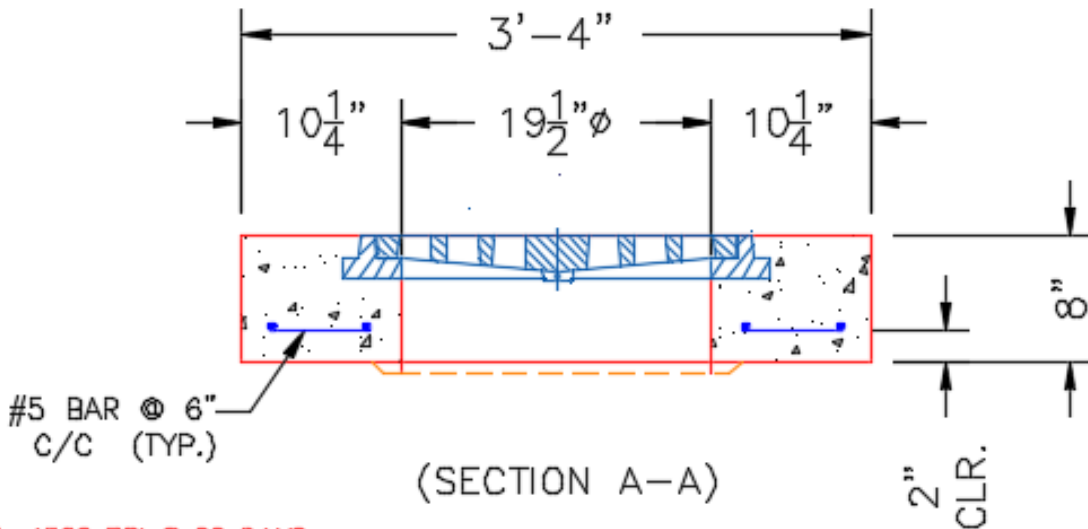
KYTC STATE PROJECT



2 EA. CONAC 5CA14 LIFTERS

(PLAN VIEW)

HOE KY-210 (DBI 14) FRAME & RADIAL GRATE CAST INTO CENTER OF SLAB (SUPPLIED BY ICAST)



#5 BAR @ 6" C/C (TYP.)

(SECTION A-A)

2" CLR.

NOTES:

- CONCRETE: 4500 PSI @ 28 DAYS.
- MANUFACTURED TO KYTC & ASTM C-913 SPECIFICATIONS.
- REINFORCING: #5 BAR AS SHOWN-GRADE 60.
- KYTC STATE CERTIFICATIONS REQUIRED.

#5 BAR CUT LIST

- 8 EA. @ 36" LG.
- 4 EA. @ 24" LG.

Coating (Int):
 Coating (Ext):

Seam Up: Flat
 Seam Dn: Flat

Wall Thickness: 8"

Height (Ext): 8"

Weight (Net): 770 lb
 Volume (Net): 0.2cu.yd