

Job Name: 24-1634D KYTC Christian Co. ID 241302 Thompsonville Ln
Job Location: Oak Grove, KY
Contractor: Mick-Murf Construction Inc.

PC: C. Goff
 TECH: N. Richards
 Plant: Beaver Dam

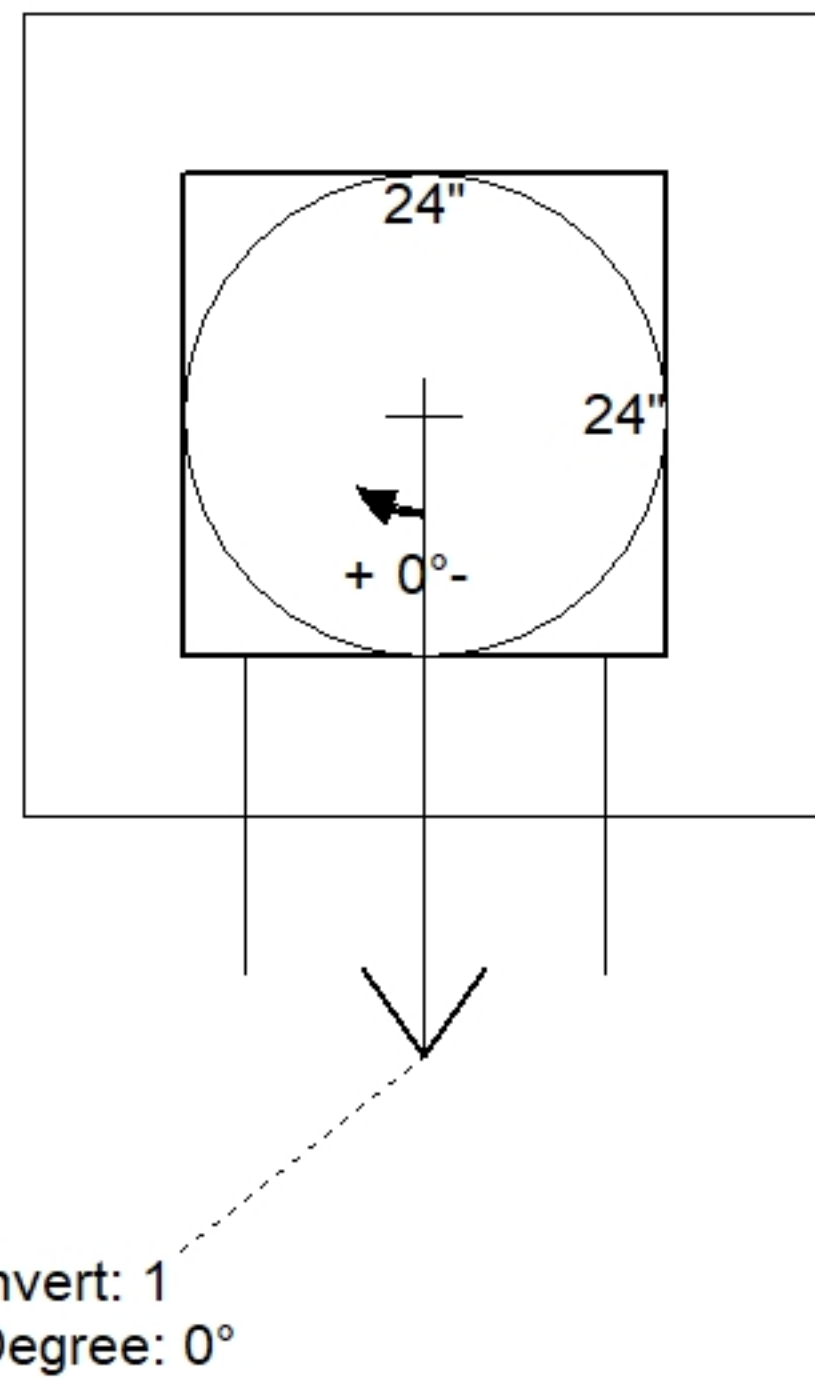


Structure ID: **DBI-92 0-39 LT KYLE**
 Spec: KYTC Rim: 552.2' Sump: 0" Floor (Bot): 549.033'
 Type: DBI TYPE 14 Invert: 549.7' Floor (Top): 549.7' Overall Height: 3.167'
 Size: 24" x 24" Rim to Invert: 2.5' Floor Height: 8" Slack: 0"

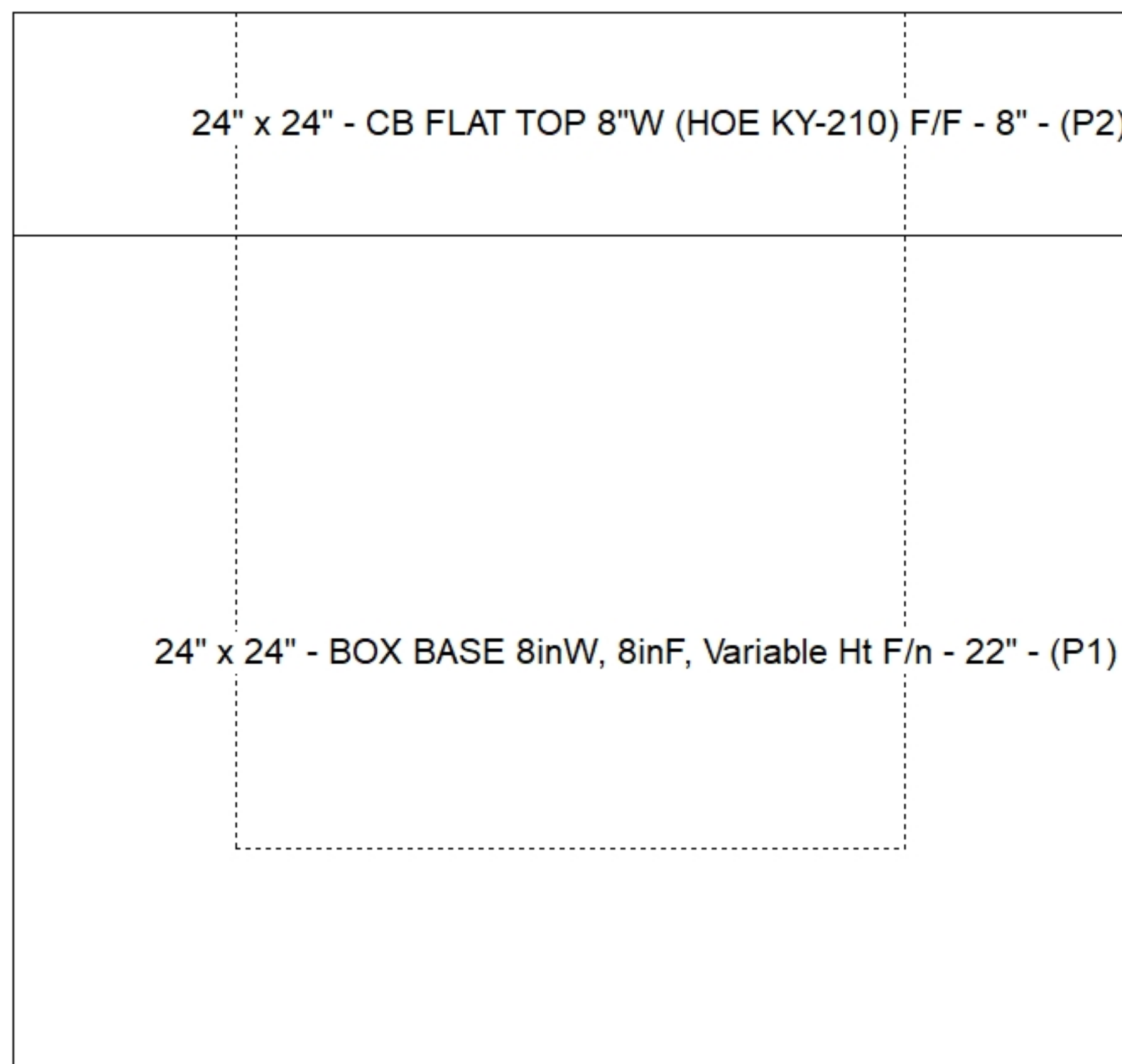
Structure Notes:
 -KYTC STATE PROJECT 241302.
 -MANUFACTURED TO KYTC & ASTM C-913 SPECIFICATIONS.
 -#5 BAR @ 12" C/C E.W. (TYP.)
 -CS-102-1" BUTYL MASTIC (SUPPLIED BY ICAST).
 -J.R. HOE KY-210 FRAME & RADIAL GRATE CAST INTO TOP SLAB.
 (SUPPLIED BY ICAST).

STRUCTURE SUMMARY:

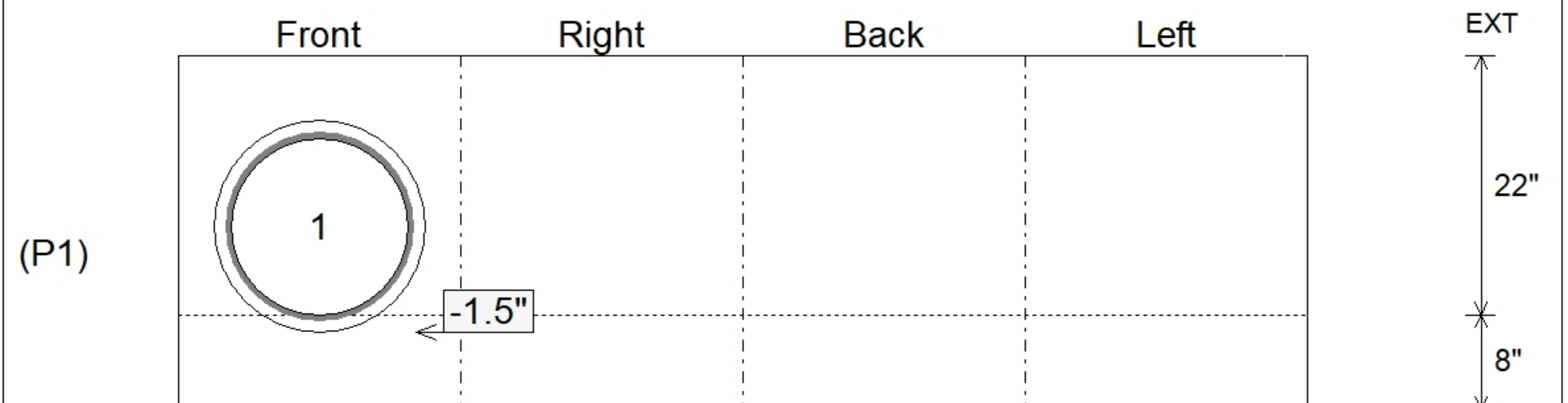
P2) 24" x 24" - CB FLAT TOP 8"W (HOE KY-210) F/F - 8"	770 lb
P1) 24" x 24" - BOX BASE 8inW, 8inF, Variable Ht F/n - 22"	2794 lb
1) 24" x 24" - SGL 1"x14.5' Butyl	0 lb
1) Hole - 18	0 lb
Structure Total:	3564 lb



Position	Elev	Angle	Pipe	Pipe OD	Hole	Connector	Up (L)	Ref
Rim	552.2'							
Reducer								
Invert 1	549.7'	0°	15" CMP	16"	18"	Hole 18	-1.5"	P1
Invert 2								
Invert 3								
Invert 4								
Invert 5								
Invert 6								
Invert 7								
Invert 8								



Cast (Int. Dim.) - Interior Dimensions



Submittal Drawing
 10/21/2025 1:04:05 PM

SUBMITTAL
 APPROVED BY: