

Job Name: 24-1634D KYTC Christian Co. ID 241302 Thompsonville Ln	Plant: Beaver Dam	Tech: N. Richards	
Job Location: Oak Grove, KY Contractor: Mick-Murf Construction Inc.	10/21/2025 1:05:15 PM	PC: C. Goff	

**Structure ID: DBI-92 0-39 LT KYLE**

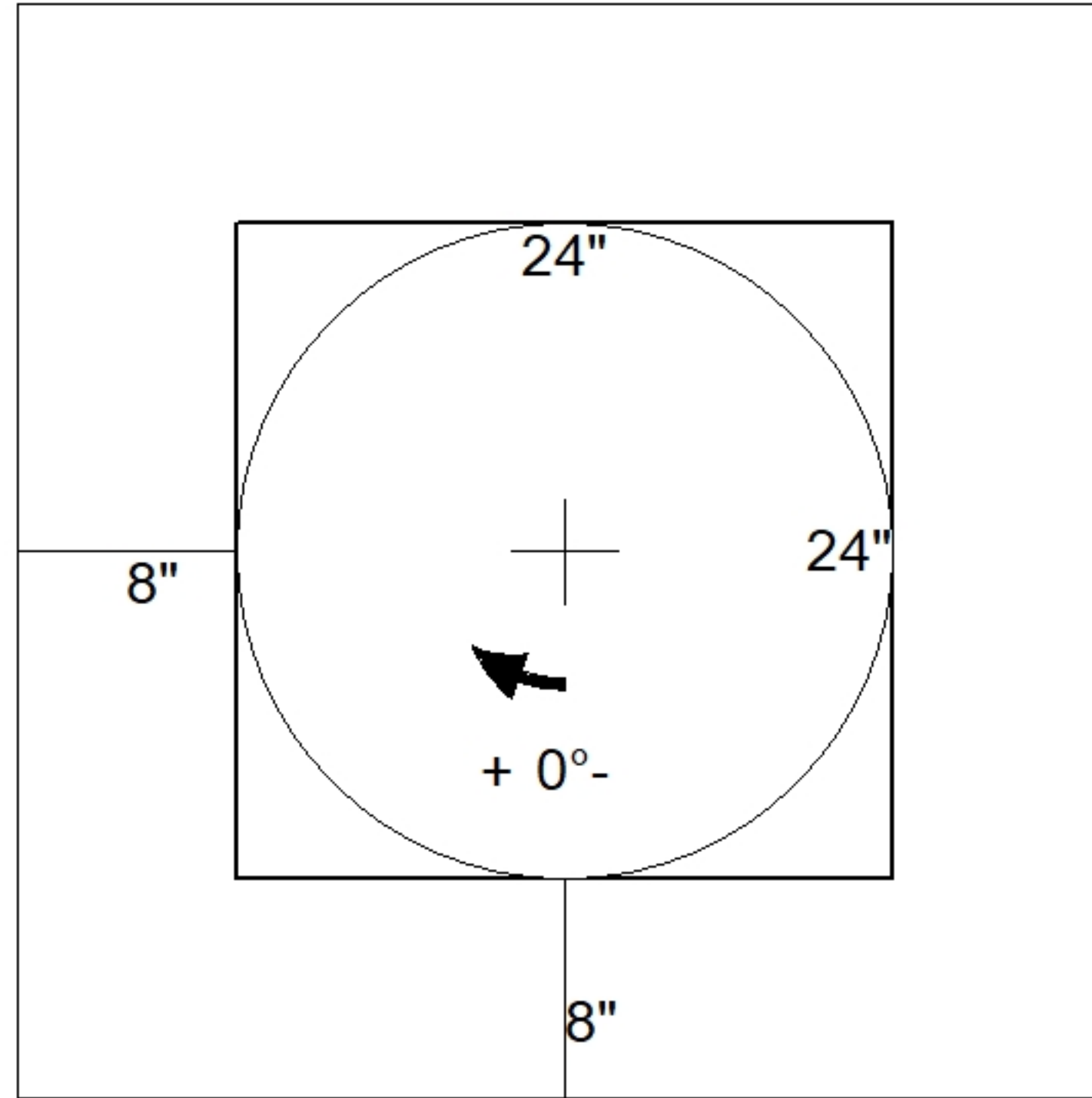
**P2 BX024024-08LD08-14**

**CB FLAT TOP 8"W (HOE KY-210) F/F**

- P2) 24" x 24" - CB FLAT TOP 8"W (HOE KY-210) F/F - 8"
- P1) 24" x 24" - BOX BASE 8inW, 8inF, Variable Ht F/n - 22"
- 1) 24" x 24" - SGL 1"x14.5' Butyl
- 1) Hole - 18

	770 lb
	2794 lb
	0 lb
	0 lb
Structure Total:	3564 lb

Structure Notes:  
 -KYTC STATE PROJECT 241302.  
 -MANUFACTURED TO KYTC & ASTM C-913 SPECIFICATIONS.  
 -#5 BAR @ 12" C/C E.W. (TYP.)  
 -CS-102-1" BUTYL MASTIC (SUPPLIED BY ICAST).  
 -J.R. HOE KY-210 FRAME & RADIAL GRATE CAST INTO TOP SLAB.  
 (SUPPLIED BY ICAST).



24" x 24" - CB FLAT TOP 8"W (HOE KY-210) F/F - 8" - (P2)

Coating (Int): Coating (Ext):	Seam Up: Flat Seam Dn: Flat	Wall Thickness: 8"	Height (Ext): 8"	Weight (Net): 770 lb Volume (Net): 0.2cu.yd
----------------------------------	--------------------------------	--------------------	------------------	--