

Job Name: 24-1634D KYTC Christian Co. ID 241302 Thompsonville Ln
Job Location: Oak Grove, KY
Contractor: Mick-Murf Construction Inc.

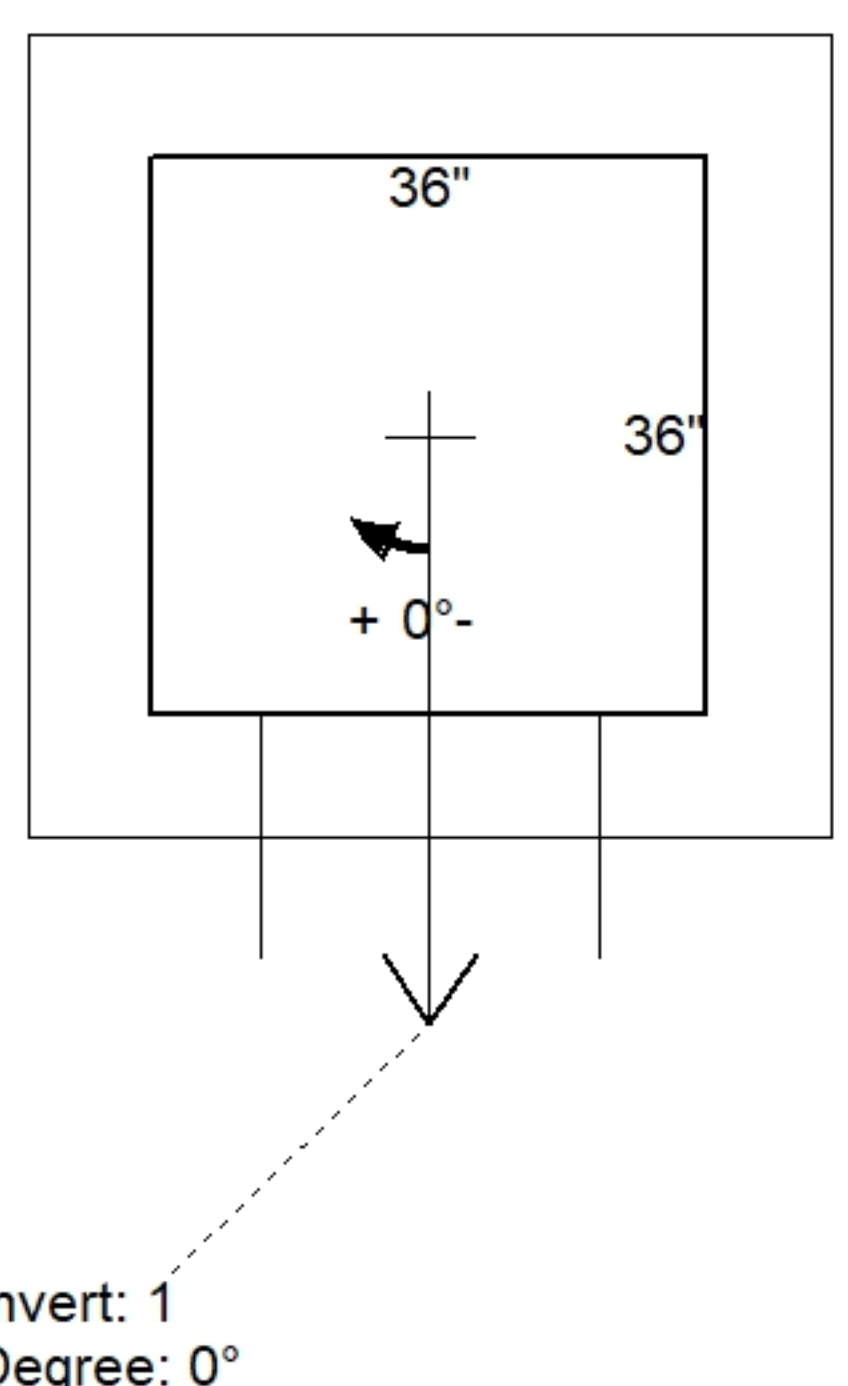
PC: C. Goff
 TECH: N. Richards
 Plant: Beaver Dam



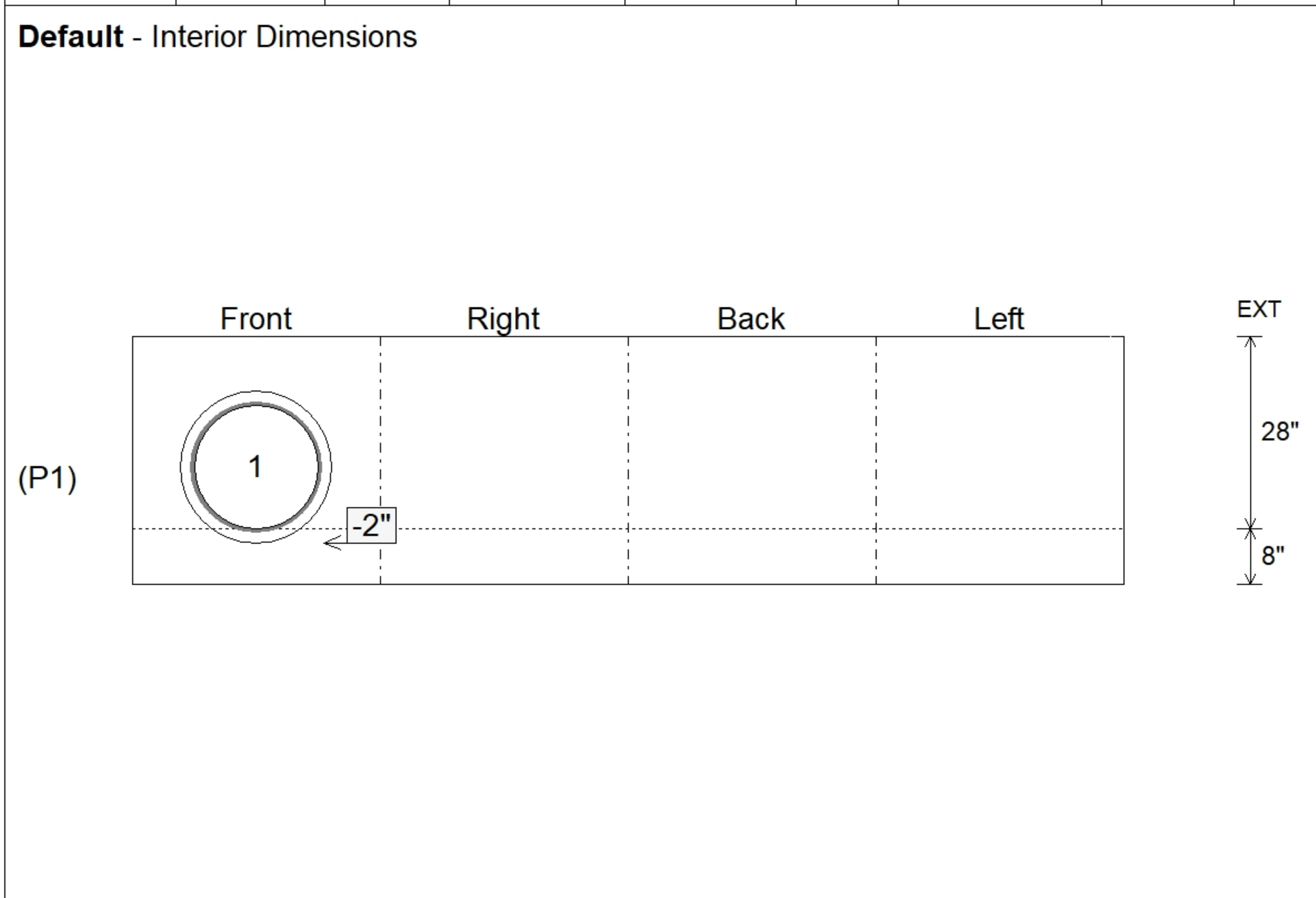
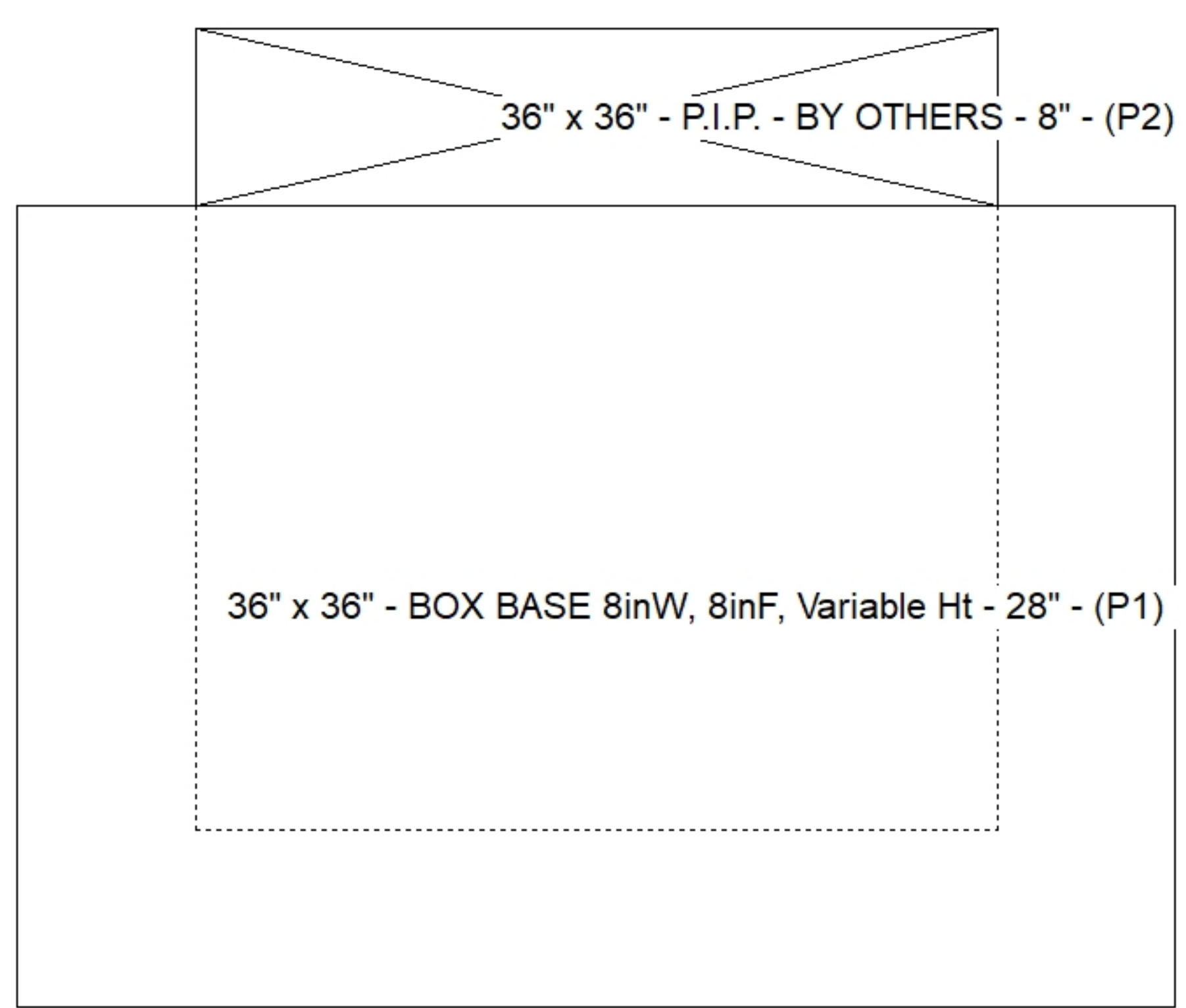
Structure ID: DBI-67 150+25 LT
 Spec: KYTC Rim: 537.29' Sump: 0" Floor (Bot): 533.623'
 Type: DBI TYPE 3 Invert: 534.29' Floor (Top): 534.29' Overall Height: 3.667'
 Size: 36" x 36" Rim to Invert: 3' Floor Height: 8" Slack: 0"

Structure Notes:
 -KYTC STATE PROJECT 241302.
 -MANUFACTURED TO KYTC & ASTM C-913 SPECIFICATIONS.
 -#5 BAR @ 12" C/C E.W. (TYP.)
 -CS-102-1" BUTYL MASTIC (SUPPLIED BY ICAST).
 -#5 BAR EXTENDED 20" OUT OF TOP OF BOX AT 12" C/C.
 -DBI TYPE 3 FRAME & GRATES (SUPPLIED BY OTHERS).
 -FIELD POURED SLAB (BY OTHERS).

STRUCTURE SUMMARY:
 P2) 36" x 36" - P.I.P. - BY OTHERS - 8" 0 lb
 P1) 36" x 36" - BOX BASE 8inW, 8inF, Variable Ht - 28" 4868 lb
 1) 36" x 36" - SGL 1"x14.5' Butyl 0 lb
 1) Hole - 22 0 lb
Structure Total: 4868 lb



Position	Elev	Angle	Pipe	Pipe OD	Hole	Connector	Up (L)	Ref
Rim	537.29'							
Reducer								
Invert 1	534.29'	0°	18" CMP	19"	22"	Hole 22	-2"	P1
Invert 2								
Invert 3								
Invert 4								
Invert 5								
Invert 6								
Invert 7								
Invert 8								



Submittal Drawing 11/14/2025 2:37:05 PM SUBMITTAL APPROVED BY: