

Job Name: 24-1634D KYTC Christian Co. ID 241302 Thompsonville Ln.
 Job Location: Oak Grove, Ky.
 Contractor: Mick-Murf Construction Inc.

Plant: Beaver Dam
 4/23/2025 3:23:34 PM

Tech: N. Richards
 PC: C. Goff



Structure ID: DBI-67 150+25 LT

P1 BX3636-08BAVF BOX BASE 8inW, 8inF, Variable Ht F/n

P2) 36" x 36" - P.I.P. - BY OTHERS - 8"	0 lb
P1) 36" x 36" - BOX BASE 8inW, 8inF, Variable Ht F/n - 28"	4868 lb
1) 36" x 36" - SGL 1"x14.5' Butyl	0 lb
1) Hole - 22	0 lb
Structure Total:	4868 lb

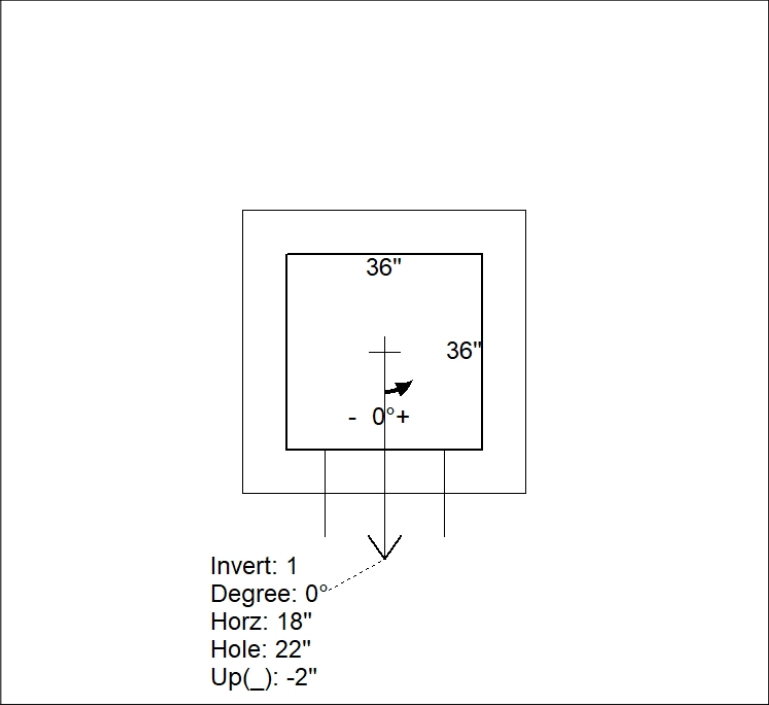
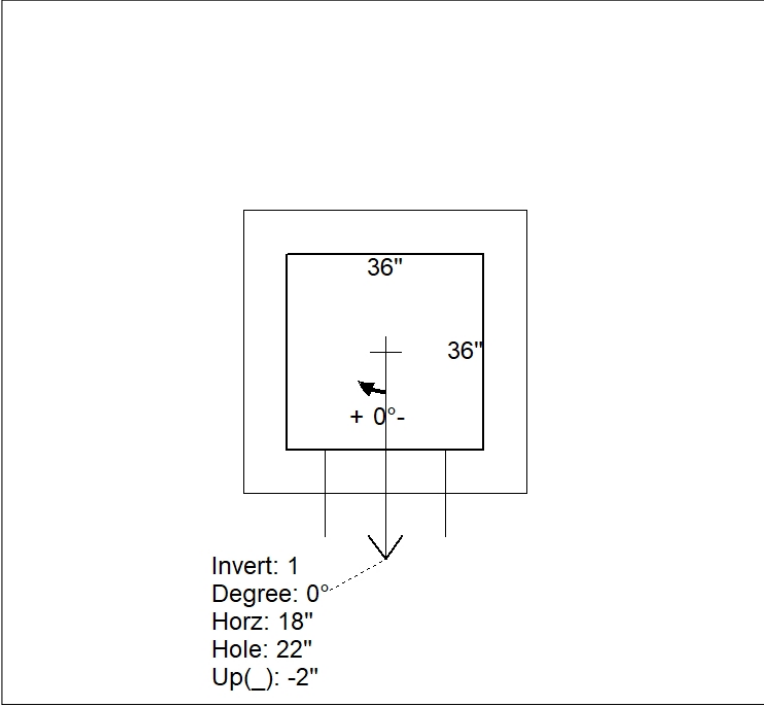
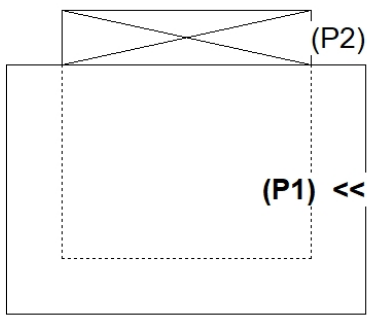
Structure Notes:
 -KYTC STATE PROJECT 241302.
 -MANUFACTURED TO KYTC & ASTM C-913 SPECIFICATIONS.
 -#5 BAR @ 12" C/C E.W. (TYP.)
 -CS-102-1" BUTYL MASTIC (SUPPLIED BY ICAST).
 -#5 BAR EXTENDED 20" OUT OF TOP OF BOX AT 12" C/C.
 -DBI TYPE 3 FRAME & GRATES (SUPPLIED BY OTHERS).
 -FIELD POURED SLAB (BY OTHERS).

Rim: 537.29' Rim to Invert: 3' Slack: 0" Sump: 0" Step Position:

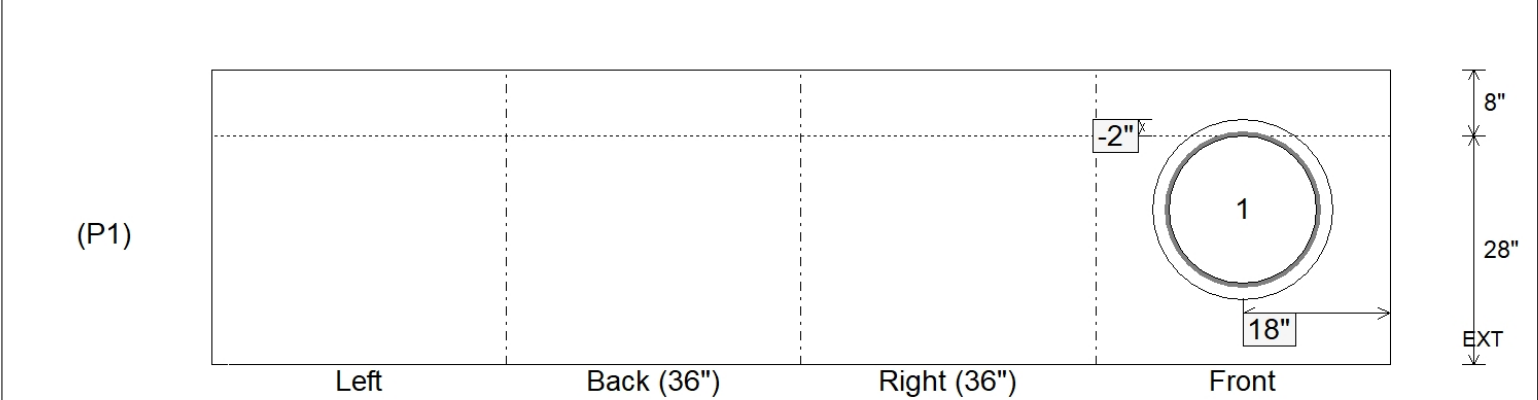
Position	Elev	Angle	Ext. (cw)	Pipe	Pipe OD	Connector	Hole	Horz Size	Up ()	Offset
Invert 1	534.29'	0°	26"	18" CMP	19"	Hole 22	22"	22"	-2"	0"
Invert 2										
Invert 3										
Invert 4										
Invert 5										
Invert 6										
Invert 7										
Invert 8										

RIGHT-SIDE UP VIEW (int. dimensions)

UPSIDE-DOWN VIEW (int. dimensions)



INSIDE WALL DIMENSIONS



Coating (Int): Coating (Ext):	Seam Up: Flat Seam Dn: n/a	Wall Thickness: 8" Floor Height: 8"	Height (Int): 28" Height (Ext): 36"	Weight (Net): 4868 lb Volume (Net): 1.24cu.yd
----------------------------------	-------------------------------	--	--	--