

Job Name: 24-1634D KYTC Christian Co. ID 241302 Thompsonville Ln
Job Location: Oak Grove, KY
Contractor: Mick-Murf Construction Inc.

PC: C. Goff
 TECH: N. Richards
 Plant: Beaver Dam



Structure ID: DBI-50 141+37 LT
 Spec: KYTC
 Type: DBI TYPE 3
 Size: 36" x 36"

Rim: 539'
 Invert: 535.95'
 Rim to Invert: 3.05'

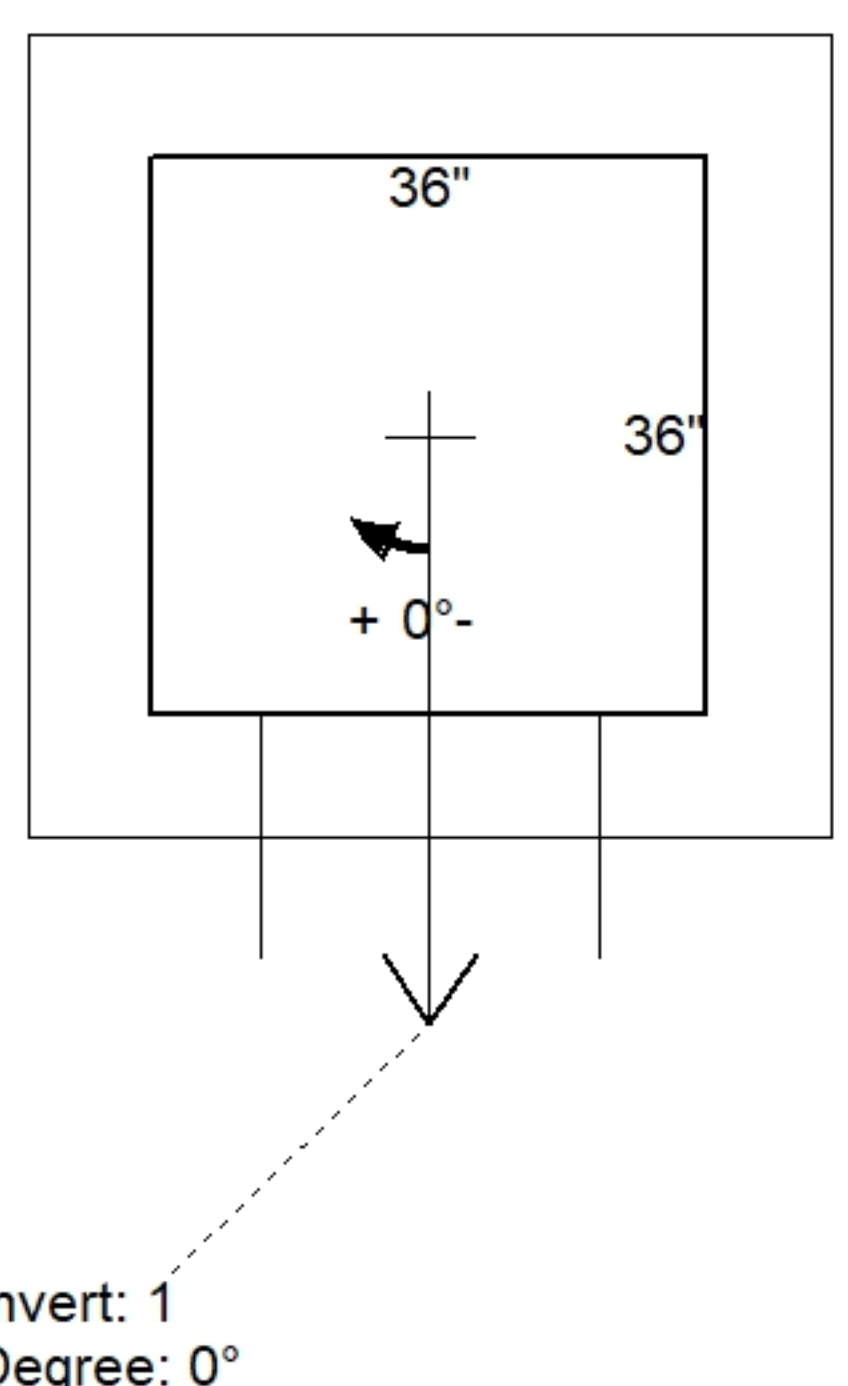
Sump: 0"
 Floor (Top): 535.95'
 Floor Height: 8"

Floor (Bot): 535.283'
 Overall Height: 3.667'
 Slack: 0.6"

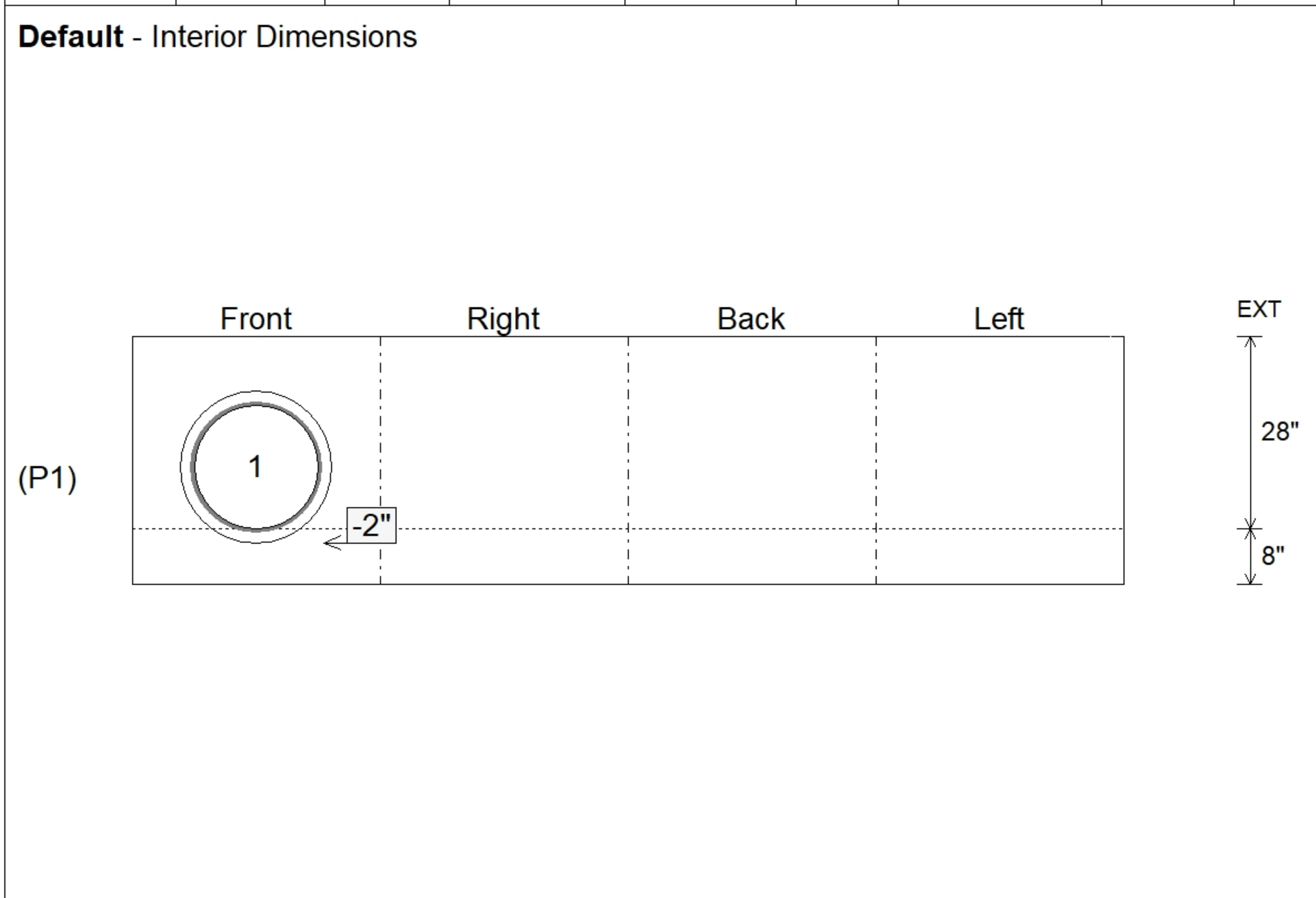
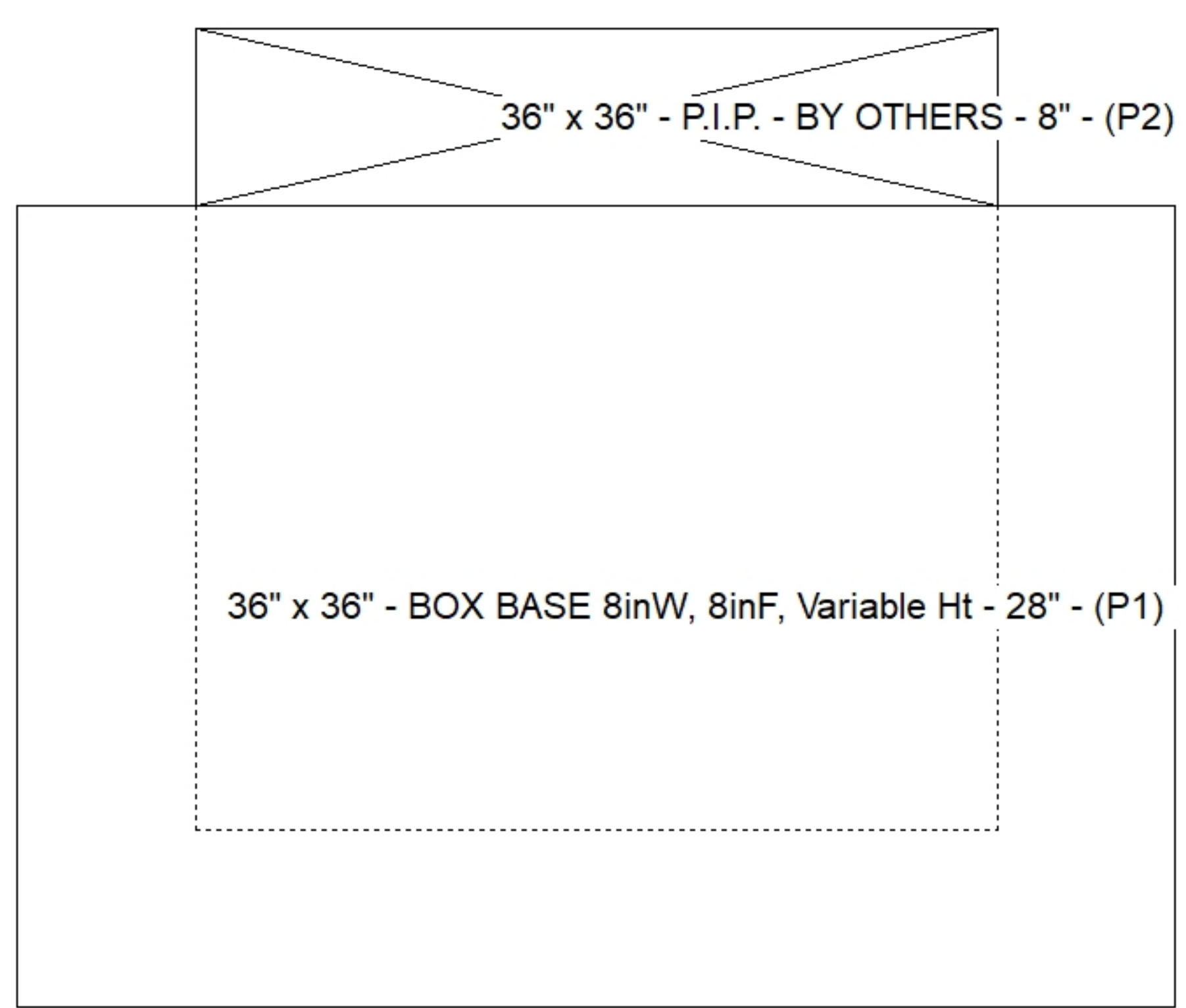
Structure Notes:
 -KYTC STATE PROJECT 241302.
 -MANUFACTURED TO KYTC & ASTM C-913 SPECIFICATIONS.
 -#5 BAR @ 12" C/C E.W. (TYP.)
 -CS-102-1" BUTYL MASTIC (SUPPLIED BY ICAST).
 -#5 BAR EXTENDED 20" OUT OF TOP OF BOX AT 12" C/C.
 -DBI TYPE 3 FRAME & GRATES (SUPPLIED BY OTHERS).
 -FIELD POURED SLAB (BY OTHERS).

STRUCTURE SUMMARY:

P2) 36" x 36" - P.I.P. - BY OTHERS - 8"	0 lb
P1) 36" x 36" - BOX BASE 8inW, 8inF, Variable Ht - 28"	4868 lb
1) 36" x 36" - SGL 1"x14.5' Butyl	0 lb
1) Hole - 22	0 lb
Structure Total:	4868 lb



Position	Elev	Angle	Pipe	Pipe OD	Hole	Connector	Up (L)	Ref
Rim	539'							
Reducer								
Invert 1	535.95'	0°	18" CMP	19"	22"	Hole 22	-2"	P1
Invert 2								
Invert 3								
Invert 4								
Invert 5								
Invert 6								
Invert 7								
Invert 8								



Submittal Drawing
 11/14/2025 2:37:01 PM

SUBMITTAL
 APPROVED BY: