

Job Name: 24-1634D KYTC Christian Co. ID 241302 Thompsonville Ln
Job Location: Oak Grove, KY
Contractor: Mick-Murf Construction Inc.

PC: C. Goff
 TECH: N. Richards
 Plant: Beaver Dam

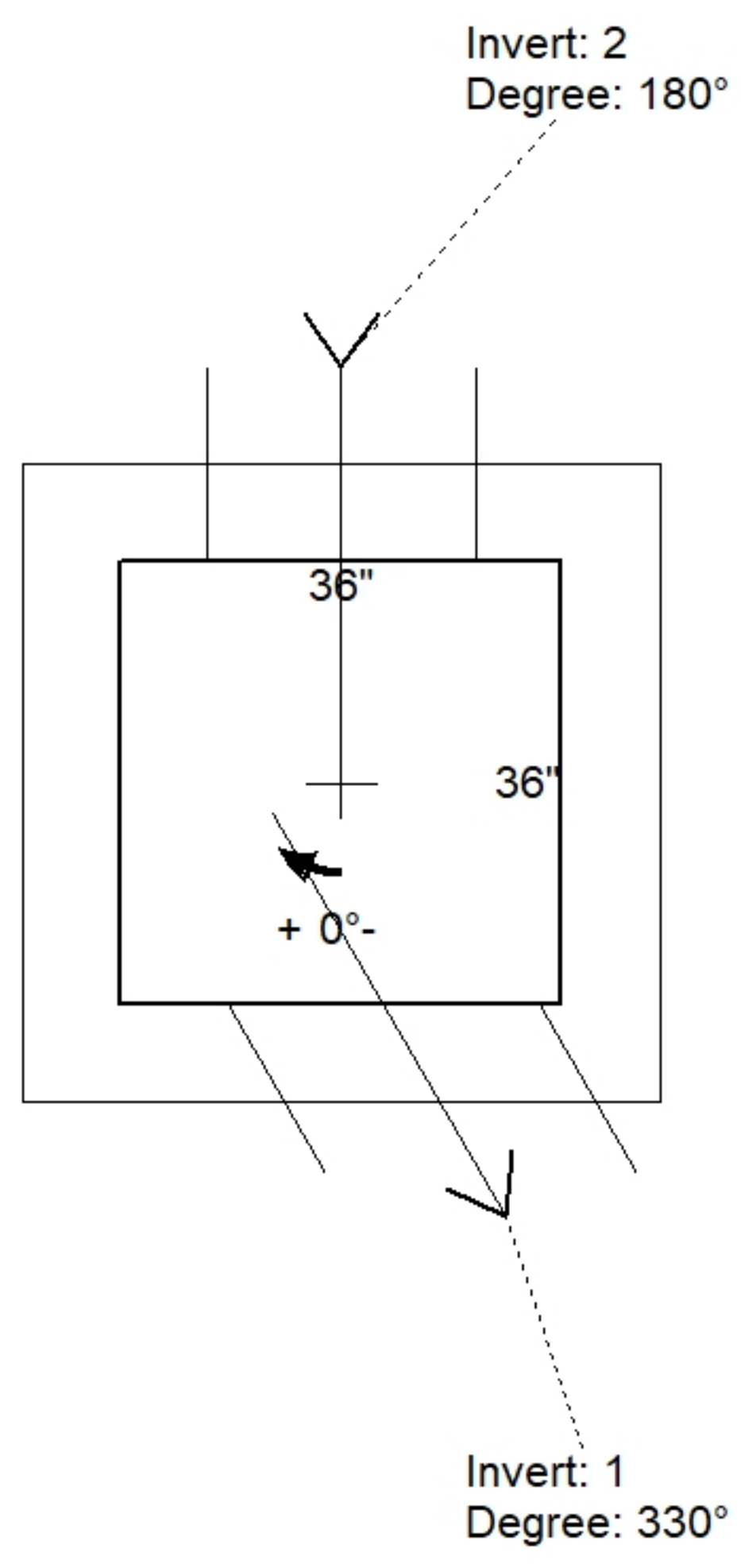


Structure ID: DBI-125 5+47 LT (CARTER)
 Spec: KYTC Rim: 576.03' Sump: 0" Floor (Bot): 571.813'
 Type: DBI TYPE 3 Invert: 572.48' Floor (Top): 572.48' Overall Height: 4.167'
 Size: 36" x 36" Rim to Invert: 3.55' Floor Height: 8" Slack: 0.6"

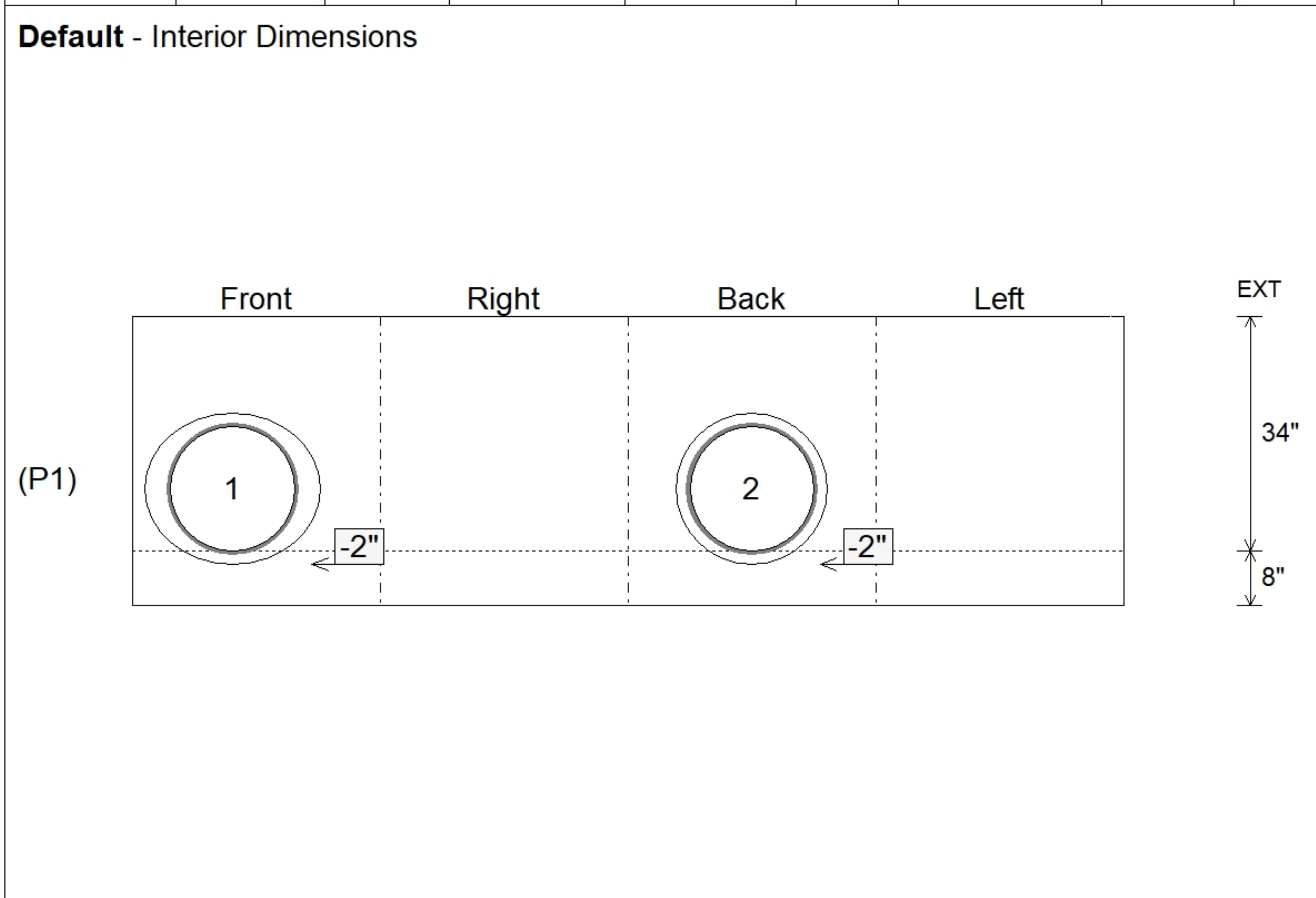
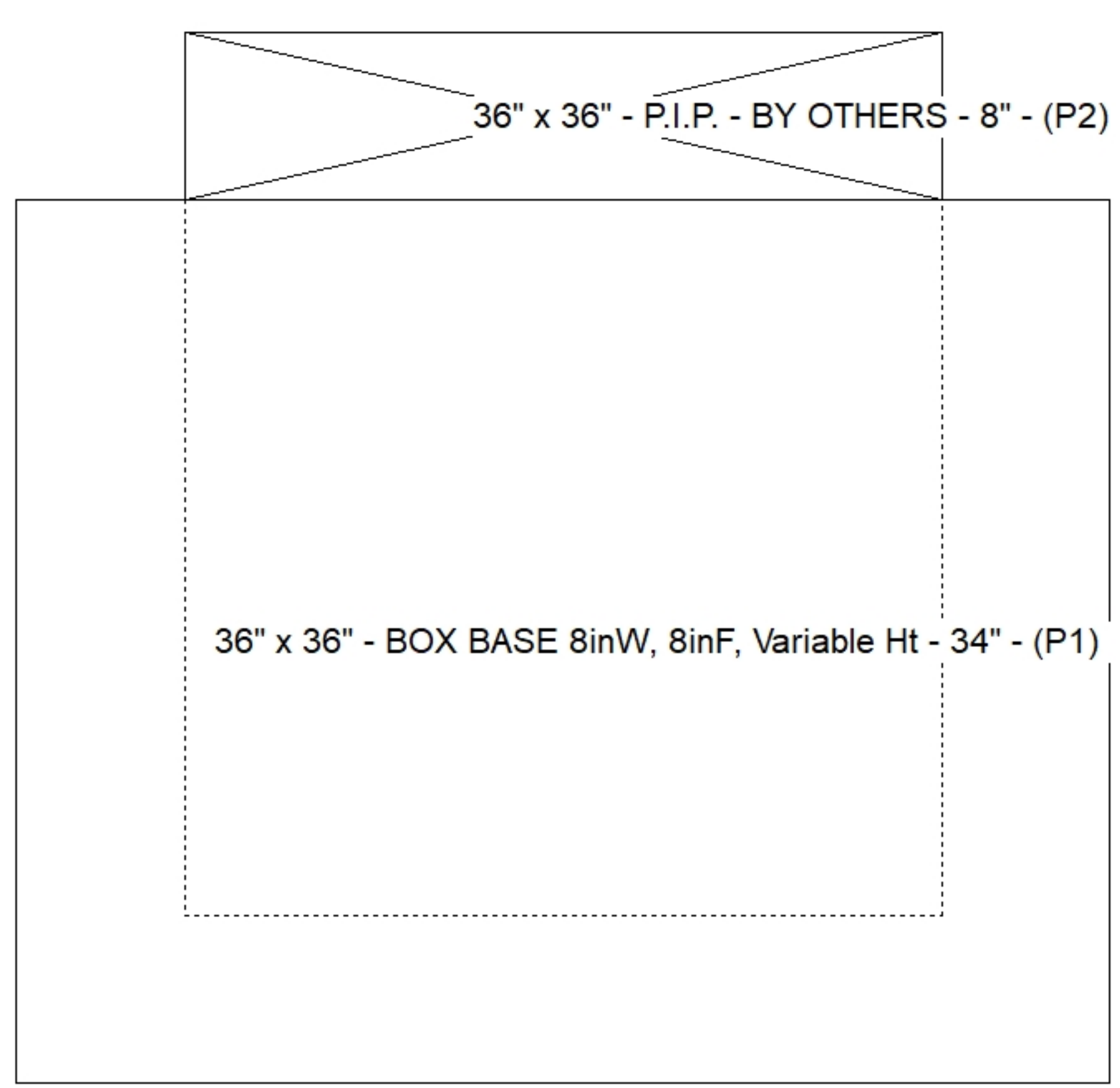
Structure Notes:
 -KYTC STATE PROJECT 241302.
 -MANUFACTURED TO KYTC & ASTM C-913 SPECIFICATIONS.
 -#5 BAR @ 12" C/C E.W. (TYP.)
 -CS-102-1" BUTYL MASTIC (SUPPLIED BY ICAST).
 -#5 BAR EXTENDED 20" OUT OF TOP OF BOX AT 12" C/C.
 -DBI TYPE 3 FRAME & GRATES (SUPPLIED BY OTHERS).
 -FIELD POURED APRON (BY OTHERS).

STRUCTURE SUMMARY:

P2) 36" x 36" - P.I.P. - BY OTHERS - 8"	0 lb
P1) 36" x 36" - BOX BASE 8inW, 8inF, Variable Ht - 34"	5282 lb
1) 36" x 36" - SGL 1"x14.5' Butyl	0 lb
2) Hole - 22"	0 lb
Structure Total:	5282 lb



Position	Elev	Angle	Pipe	Pipe OD	Hole	Connector	Up (L)	Ref
Rim	576.03'							
Reducer								
Invert 1	572.48'	330°	18" CMP	19"	22"	Hole 22	-2"	P1
Invert 2	572.48'	180°	18" CMP	19"	22"	Hole 22	-2"	P1
Invert 3								
Invert 4								
Invert 5								
Invert 6								
Invert 7								
Invert 8								



Submittal Drawing 11/14/2025 2:37:23 PM
 SUBMITTAL APPROVED BY: