

**Job Name: 24-1634D KYTC Christian Co. ID 241302 Thompsonville Ln**  
**Job Location: Oak Grove, KY**  
**Contractor: Mick-Murf Construction Inc.**

PC: C. Goff  
 TECH: N. Richards  
 Plant: Beaver Dam



Structure ID: CBI-90 171+65 LT  
 Spec: KYTC  
 Type: CBI TYPE A (10')  
 Size: 24" x 36"

Rim: 552.1'  
 Invert: 546.51'  
 Rim to Invert: 5.59'

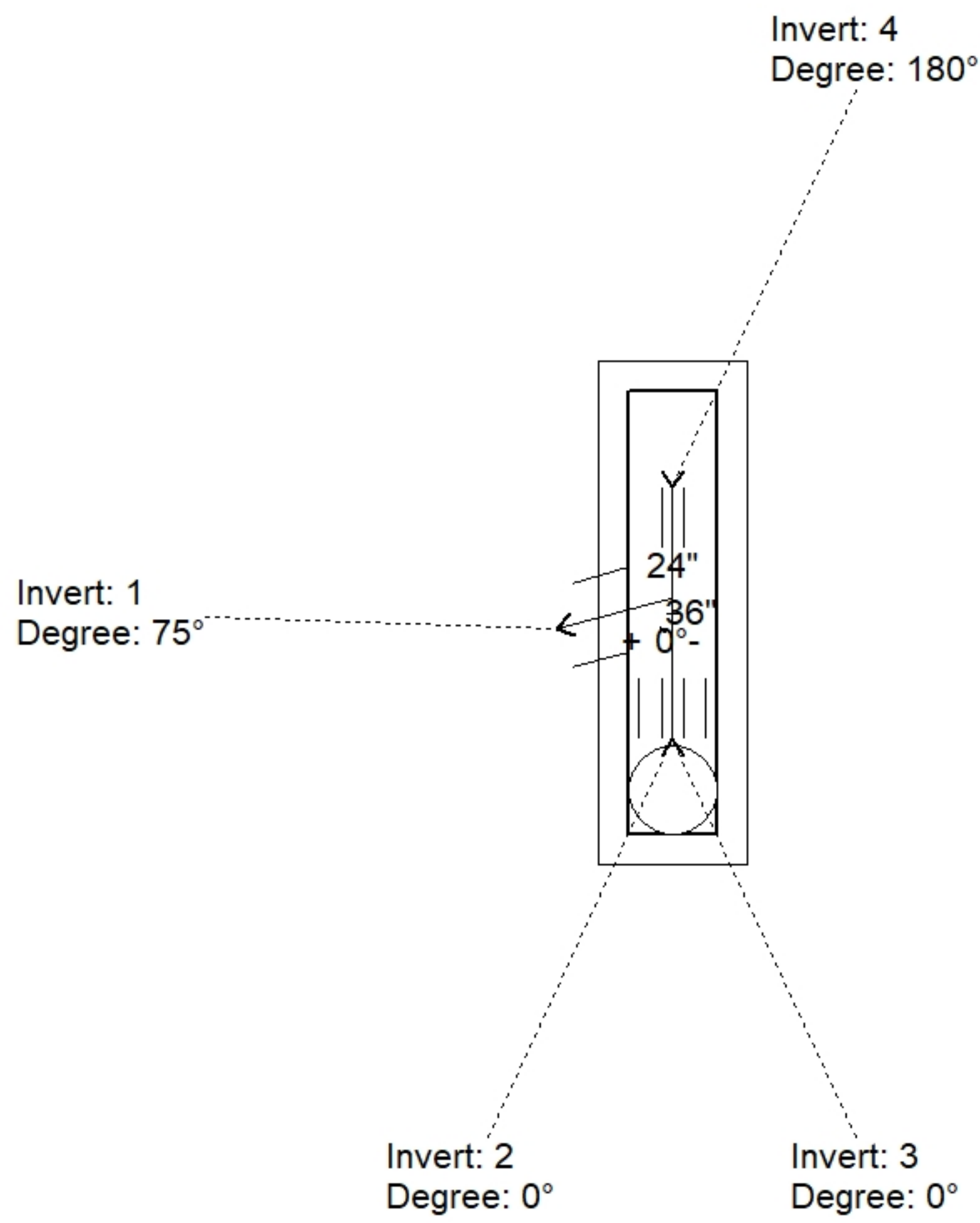
Sump: 0"  
 Floor (Top): 546.51'  
 Floor Height: 8"

Floor (Bot): 545.843'  
 Overall Height: 6.167'  
 Slack: 1.08"

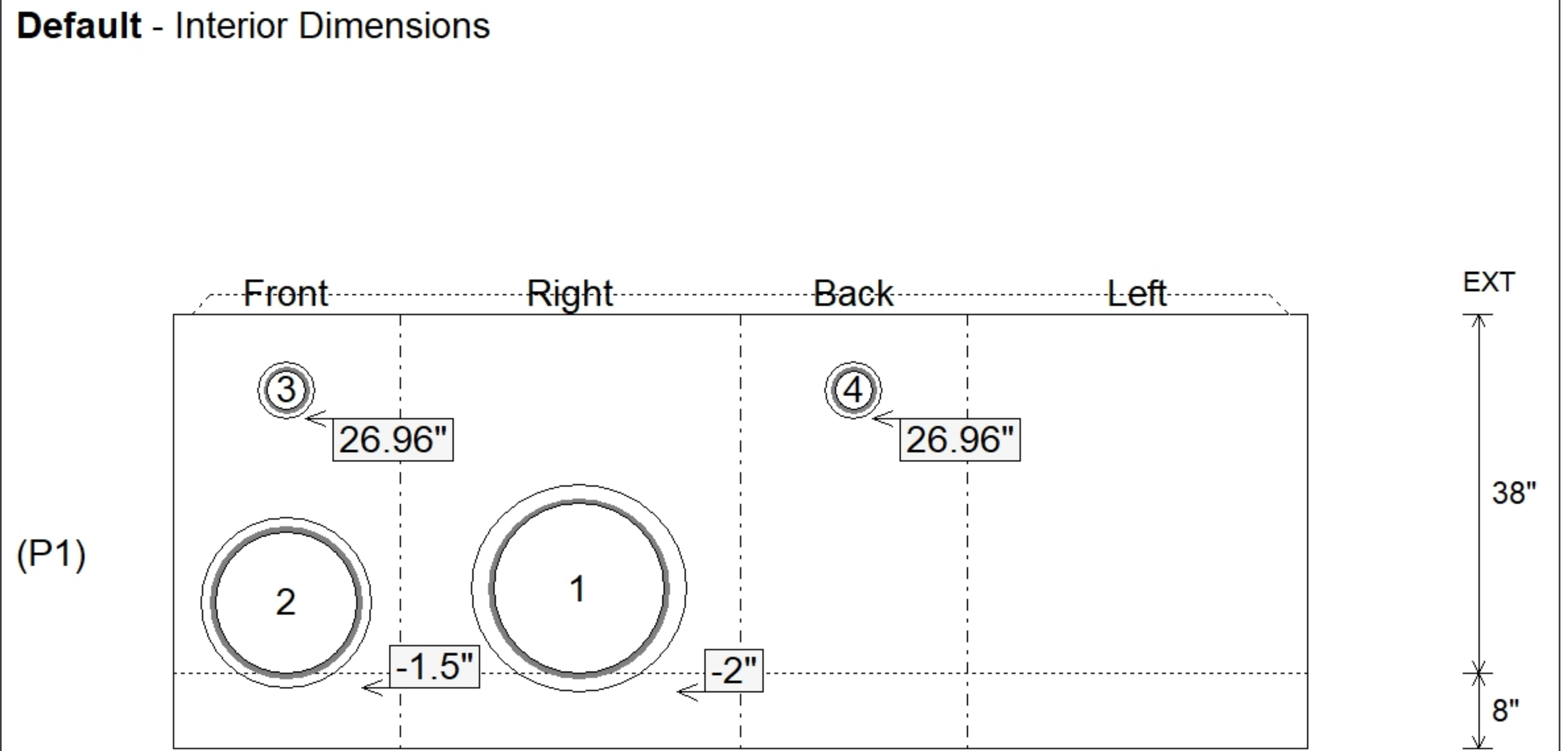
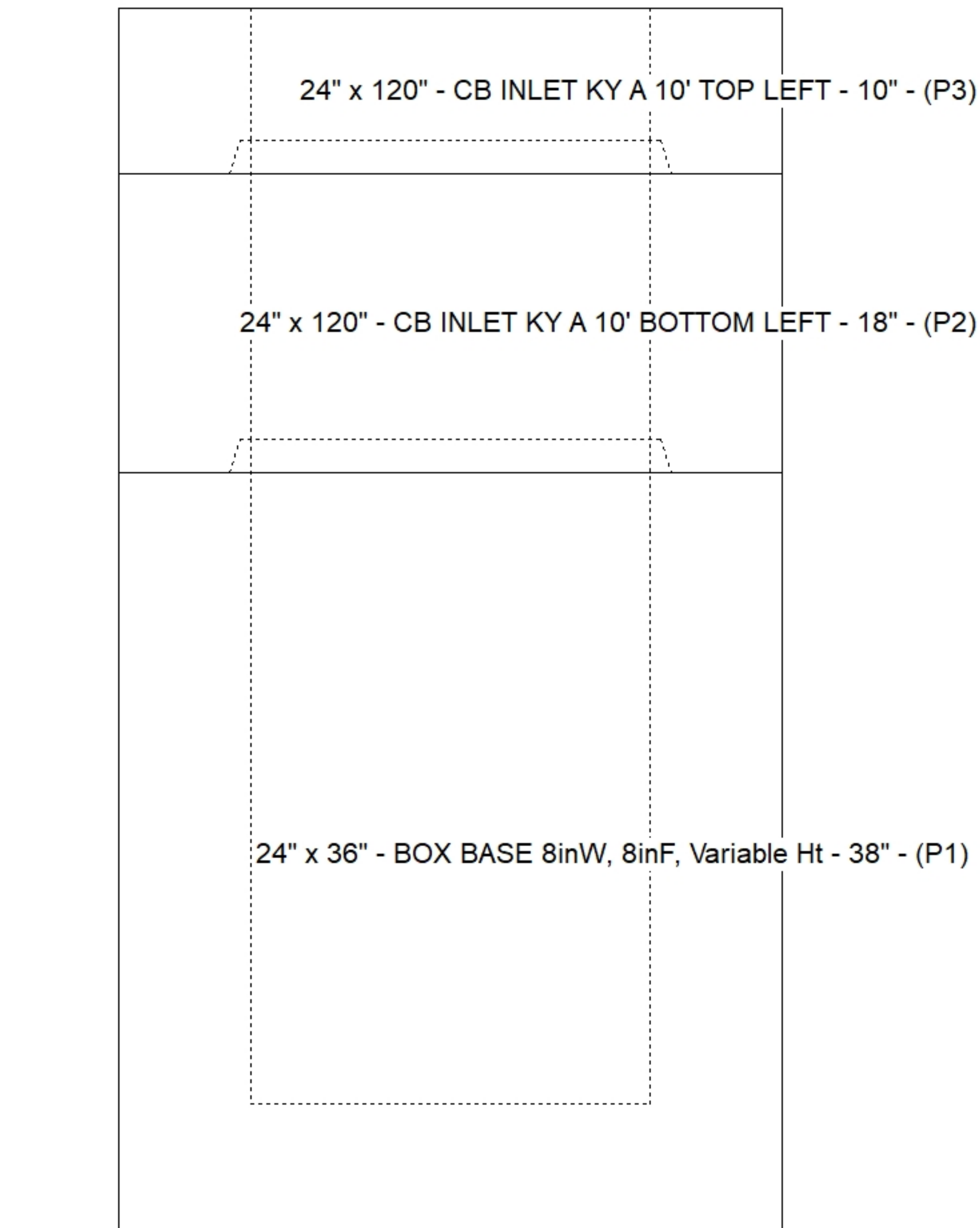
**Structure Notes:**  
 -KYTC STATE PROJECT 241302.  
 -MANUFACTURED TO KYTC & ASTM C-913 SPECIFICATIONS.  
 -#5 BAR @ 12" C/C E.W. (TYP.)  
 -CS-102-1" BUTYL MASTIC (SUPPLIED BY ICAST).  
 -"RIM" ELEVATION SHOWN IS TOP OF CURB/TOP PHASE.

**STRUCTURE SUMMARY:**

P3) 24" x 120" - CB INLET KY A 10' TOP LEFT - 10"	3400 lb
P2) 24" x 120" - CB INLET KY A 10' BOTTOM LEFT - 18"	5270 lb
P1) 24" x 36" - BOX BASE 8inW, 8inF, Variable Ht - 38"	4801 lb
1) 24" x 36" - SGL 1"x14.5' Butyl	0 lb
1) Hole - 22	0 lb
1) Hole - 18	0 lb
2) Hole - 6	0 lb
<b>Structure Total:</b>	<b>13470 lb</b>



Position	Elev	Angle	Pipe	Pipe OD	Hole	Connector	Up (L)	Ref
Rim	552.1'							
Reducer								
Invert 1	546.51'	75°	18" CMP	19"	22"	Hole 22	-2"	P1
Invert 2	546.51'	0°	15" CMP	16"	18"	Hole 18	-1.5"	P1
Invert 3	548.84'	0°	4" HDPE	4.8"	6"	Hole 6	26.96"	P1
Invert 4	548.84'	180°	4" HDPE	4.8"	6"	Hole 6	26.96"	P1
Invert 5								
Invert 6								
Invert 7								
Invert 8								



Submittal Drawing  
 11/14/2025 2:37:11 PM

SUBMITTAL  
 APPROVED BY: