

Job Name: 24-1634D KYTC Christian Co. ID 241302 Thompsonville Ln.
 Job Location: Oak Grove, Ky.
 Contractor: Mick-Murf Construction Inc.

Plant: Beaver Dam
 4/23/2025 3:23:56 PM

Tech: N. Richards
 PC: C. Goff



Structure ID: CBI-90 171+65 LT

P1 BX2436-08BVF

BOX BASE 8inW, 8inF, Variable Ht T/n

P3) 24" x 120" - CB INLET KY A 10' TOP LEFT F/G - 10"	3400 lb
P2) 24" x 120" - CB INLET KY A 10' BOTTOM LEFT T/G - 18"	5270 lb
P1) 24" x 36" - BOX BASE 8inW, 8inF, Variable Ht T/n - 38"	4801 lb
1) 24" x 36" - SGL 1"x14.5' Butyl	0 lb
1) Hole - 22	0 lb
1) Hole - 18	0 lb
2) Hole - 6	0 lb
Structure Total:	13470 lb

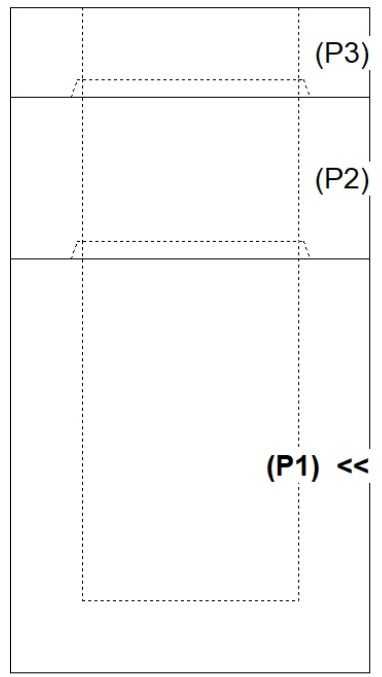
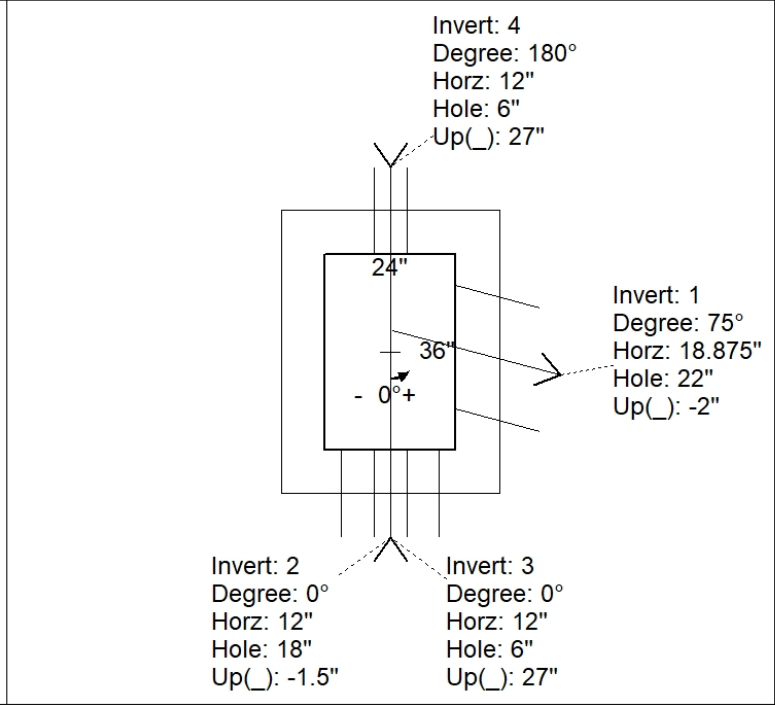
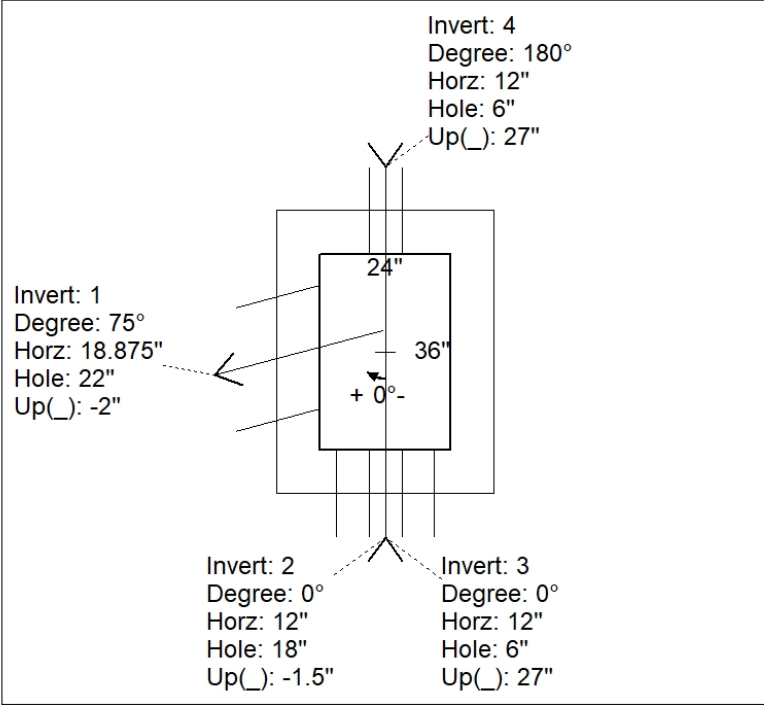
Structure Notes:
 -KYTC STATE PROJECT 241302.
 -MANUFACTURED TO KYTC & ASTM C-913 SPECIFICATIONS.
 -#5 BAR @ 12" C/C E.W. (TYP.)
 -CS-102-1" BUTYL MASTIC (SUPPLIED BY ICAST).
 -"RIM" ELEVATION SHOWN IS TOP OF CURB/TOP PHASE.

Rim: 552.1' Rim to Invert: 5.59' Slack: 1.08" Sump: 0" Step Position:

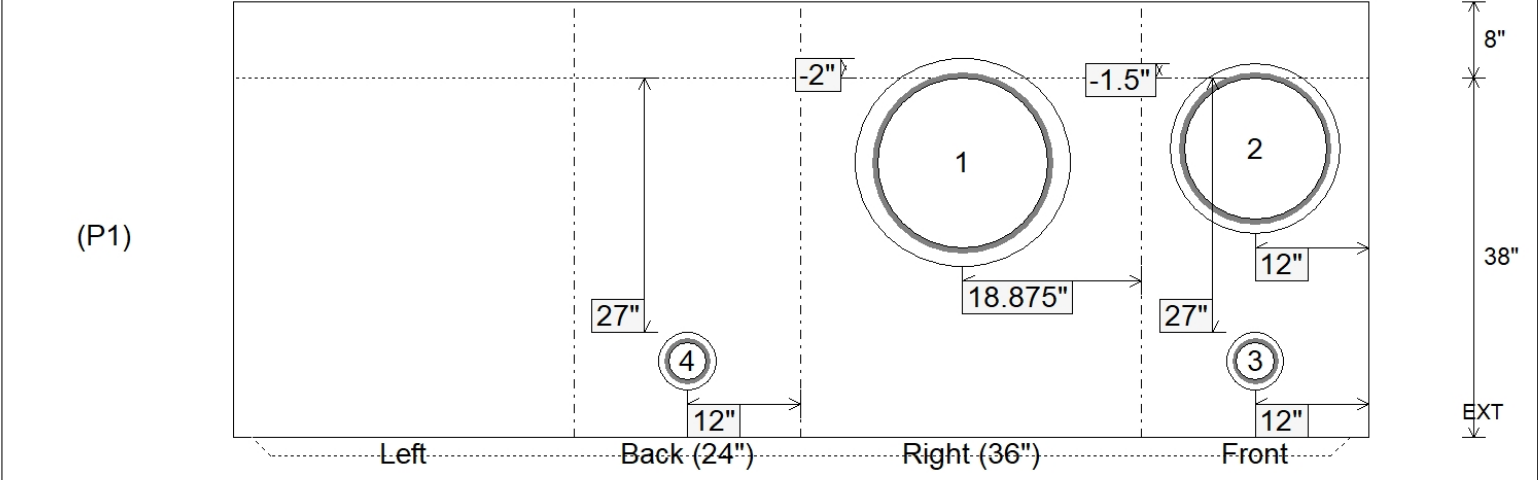
Position	Elev	Angle	Ext. (cw)	Pipe	Pipe OD	Connector	Hole	Horz Size	Up ()	Offset
Invert 1	546.51'	75°	24.75"	18" CMP	19"	Hole 22	22"	22.776"	-2"	4"
Invert 2	546.51'	0°	20"	15" CMP	16"	Hole 18	18"	18"	-1.5"	0"
Invert 3	548.84'	0°	20"	4" HDPE	4.8"	Hole 6	6"	6"	27"	0"
Invert 4	548.84'	180°	20"	4" HDPE	4.8"	Hole 6	6"	6"	27"	0"
Invert 5										
Invert 6										
Invert 7										
Invert 8										

RIGHT-SIDE UP VIEW (int. dimensions)

UPSIDE-DOWN VIEW (int. dimensions)



INSIDE WALL DIMENSIONS



Coating (Int): Coating (Ext):	Seam Up: Tongue Seam Dn: n/a	Wall Thickness: 8" Floor Height: 8"	Height (Int): 38" Height (Ext): 46"	Weight (Net): 4801 lb Volume (Net): 1.23cu.yd
----------------------------------	---------------------------------	--	--	--