

Job Name: 24-1634D KYTC Christian Co. ID 241302 Thompsonville Ln
Job Location: Oak Grove, KY
Contractor: Mick-Murf Construction Inc.

PC: C. Goff
 TECH: N. Richards
 Plant: Beaver Dam



Structure ID: CBI-77 159+00 LT
 Spec: KYTC
 Type: CBI TYPE A (10')
 Size: 48" x 48"

Rim: 537.67'
 Invert: 531.49'
 Rim to Invert: 6.18'

Sump: 0"
 Floor (Top): 531.49'
 Floor Height: 8"

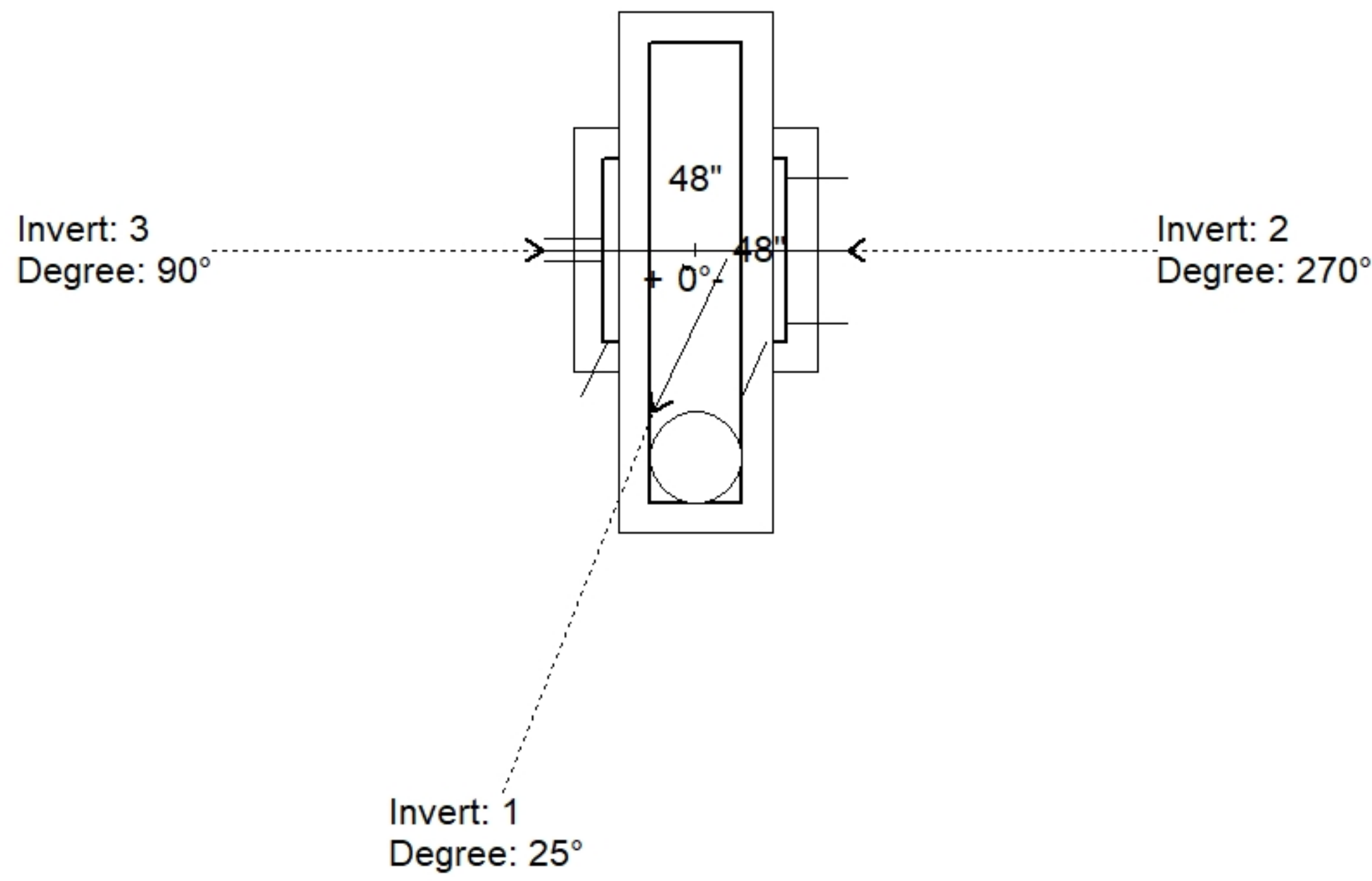
Floor (Bot): 530.823'
 Overall Height: 6.75'
 Slack: 1.16"

Structure Notes:

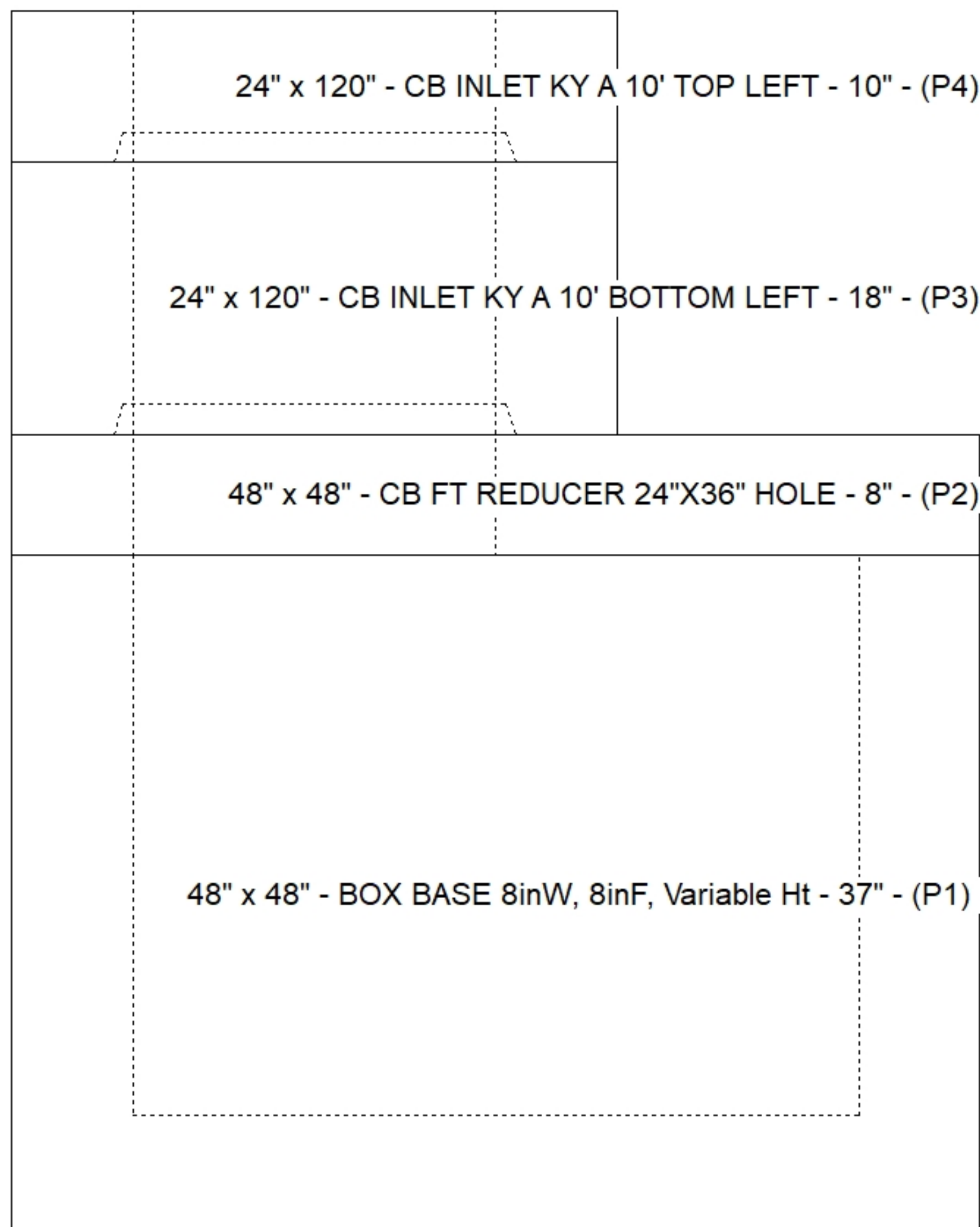
- KYTC STATE PROJECT 241302.
- MANUFACTURED TO KYTC & ASTM C-913 SPECIFICATIONS.
- #5 BAR @ 12" C/C E.W. (TYP.)
- CS-102-1" BUTYL MASTIC (SUPPLIED BY ICAST).
- "RIM" ELEVATION SHOWN IS TOP OF CURB/TOP PHASE.

STRUCTURE SUMMARY:

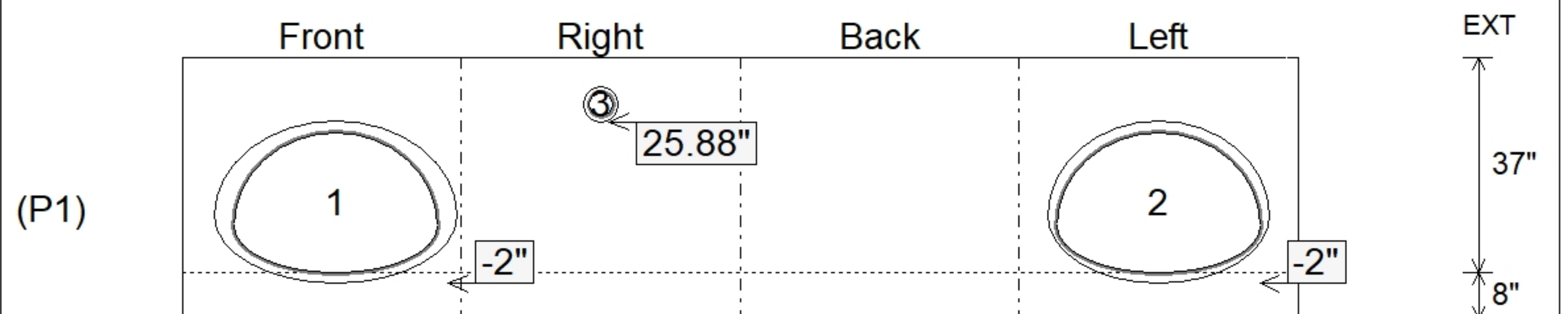
P4) 24" x 120" - CB INLET KY A 10' TOP LEFT - 10"	3400 lb
P3) 24" x 120" - CB INLET KY A 10' BOTTOM LEFT - 18"	5270 lb
P2) 48" x 48" - CB FT REDUCER 24"X36" HOLE - 8"	2170 lb
P1) 48" x 48" - BOX BASE 8inW, 8inF, Variable Ht - 37"	7114 lb
1) 24" x 36" - SGL 1"x14.5' Butyl	0 lb
2) 38" x 28" - Arched Hole (CMP)	0 lb
1) Hole - 6	0 lb
Structure Total:	17954 lb



Position	Elev	Angle	Pipe	Pipe OD	Hole	Connector	Up (")	Ref
Rim	537.67'							
Reducer	534.573'							
Invert 1	531.49'	25°	35" x 24" CMP ARCH	36" x 25"	38" x 28"	38" x 28" Arched Hole (CMP)	-2"	P1
Invert 2	531.49'	270°	35" x 24" CMP ARCH	36" x 25"	38" x 28"	38" x 28" Arched Hole (CMP)	-2"	P1
Invert 3	533.73'	90°	4" HDPE	4.8"	6"	Hole 6	25.88"	P1
Invert 4								
Invert 5								
Invert 6								
Invert 7								
Invert 8								



Default - Interior Dimensions



Submittal Drawing
 11/14/2025 2:37:10 PM

SUBMITTAL
 APPROVED BY: