

Job Name: 24-1634D KYTC Christian Co. ID 241302 Thompsonville Ln.
 Job Location: Oak Grove, Ky.
 Contractor: Mick-Murf Construction Inc.

Plant: Beaver Dam
 4/23/2025 3:23:46 PM

Tech: N. Richards
 PC: C. Goff



Structure ID: CBI-77 159+00 LT

P1 BX4848-08BAVF

BOX BASE 8inW, 8inF, Variable Ht F/n

P4) 24" x 120" - CB INLET KY A 10' TOP LEFT F/G - 10"	3400 lb
P3) 24" x 120" - CB INLET KY A 10' BOTTOM LEFT T/G - 18"	5270 lb
P2) 48" x 48" - CB FT REDUCER 24"X36" HOLE T/F - 8"	2170 lb
P1) 48" x 48" - BOX BASE 8inW, 8inF, Variable Ht F/n - 37"	7114 lb
1) 24" x 36" - SGL 1"x14.5' Butyl	0 lb
2) 38" x 28" - Arched Hole (CMP)	0 lb
1) Hole - 6	0 lb
Structure Total:	17954 lb

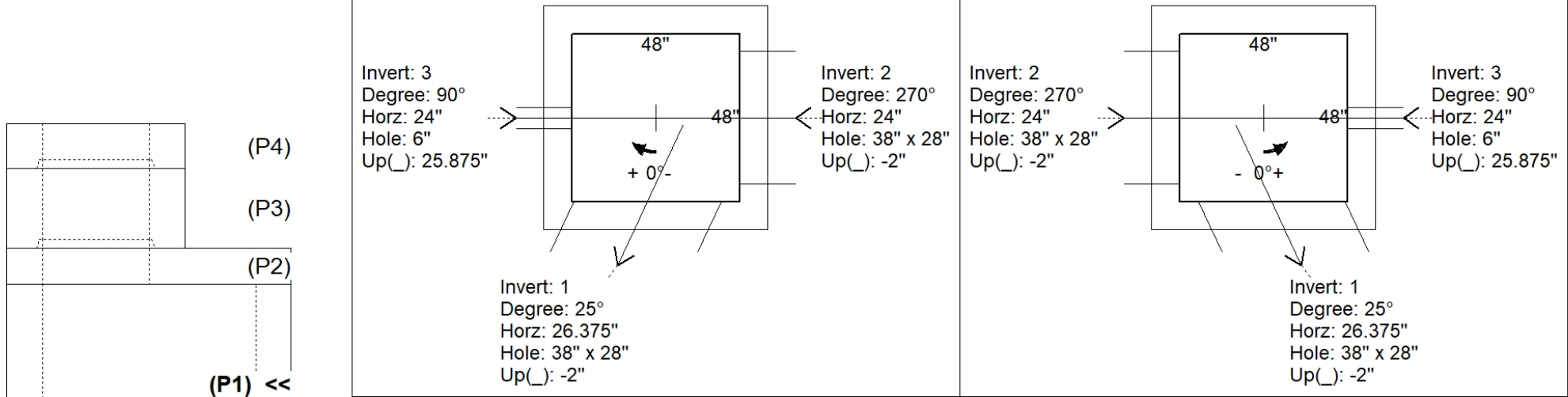
Structure Notes:
 -KYTC STATE PROJECT 241302.
 -MANUFACTURED TO KYTC & ASTM C-913 SPECIFICATIONS.
 -#5 BAR @ 12" C/C E.W. (TYP.)
 -CS-102-1" BUTYL MASTIC (SUPPLIED BY ICAST).
 -"RIM" ELEVATION SHOWN IS TOP OF CURB/TOP PHASE.

Rim: 537.67' Rim to Invert: 6.18' Slack: 1.16" Sump: 0" Step Position:

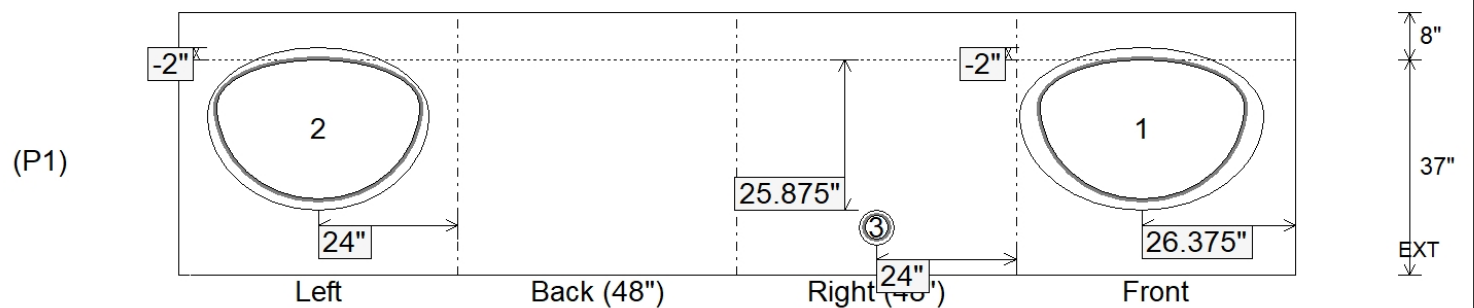
Position	Elev	Angle	Ext. (cw)	Pipe	Pipe OD	Connector	Hole	Horz Size	Up ()	Offset
Invert 1	531.49'	25°	38.125"	35" x 24" CMP ARCH	36" x 25"	38" x 28" Arched Hole (CMP)	38" x 28"	41.928"	-2"	-8"
Invert 2	531.49'	270°	32"	35" x 24" CMP ARCH	36" x 25"	38" x 28" Arched Hole (CMP)	38" x 28"	38"	-2"	0"
Invert 3	533.73'	90°	32"	4" HDPE	4.8"	Hole 6	6"	6"	25.875"	0"
Invert 4										
Invert 5										
Invert 6										
Invert 7										
Invert 8										

RIGHT-SIDE UP VIEW (int. dimensions)

UPSIDE-DOWN VIEW (int. dimensions)



INSIDE WALL DIMENSIONS



Coating (Int): Coating (Ext):	Seam Up: Flat Seam Dn: n/a	Wall Thickness: 8" Floor Height: 8"	Height (Int): 37" Height (Ext): 45"	Weight (Net): 7114 lb Volume (Net): 1.82cu.yd
----------------------------------	-------------------------------	--	--	--