

Job Name: 24-1634D KYTC Christian Co. ID 241302 Thompsonville Ln.
 Job Location: Oak Grove, Ky.
 Contractor: Mick-Murf Construction Inc.

Plant: Beaver Dam
 4/23/2025 3:23:42 PM

Tech: N. Richards
 PC: C. Goff



Structure ID: CBI-75 158+66 LT

P1 BX4848-08BAVF

BOX BASE 8inW, 8inF, Variable Ht F/n

| | |
|--|-----------------|
| P4) 24" x 120" - CB INLET KY A 10' TOP SAG F/G - 10" | 3398 lb |
| P3) 24" x 120" - CB INLET KY A 10' BOTTOM SAG T/G - 18" | 5270 lb |
| P2) 48" x 48" - CB FT REDUCER 24"X36" HOLE T/F - 8" | 2170 lb |
| P1) 48" x 48" - BOX BASE 8inW, 8inF, Variable Ht F/n - 35" | 6853 lb |
| 1) 24" x 36" - SGL 1"x14.5' Butyl | 0 lb |
| 2) 38" x 28" - Arched Hole (CMP) | 0 lb |
| 2) Hole - 6 | 0 lb |
| Structure Total: | 17690 lb |

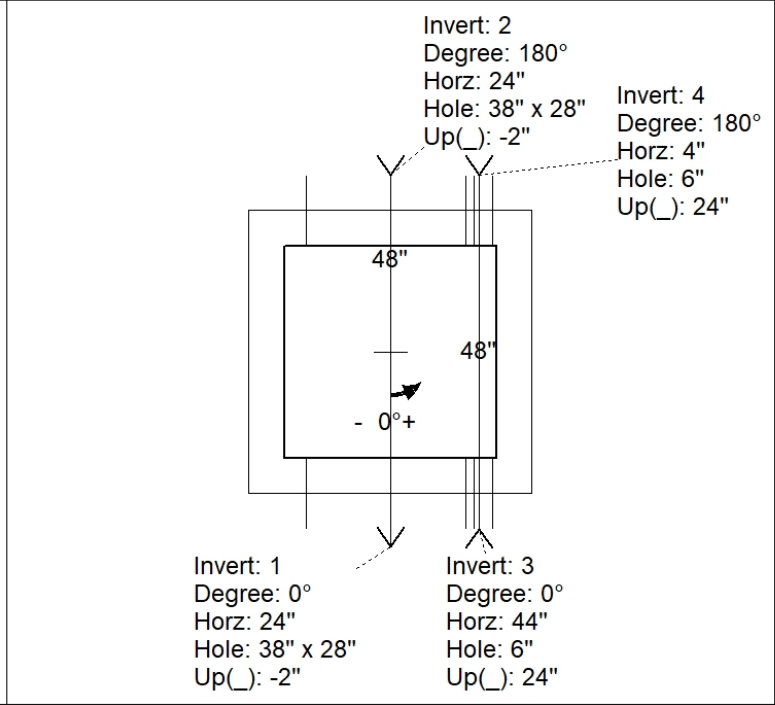
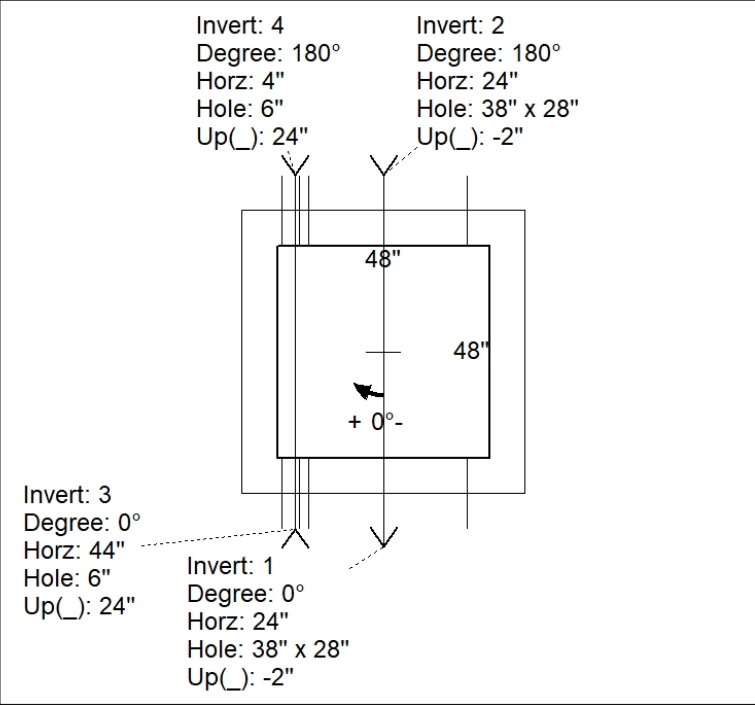
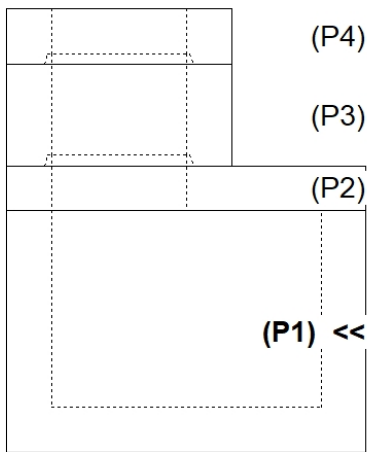
Structure Notes:
 -KYTC STATE PROJECT 241302.
 -MANUFACTURED TO KYTC & ASTM C-913 SPECIFICATIONS.
 -#5 BAR @ 12" C/C E.W. (TYP.)
 -CS-102-1" BUTYL MASTIC (SUPPLIED BY ICAST).
 -"RIM" ELEVATION SHOWN IS TOP OF CURB/TOP PHASE.

Rim: 537.63' Rim to Invert: 6.04' Slack: 1.48' Sump: 0" Step Position:

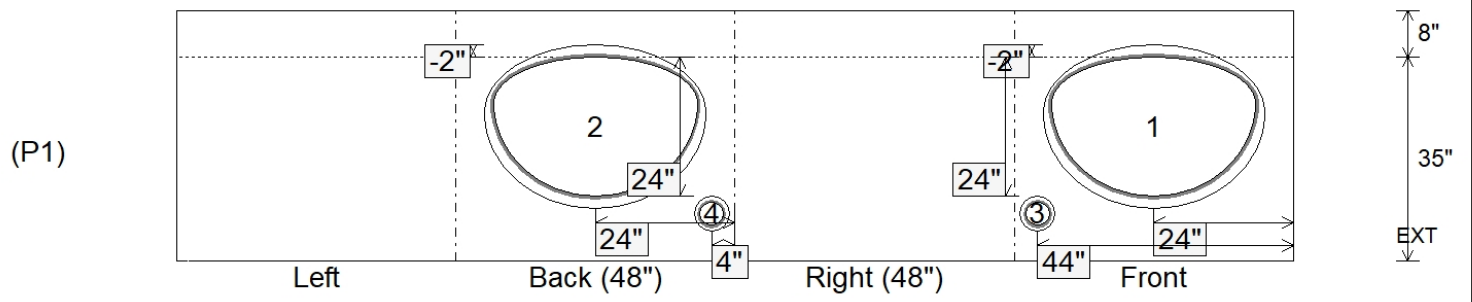
| Position | Elev | Angle | Ext. (cw) | Pipe | Pipe OD | Connector | Hole | Horz Size | Up () | Offset |
|----------|---------|-------|-----------|--------------------|-----------|-----------------------------|-----------|-----------|--------|--------|
| Invert 1 | 531.59' | 0° | 32" | 35" x 24" CMP ARCH | 36" x 25" | 38" x 28" Arched Hole (CMP) | 38" x 28" | 38" | -2" | 0" |
| Invert 2 | 531.59' | 180° | 32" | 35" x 24" CMP ARCH | 36" x 25" | 38" x 28" Arched Hole (CMP) | 38" x 28" | 38" | -2" | 0" |
| Invert 3 | 533.67' | 0° | 52" | 4" HDPE | 4.8" | Hole 6 | 6" | 6" | 24" | 20" |
| Invert 4 | 533.67' | 180° | 12" | 4" HDPE | 4.8" | Hole 6 | 6" | 6" | 24" | -20" |
| Invert 5 | | | | | | | | | | |
| Invert 6 | | | | | | | | | | |
| Invert 7 | | | | | | | | | | |
| Invert 8 | | | | | | | | | | |

RIGHT-SIDE UP VIEW (int. dimensions)

UPSIDE-DOWN VIEW (int. dimensions)



INSIDE WALL DIMENSIONS



| | | | | |
|----------------------------------|-------------------------------|--|--|--|
| Coating (Int): Coating (Ext): | Seam Up: Flat Seam Dn: n/a | Wall Thickness: 8" Floor Height: 8" | Height (Int): 35" Height (Ext): 43" | Weight (Net): 6853 lb Volume (Net): 1.75cu.yd |
|----------------------------------|-------------------------------|--|--|--|