

Job Name: 24-1634D KYTC Christian Co. ID 241302 Thompsonville Ln
Job Location: Oak Grove, KY
Contractor: Mick-Murf Construction Inc.

PC: C. Goff
 TECH: N. Richards
 Plant: Beaver Dam



Structure ID: **CBI-73 158+30 LT**
 Spec: KYTC
 Type: CBI TYPE A (10')
 Size: 48" x 48"

Rim: 537.68'
 Invert: 531.7'
 Rim to Invert: 5.98'

Sump: 0"
 Floor (Top): 531.7'
 Floor Height: 8"

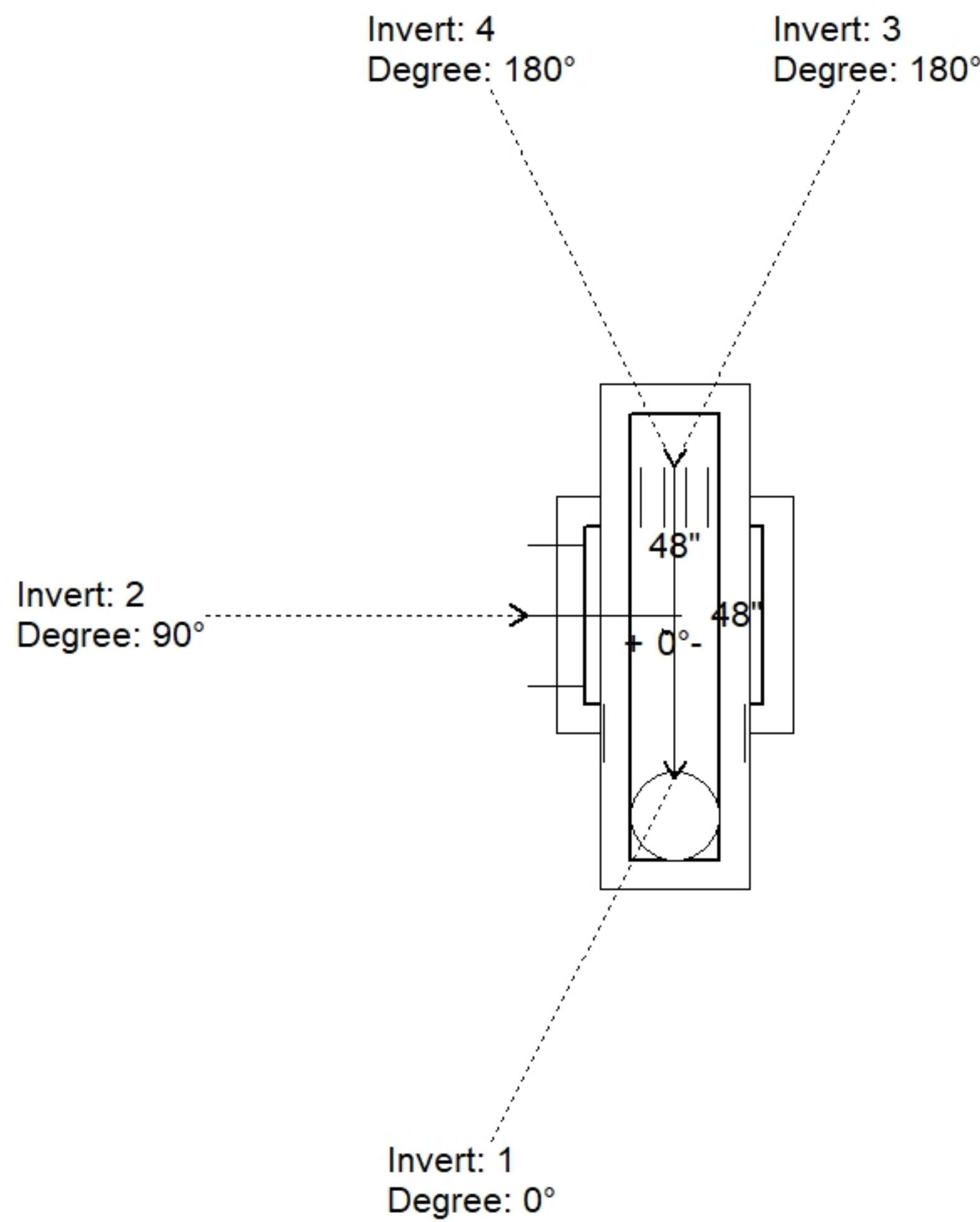
Floor (Bot): 531.033'
 Overall Height: 6.5'
 Slack: 1.76"

Structure Notes:

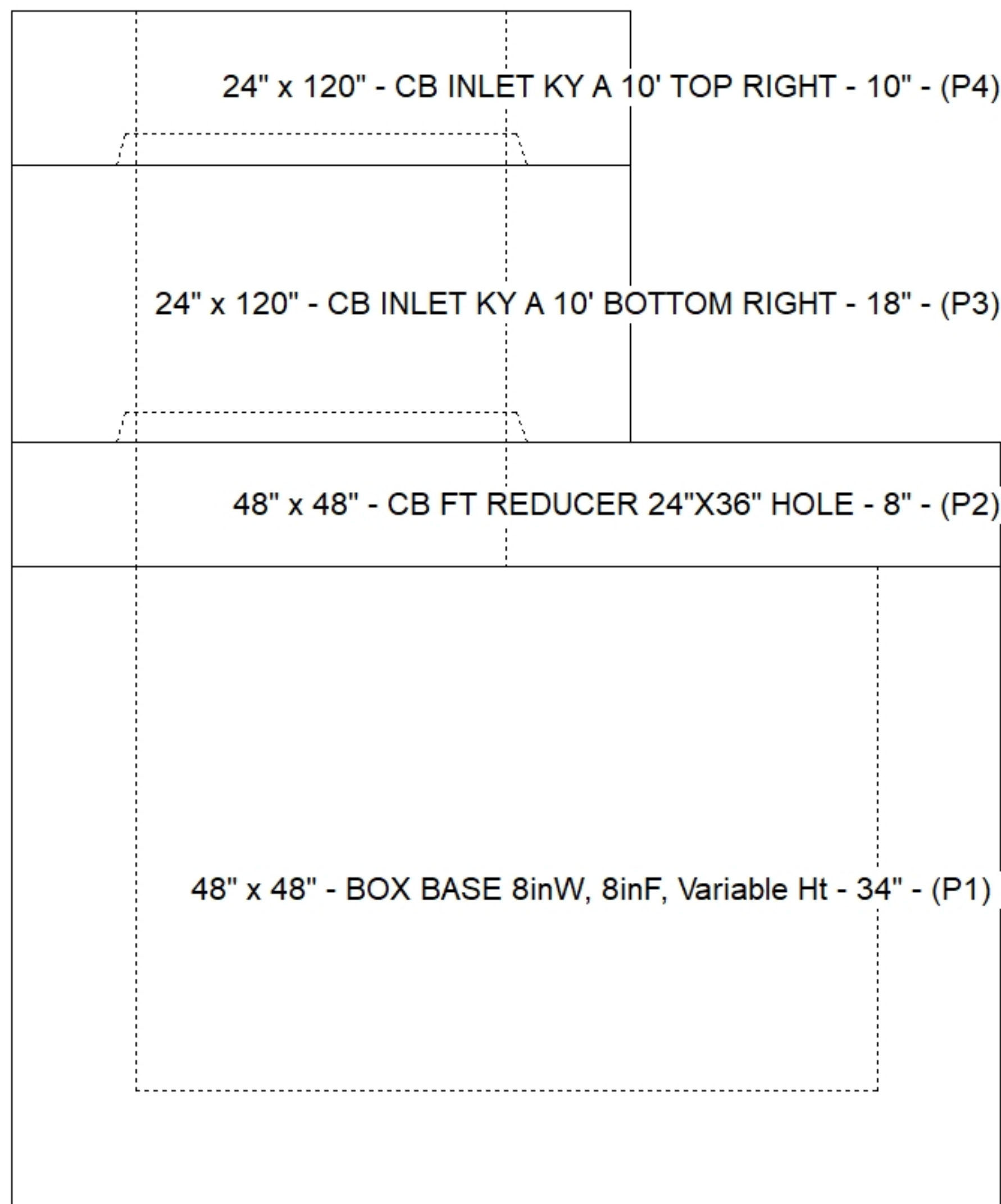
- KYTC STATE PROJECT 241302.
- MANUFACTURED TO KYTC & ASTM C-913 SPECIFICATIONS.
- #5 BAR @ 12" C/C E.W. (TYP.)
- CS-102-1" BUTYL MASTIC (SUPPLIED BY ICAST).
- "RIM" ELEVATION SHOWN IS TOP OF CURB/TOP PHASE.
- I.E. OF 18" CROSS PIPE FROM CBI 60 TO BE VERIFIED.
- (SHEETS R23 AND R120 VARY).

STRUCTURE SUMMARY:

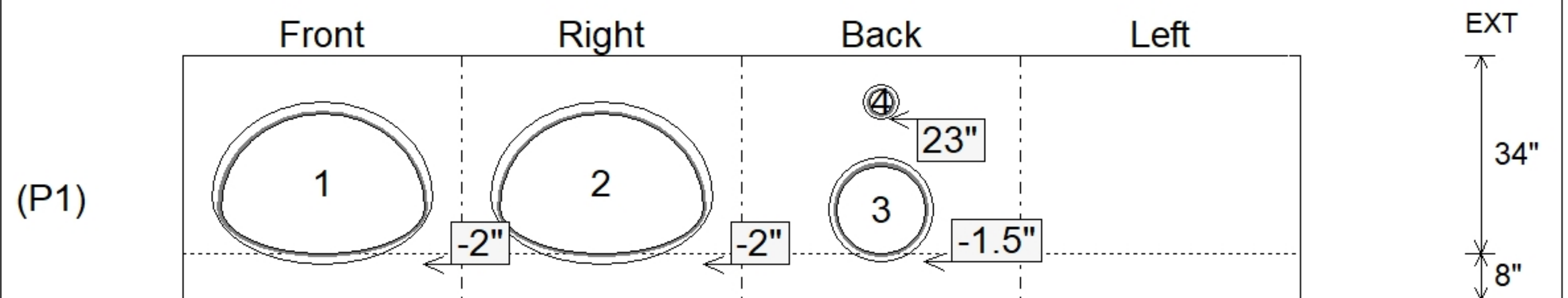
P4) 24" x 120" - CB INLET KY A 10' TOP RIGHT - 10"	3398 lb
P3) 24" x 120" - CB INLET KY A 10' BOTTOM RIGHT - 18"	5270 lb
P2) 48" x 48" - CB FT REDUCER 24"X36" HOLE - 8"	2170 lb
P1) 48" x 48" - BOX BASE 8inW, 8inF, Variable Ht - 34"	6550 lb
1) 24" x 36" - SGL 1"x14.5' Butyl	0 lb
2) 38" x 28" - Arched Hole (CMP)	0 lb
1) Hole - 18	0 lb
1) Hole - 6	0 lb
Structure Total:	17388 lb



Position	Elev	Angle	Pipe	Pipe OD	Hole	Connector	Up ()	Ref
Rim	537.68'							
Reducer	534.533'							
Invert 1	531.7'	0°	35" x 24" CMP ARCH	36" x 25"	38" x 28"	38" x 28" Arched Hole (CMP)	-2"	P1
Invert 2	531.7'	90°	35" x 24" CMP ARCH	36" x 25"	38" x 28"	38" x 28" Arched Hole (CMP)	-2"	P1
Invert 3	531.7'	180°	15" CMP	16"	18"	Hole 18	-1.5"	P1
Invert 4	533.7'	180°	4" HDPE	4.8"	6"	Hole 6	23"	P1
Invert 5								
Invert 6								
Invert 7								
Invert 8								



Default - Interior Dimensions



Submittal Drawing
 11/14/2025 2:37:07 PM

SUBMITTAL
 APPROVED BY: