

Job Name: 24-1634D KYTC Christian Co. ID 241302 Thompsonville Ln.
 Job Location: Oak Grove, Ky.
 Contractor: Mick-Murf Construction Inc.

Plant: Beaver Dam
 4/23/2025 3:23:31 PM

Tech: N. Richards
 PC: C. Goff



Structure ID: CBI-64 149+57 LT

P1 BX2436-08BVF

BOX BASE 8inW, 8inF, Variable Ht T/n

P3) 24" x 120" - CB INLET KY A 10' TOP SAG F/G - 10"	3398 lb
P2) 24" x 120" - CB INLET KY A 10' BOTTOM SAG T/G - 18"	5270 lb
P1) 24" x 36" - BOX BASE 8inW, 8inF, Variable Ht T/n - 37"	4623 lb
1) 24" x 36" - SGL 1"x14.5' Butyl	0 lb
2) Hole - 22	0 lb
2) Hole - 6	0 lb
Structure Total:	13291 lb

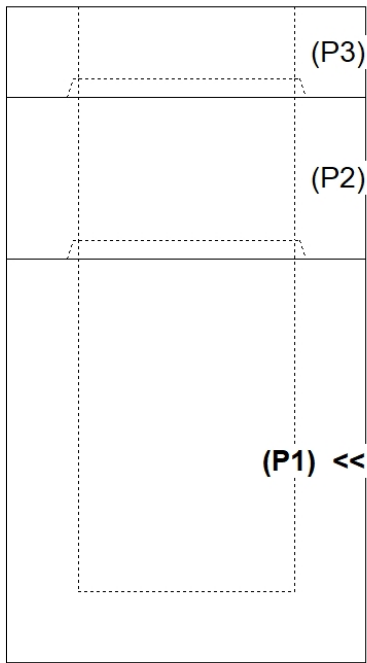
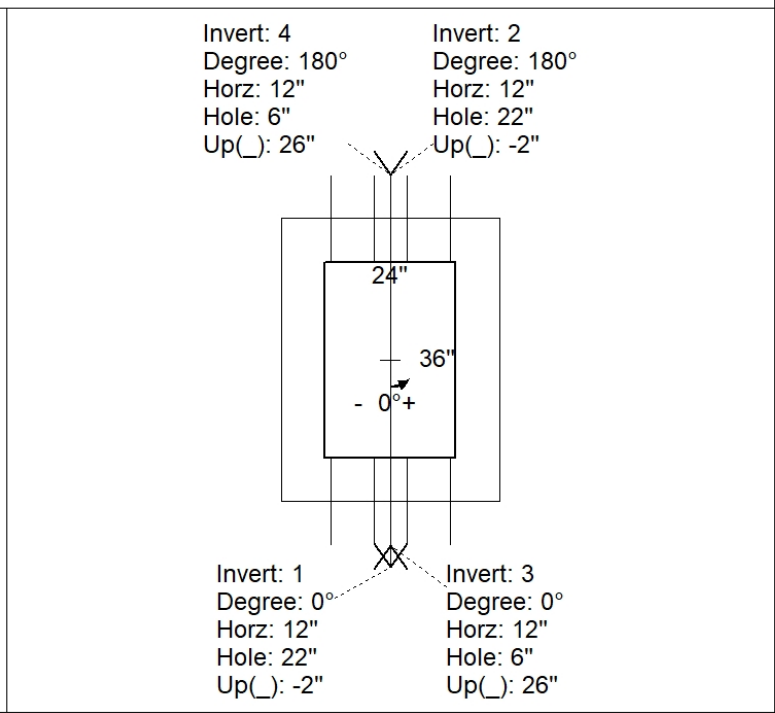
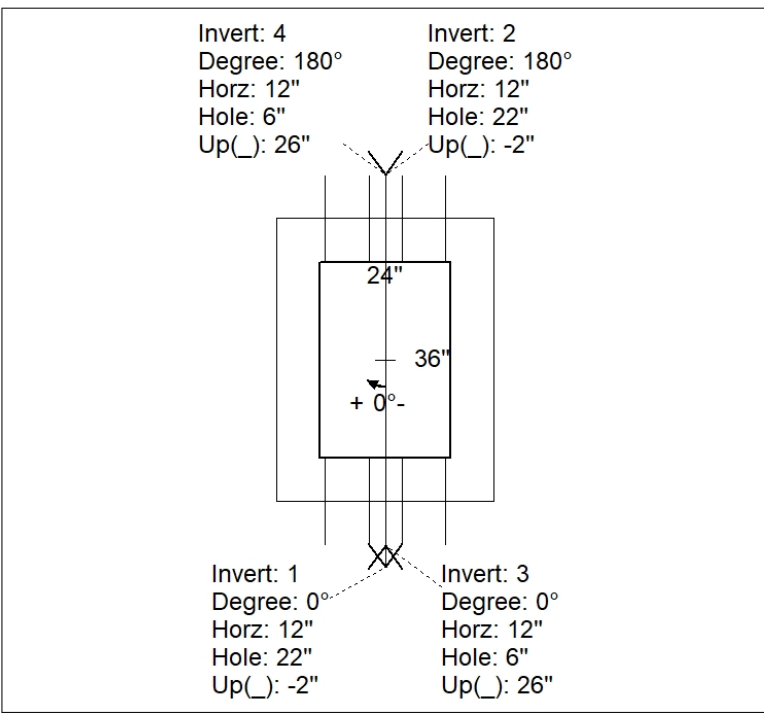
Structure Notes:
 -KYTC STATE PROJECT 241302.
 -MANUFACTURED TO KYTC & ASTM C-913 SPECIFICATIONS.
 -#5 BAR @ 12" C/C E.W. (TYP.)
 -CS-102-1" BUTYL MASTIC (SUPPLIED BY ICAST).
 -"RIM" ELEVATION SHOWN IS TOP OF CURB/TOP PHASE.

Rim: 537.37' Rim to Invert: 5.53' Slack: 1.36' Sump: 0" Step Position:

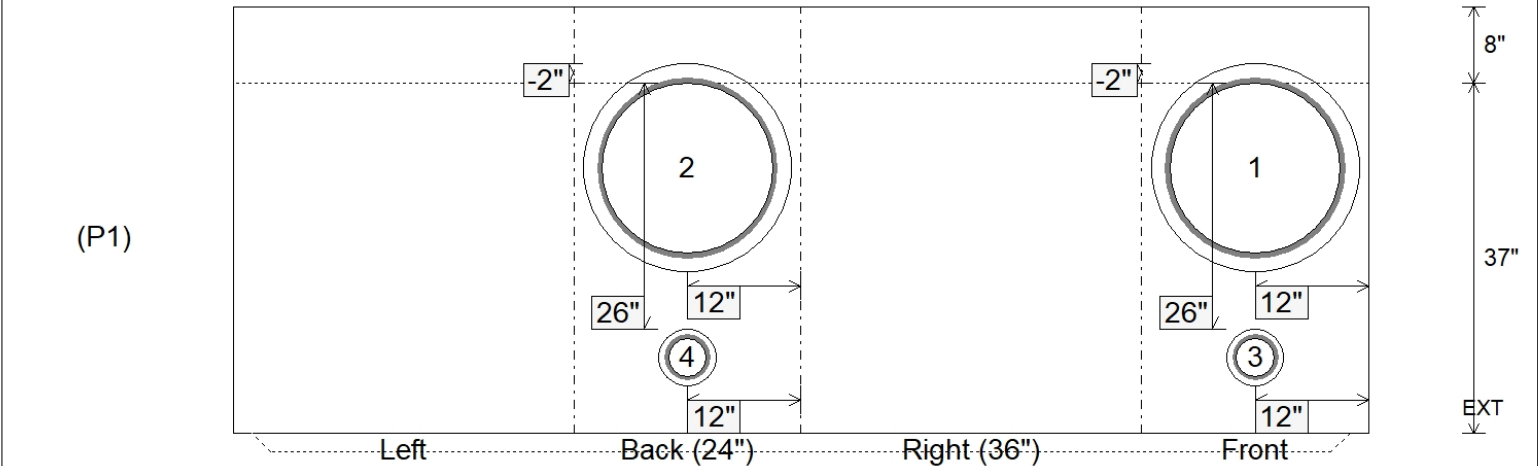
Position	Elev	Angle	Ext. (cw)	Pipe	Pipe OD	Connector	Hole	Horz Size	Up ()	Offset
Invert 1	531.84'	0°	20"	18" CMP	19"	Hole 22	22"	22"	-2"	0"
Invert 2	531.84'	180°	20"	18" CMP	19"	Hole 22	22"	22"	-2"	0"
Invert 3	534.09'	0°	20"	4" HDPE	4.8"	Hole 6	6"	6"	26"	0"
Invert 4	534.09'	180°	20"	4" HDPE	4.8"	Hole 6	6"	6"	26"	0"
Invert 5										
Invert 6										
Invert 7										
Invert 8										

RIGHT-SIDE UP VIEW (int. dimensions)

UPSIDE-DOWN VIEW (int. dimensions)



INSIDE WALL DIMENSIONS



Coating (Int): Coating (Ext):	Seam Up: Tongue Seam Dn: n/a	Wall Thickness: 8" Floor Height: 8"	Height (Int): 37" Height (Ext): 45"	Weight (Net): 4623 lb Volume (Net): 1.18cu.yd
----------------------------------	---------------------------------	--	--	--