

Job Name: 24-1634D KYTC Christian Co. ID 241302 Thompsonville Ln
Job Location: Oak Grove, KY
Contractor: Mick-Murf Construction Inc.

PC: C. Goff
 TECH: N. Richards
 Plant: Beaver Dam



Structure ID: **CBI-46 134+50 LT**
 Spec: KYTC
 Type: CBI TYPE A (10')
 Size: 24" x 36"

Rim: 544.5'
 Invert: 539.75'
 Rim to Invert: 4.75'

Sump: 0"
 Floor (Top): 539.75'
 Floor Height: 8"

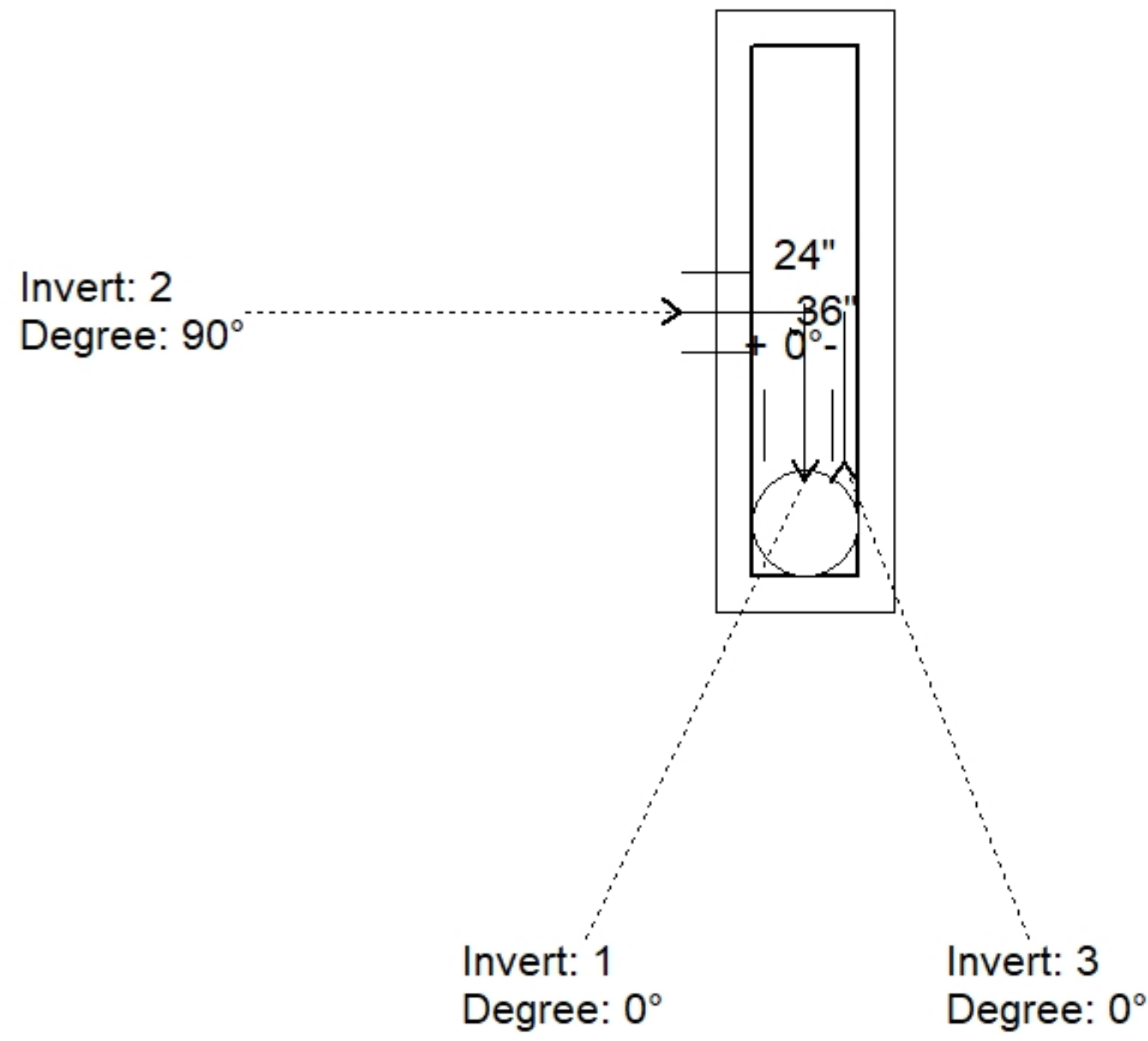
Floor (Bot): 539.083'
 Overall Height: 5.333'
 Slack: 1"

Structure Notes:

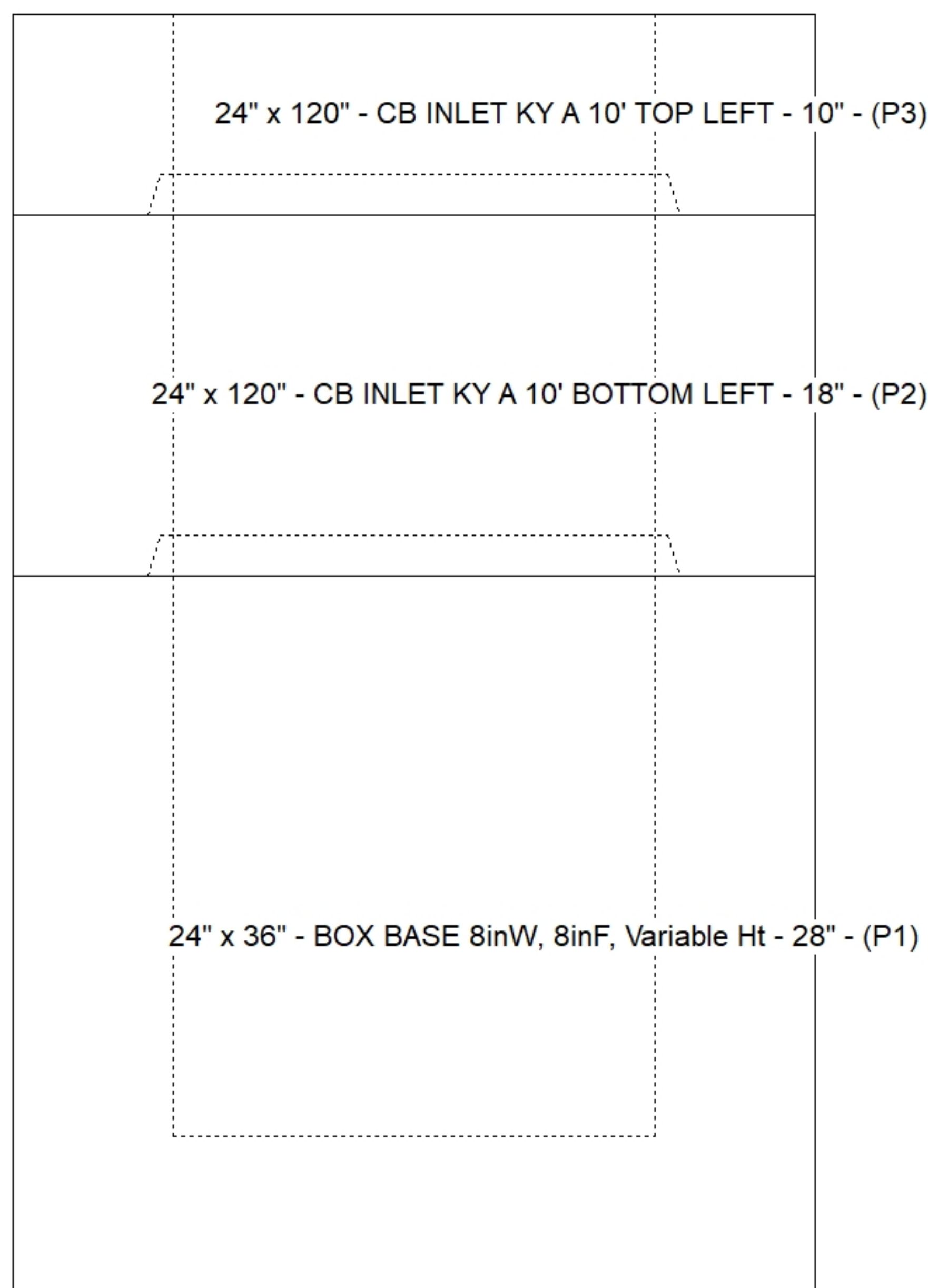
- KYTC STATE PROJECT 241302.
- MANUFACTURED TO KYTC & ASTM C-913 SPECIFICATIONS.
- #5 BAR @ 12" C/C E.W. (TYP.)
- CS-102-1" BUTYL MASTIC (SUPPLIED BY ICAST).
- "RIM" ELEVATION SHOWN IS TOP OF CURB/TOP PHASE.

STRUCTURE SUMMARY:

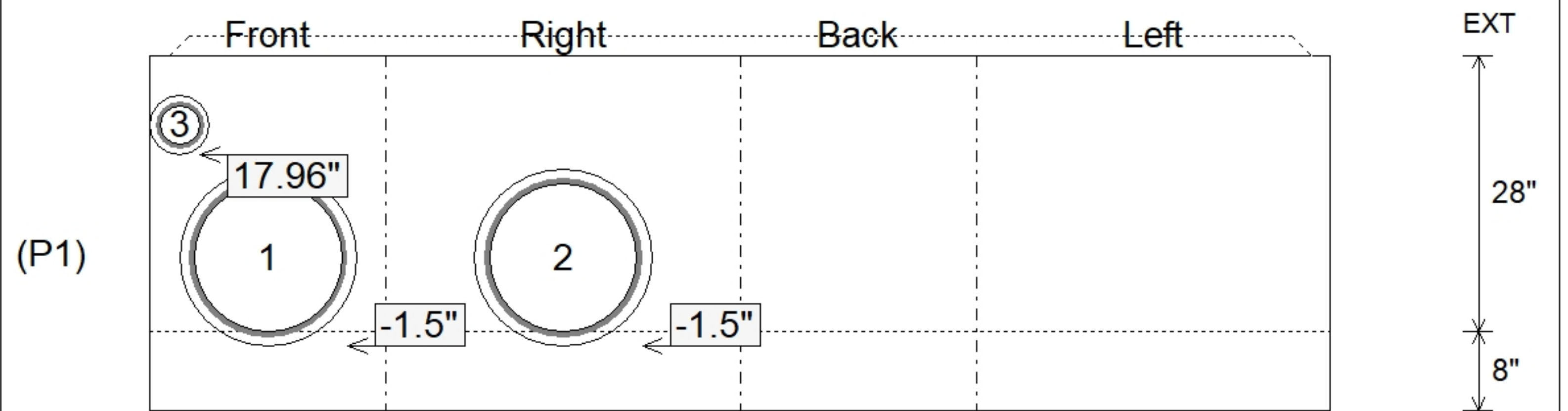
P3) 24" x 120" - CB INLET KY A 10' TOP LEFT - 10"	3400 lb
P2) 24" x 120" - CB INLET KY A 10' BOTTOM LEFT - 18"	5270 lb
P1) 24" x 36" - BOX BASE 8inW, 8inF, Variable Ht - 28"	3926 lb
1) 24" x 36" - SGL 1"x14.5' Butyl	0 lb
2) Hole - 18	0 lb
1) Hole - 6	0 lb
Structure Total:	12595 lb



Position	Elev	Angle	Pipe	Pipe OD	Hole	Connector	Up (L)	Ref
Rim	544.5'							
Reducer								
Invert 1	539.75'	0°	15" CMP	16"	18"	Hole 18	-1.5"	P1
Invert 2	539.75'	90°	15" CMP	16"	18"	Hole 18	-1.5"	P1
Invert 3	541.33'	0°	4" HDPE	4.8"	6"	Hole 6	17.96"	P1
Invert 4								
Invert 5								
Invert 6								
Invert 7								
Invert 8								



Default - Interior Dimensions



Submittal Drawing
 11/14/2025 2:37:01 PM

SUBMITTAL
 APPROVED BY: