

Job Name: 24-1634D KYTC Christian Co. ID 241302 Thompsonville Ln
Job Location: Oak Grove, KY
Contractor: Mick-Murf Construction Inc.

PC: C. Goff
 TECH: N. Richards
 Plant: Beaver Dam



Structure ID: CBI-26 122+50 LT
 Spec: KYTC
 Type: CBI TYPE A (10')
 Size: 24" x 36"

Rim: 542.1'
 Invert: 537.31'
 Rim to Invert: 4.79'

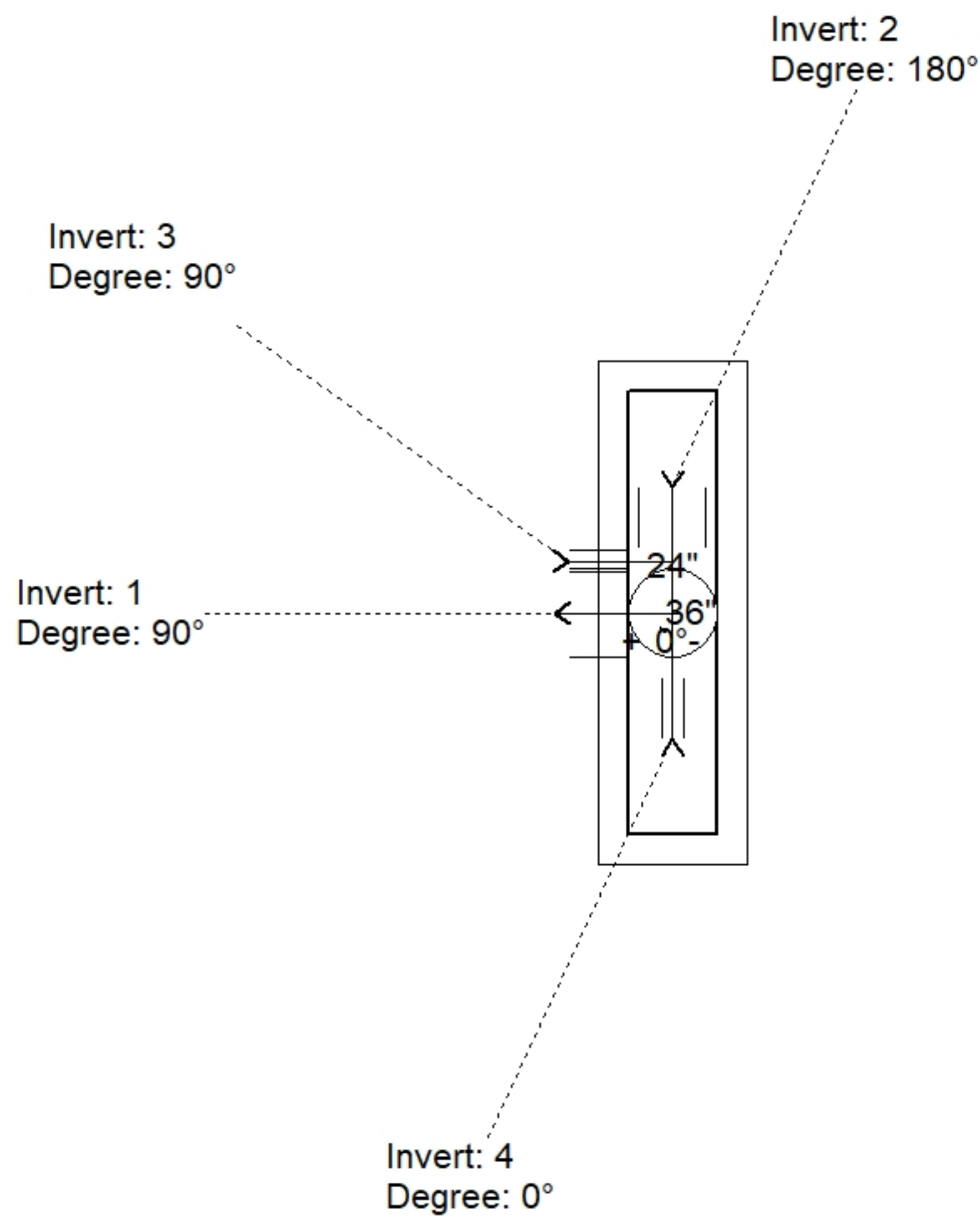
Sump: 0"
 Floor (Top): 537.31'
 Floor Height: 8"

Floor (Bot): 536.643'
 Overall Height: 5.333'
 Slack: 1.48"

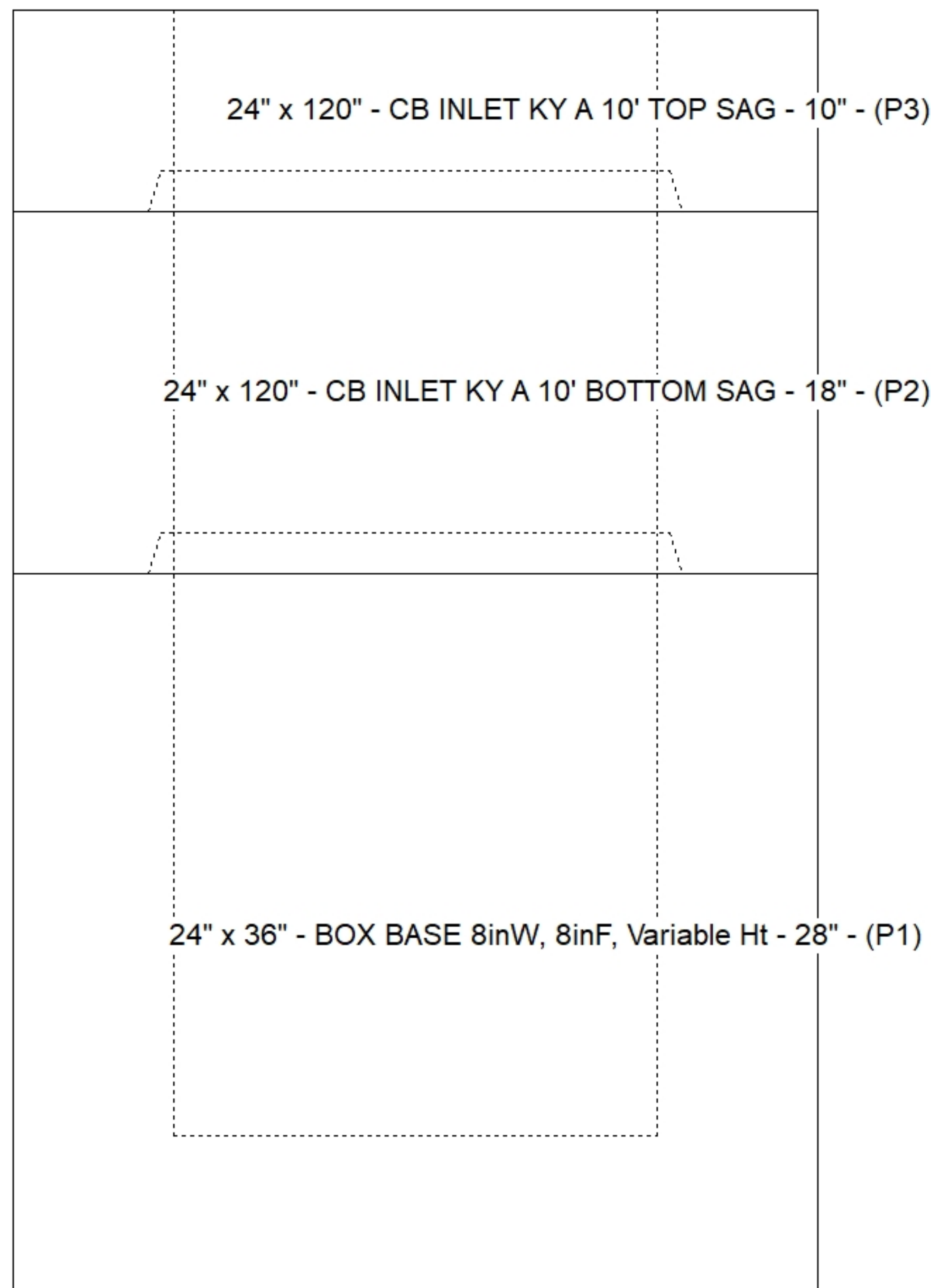
Structure Notes:
 -KYTC STATE PROJECT 241302.
 -MANUFACTURED TO KYTC & ASTM C-913 SPECIFICATIONS.
 -#5 BAR @ 12" C/C E.W. (TYP.)
 -CS-102-1" BUTYL MASTIC (SUPPLIED BY ICAST).
 -"RIM" ELEVATION SHOWN IS TOP OF CURB/TOP PHASE.

STRUCTURE SUMMARY:

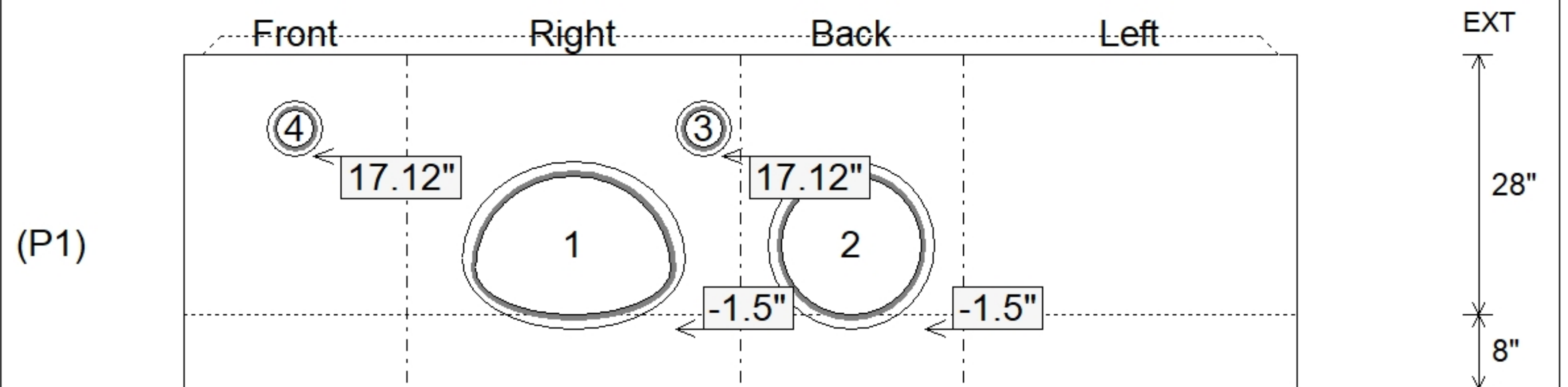
P3) 24" x 120" - CB INLET KY A 10' TOP SAG - 10"	3398 lb
P2) 24" x 120" - CB INLET KY A 10' BOTTOM SAG - 18"	5270 lb
P1) 24" x 36" - BOX BASE 8inW, 8inF, Variable Ht - 28"	3817 lb
1) 24" x 36" - SGL 1"x14.5' Butyl	0 lb
1) 24" x 18" - Arched Hole (CMP)	0 lb
1) Hole - 18	0 lb
2) Hole - 6	0 lb
Structure Total:	12485 lb



Position	Elev	Angle	Pipe	Pipe OD	Hole	Connector	Up (")	Ref
Rim	542.1'							
Reducer								
Invert 1	537.31'	90°	21" x 15" CMP ARCH	22" x 16"	24" x 18"	24" x 18" Arched Hole (CMP)	-1.5"	P1
Invert 2	537.31'	180°	15" CMP	16"	18"	Hole 18	-1.5"	P1
Invert 3	538.82'	90°	4" HDPE	4.8"	6"	Hole 6	17.12"	P1
Invert 4	538.82'	0°	4" HDPE	4.8"	6"	Hole 6	17.12"	P1
Invert 5								
Invert 6								
Invert 7								
Invert 8								



Default - Interior Dimensions



Submittal Drawing
 11/14/2025 2:36:59 PM

SUBMITTAL
 APPROVED BY: