

Structure ID: CBI-25 121+84 LT

P1 BX2436-08BVF

BOX BASE 8inW, 8inF, Variable Ht T/n

P3) 24" x 120" - CB INLET KY A 10' TOP RIGHT F/G - 10" P2) 24" x 120" - CB INLET KY A 10' BOTTOM RIGHT T/G - 18" P1) 24" x 36" - BOX BASE 8inW, 8inF, Variable Ht T/n - 28" 1) 24" x 36" - SGL 1"x14.5' Butyl 2) Hole - 18 2) Hole - 6	3398 lb 5270 lb 3874 lb 0 lb 0 lb 0 lb ----- Structure Total: 12542 lb
---	---

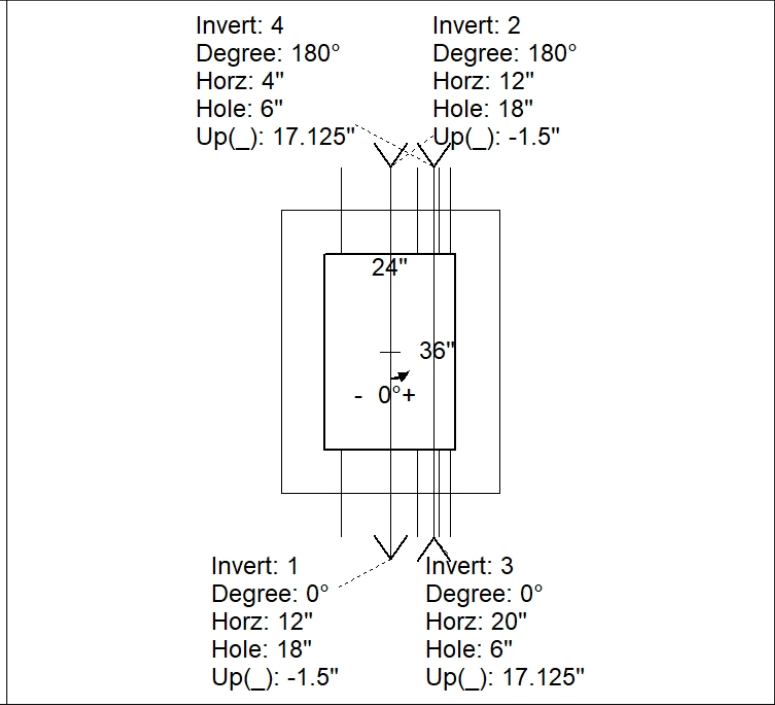
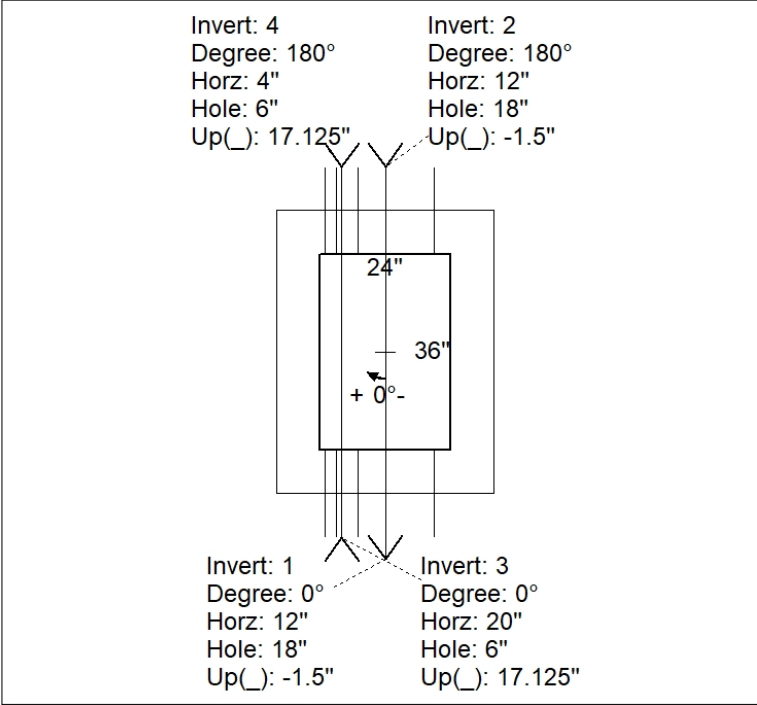
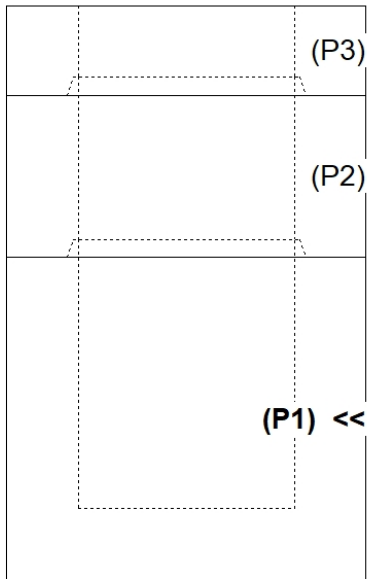
Structure Notes:
 -KYTC STATE PROJECT 241302.
 -MANUFACTURED TO KYTC & ASTM C-913 SPECIFICATIONS.
 -#5 BAR @ 12" C/C E.W. (TYP.)
 -CS-102-1" BUTYL MASTIC (SUPPLIED BY ICAST).
 -"RIM" ELEVATION SHOWN IS TOP OF CURB/TOP PHASE.

Rim: 542.26' Rim to Invert: 4.75' Slack: 1" Sump: 0" Step Position:

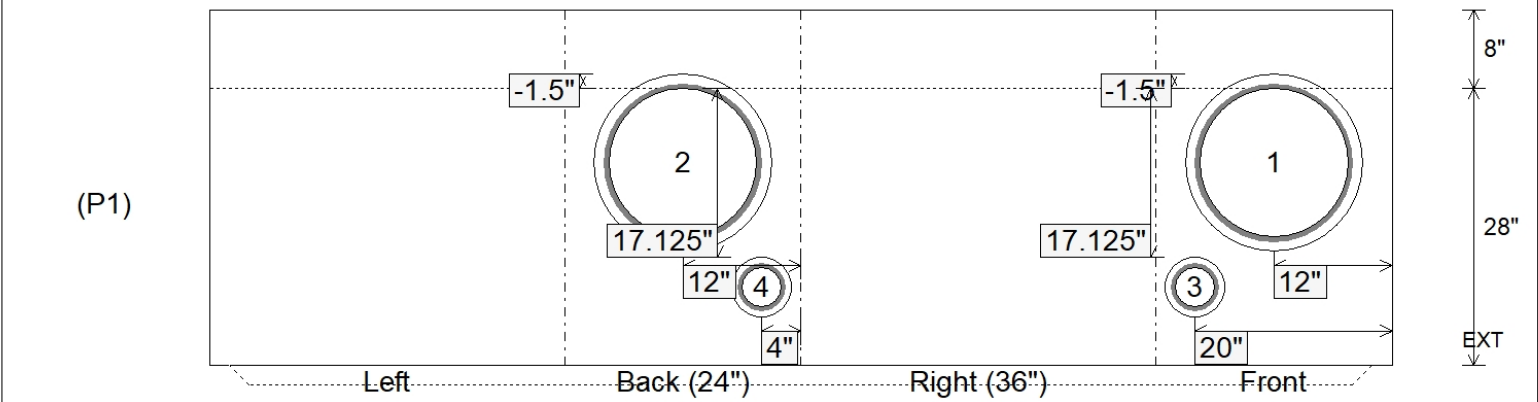
Position	Elev	Angle	Ext. (cw)	Pipe	Pipe OD	Connector	Hole	Horz Size	Up ()	Offset
Invert 1	537.51'	0°	20"	15" CMP	16"	Hole 18	18"	18"	-1.5"	0"
Invert 2	537.51'	180°	20"	15" CMP	16"	Hole 18	18"	18"	-1.5"	0"
Invert 3	539.02'	0°	28"	4" HDPE	4.8"	Hole 6	6"	6"	17.125"	8"
Invert 4	539.02'	180°	12"	4" HDPE	4.8"	Hole 6	6"	6"	17.125"	-8"
Invert 5										
Invert 6										
Invert 7										
Invert 8										

RIGHT-SIDE UP VIEW (int. dimensions)

UPSIDE-DOWN VIEW (int. dimensions)



INSIDE WALL DIMENSIONS



Coating (Int): Coating (Ext):	Seam Up: Tongue Seam Dn: n/a	Wall Thickness: 8" Floor Height: 8"	Height (Int): 28" Height (Ext): 36"	Weight (Net): 3874 lb Volume (Net): 0.99cu.yd
----------------------------------	---------------------------------	--	--	--