

**Structure ID: CBI-117 186+03 LT**

**P1 BX3636-08BAVF**

**BOX BASE 8inW, 8inF, Variable Ht F/n**

P4) 24" x 120" - CB INLET KY A 10' TOP SAG F/G - 10" P3) 24" x 120" - CB INLET KY A 10' BOTTOM SAG T/G - 18" P2) 36" x 36" - CB TRANSITION SLAB 24"X36" HOLE T/F - 8" P1) 36" x 36" - BOX BASE 8inW, 8inF, Variable Ht F/n - 28" 1) 36" x 36" - SGL 1"x14.5' Butyl (2x) 1) 32" x 24" - Arched Hole (CMP) 2) Hole - 22 2) Hole - 6	3398 lb 5270 lb 1235 lb 4211 lb 0 lb 0 lb 0 lb 0 lb 0 lb ----- <b>Structure Total: 14114 lb</b>
--	---

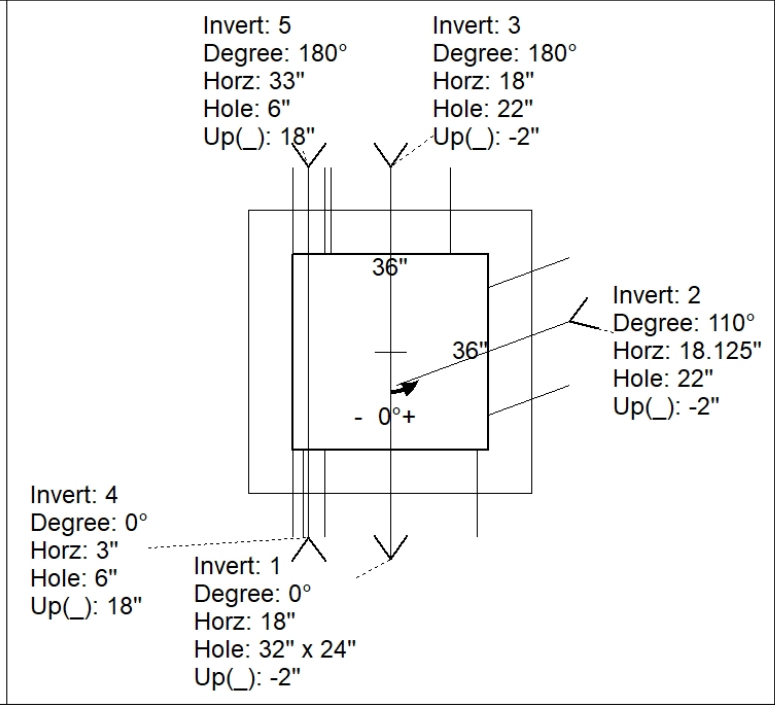
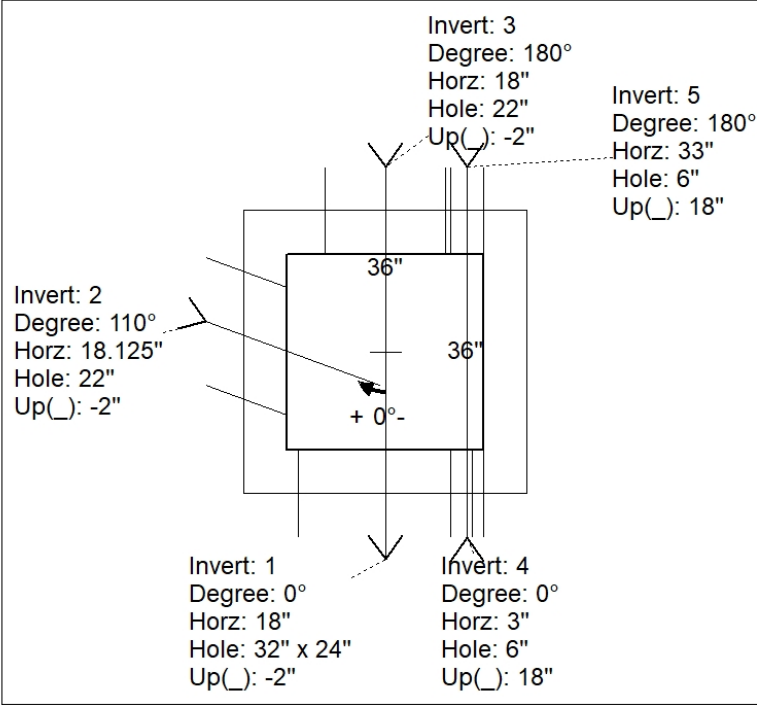
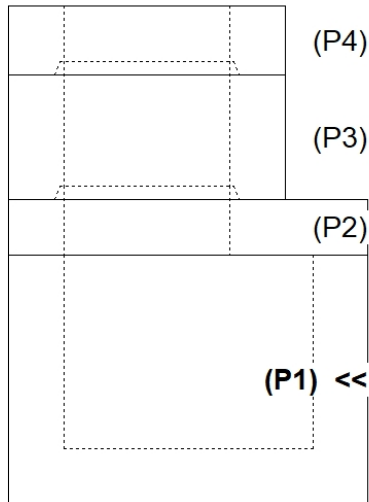
**Structure Notes:**  
 -KYTC STATE PROJECT 241302.  
 -MANUFACTURED TO KYTC & ASTM C-913 SPECIFICATIONS.  
 -#5 BAR @ 12" C/C E.W. (TYP.)  
 -CS-102-1" BUTYL MASTIC (SUPPLIED BY ICAST).  
 -"RIM" ELEVATION SHOWN IS TOP OF CURB/TOP PHASE.

Rim: 571'      Rim to Invert: 5.34'      Slack: 0.08"      Sump: 0"      Step Position:

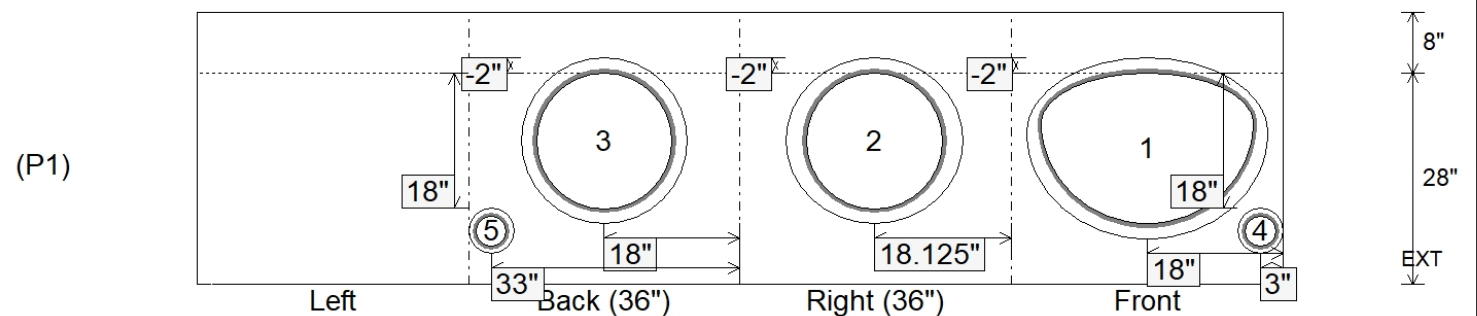
Position	Elev	Angle	Ext. (cw)	Pipe	Pipe OD	Connector	Hole	Horz Size	Up ( )	Offset
Invert 1	565.66'	0°	26"	28" x 20" CMP ARCH	29" x 21"	32" x 24" Arched Hole (CMP)	32" x 24"	32"	-2"	0"
Invert 2	565.66'	110°	29.125"	18" CMP	19"	Hole 22	22"	23.412"	-2"	-6"
Invert 3	565.66'	180°	26"	18" CMP	19"	Hole 22	22"	22"	-2"	0"
Invert 4	567.24'	0°	11"	4" HDPE	4.8"	Hole 6	6"	6"	18"	-15"
Invert 5	567.24'	180°	41"	4" HDPE	4.8"	Hole 6	6"	6"	18"	15"
Invert 6										
Invert 7										
Invert 8										

**RIGHT-SIDE UP VIEW (int. dimensions)**

**UPSIDE-DOWN VIEW (int. dimensions)**



**INSIDE WALL DIMENSIONS**



Coating (Int): Coating (Ext):	Seam Up: Flat Seam Dn: n/a	Wall Thickness: 8" Floor Height: 8"	Height (Int): 28" Height (Ext): 36"	Weight (Net): 4211 lb Volume (Net): 1.08cu.yd
----------------------------------	-------------------------------	--	--	--