

**Job Name: 24-1634D KYTC Christian Co. ID 241302 Thompsonville Ln**  
**Job Location: Oak Grove, KY**  
**Contractor: Mick-Murf Construction Inc.**

PC: C. Goff  
 TECH: N. Richards  
 Plant: Beaver Dam



Structure ID: CBI-110 184+50 LT  
 Spec: KYTC  
 Type: CBI TYPE A (10')  
 Size: 36" x 36"

Rim: 571.22'  
 Invert: 565.19'  
 Rim to Invert: 6.03'

Sump: 0"  
 Floor (Top): 565.19'  
 Floor Height: 8"

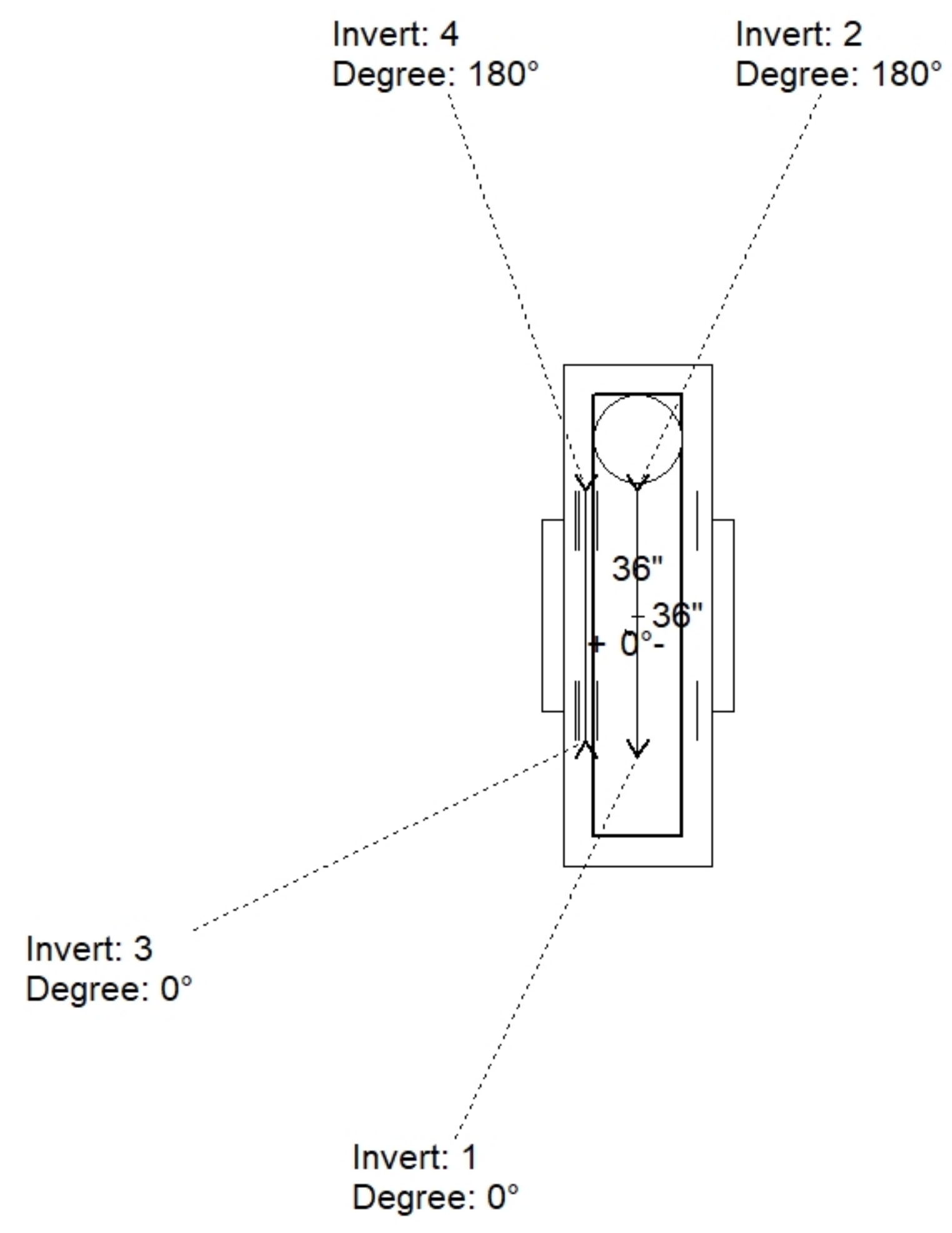
Floor (Bot): 564.523'  
 Overall Height: 6.583'  
 Slack: 1.36"

**Structure Notes:**

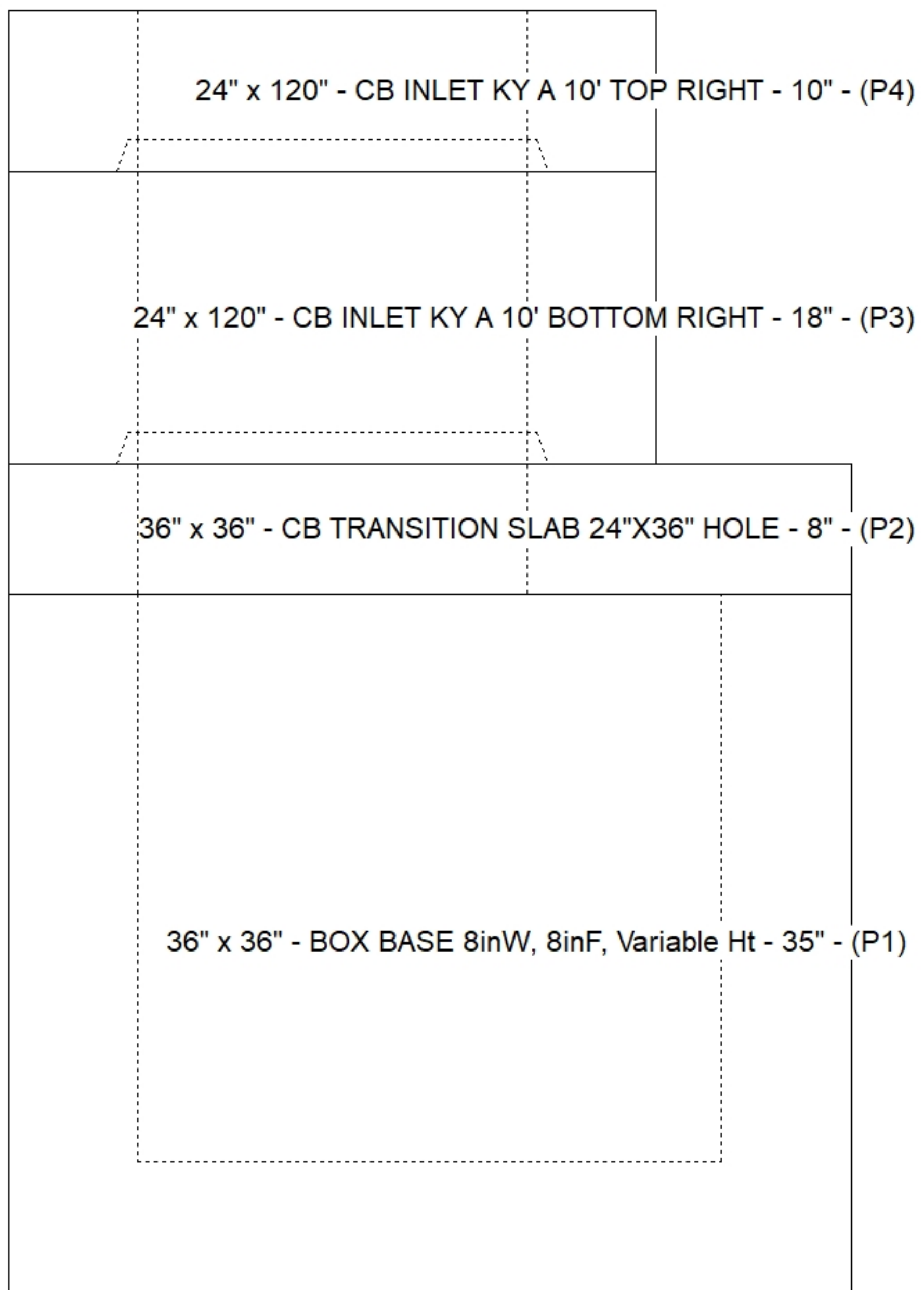
- KYTC STATE PROJECT 241302.
- MANUFACTURED TO KYTC & ASTM C-913 SPECIFICATIONS.
- #5 BAR @ 12" C/C E.W. (TYP.)
- CS-102-1" BUTYL MASTIC (SUPPLIED BY ICAST).
- "RIM" ELEVATION SHOWN IS TOP OF CURB/TOP PHASE.

**STRUCTURE SUMMARY:**

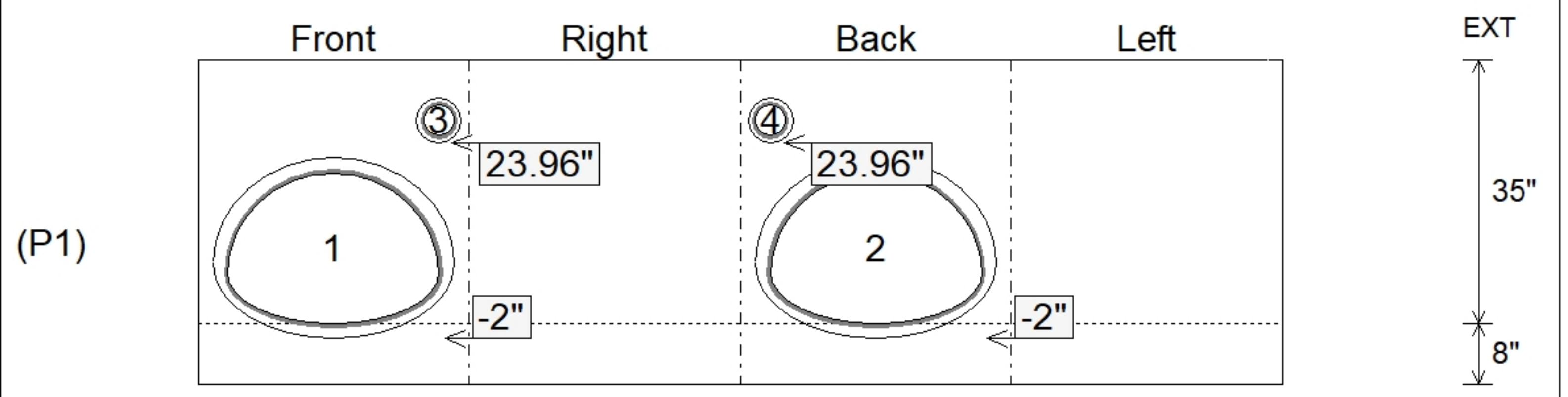
P4) 24" x 120" - CB INLET KY A 10' TOP RIGHT - 10"	3398 lb
P3) 24" x 120" - CB INLET KY A 10' BOTTOM RIGHT - 18"	5270 lb
P2) 36" x 36" - CB TRANSITION SLAB 24"X36" HOLE - 8"	1235 lb
P1) 36" x 36" - BOX BASE 8inW, 8inF, Variable Ht - 35"	5103 lb
1) 36" x 36" - SGL 1"x14.5' Butyl (2x)	0 lb
2) 32" x 24" - Arched Hole (CMP)	0 lb
2) Hole - 6	0 lb
<b>Structure Total:</b>	<b>15006 lb</b>



Position	Elev	Angle	Pipe	Pipe OD	Hole	Connector	Up (")	Ref
Rim	571.22'							
Reducer	568.107'							
Invert 1	565.19'	0°	28" x 20" CMP ARCH	29" x 21"	32" x 24"	32" x 24" Arched Hole (CMP)	-2"	P1
Invert 2	565.19'	180°	28" x 20" CMP ARCH	29" x 21"	32" x 24"	32" x 24" Arched Hole (CMP)	-2"	P1
Invert 3	567.27'	0°	4" HDPE	4.8"	6"	Hole 6	23.96"	P1
Invert 4	567.27'	180°	4" HDPE	4.8"	6"	Hole 6	23.96"	P1
Invert 5								
Invert 6								
Invert 7								
Invert 8								



**Default - Interior Dimensions**



Submittal Drawing  
 11/14/2025 2:37:18 PM

SUBMITTAL  
 APPROVED BY: