


Job Name: 24-1634D KYTC Christian Co. ID 241302 Thompsonville Ln.	Plant: Beaver Dam	Tech: N. Richards	
Job Location: Oak Grove, Ky. Contractor: Mick-Murf Construction Inc.	4/23/2025 3:24:14 PM	PC: C. Goff	

Structure ID: CBI-110 184+50 LT

P1 BX3636-08BAVF

BOX BASE 8inW, 8inF, Variable Ht F/n

P4) 24" x 120" - CB INLET KY A 10' TOP RIGHT F/G - 10"	3398 lb
P3) 24" x 120" - CB INLET KY A 10' BOTTOM RIGHT T/G - 18"	5270 lb
P2) 36" x 36" - CB TRANSITION SLAB 24"X36" HOLE T/F - 8"	1235 lb
P1) 36" x 36" - BOX BASE 8inW, 8inF, Variable Ht F/n - 35"	5103 lb
1) 36" x 36" - SGL 1"x14.5' Butyl (2x)	0 lb
2) 32" x 24" - Arched Hole (CMP)	0 lb
2) Hole - 6	0 lb
Structure Total:	15006 lb

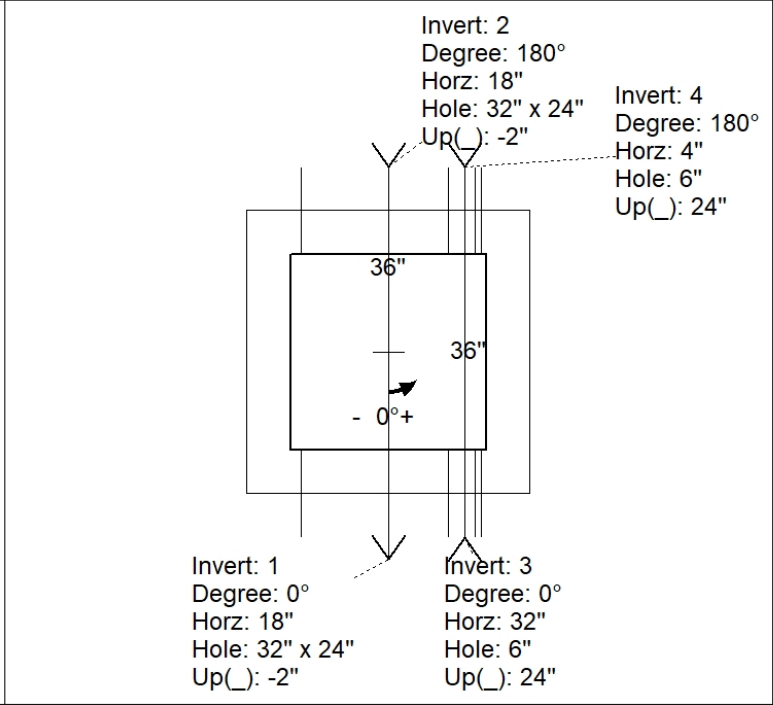
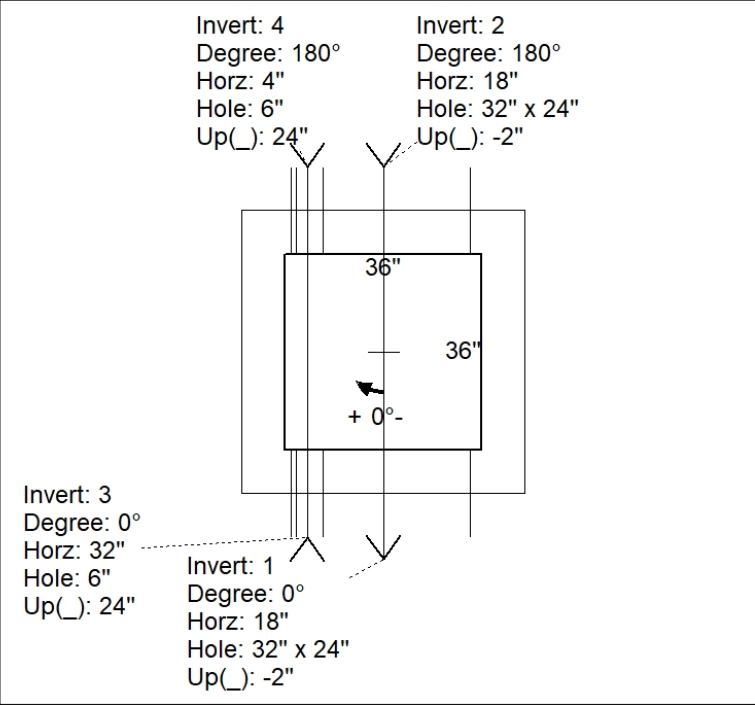
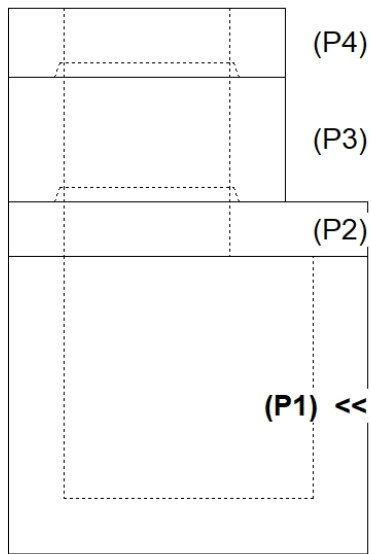
Structure Notes:
 -KYTC STATE PROJECT 241302.
 -MANUFACTURED TO KYTC & ASTM C-913 SPECIFICATIONS.
 -#5 BAR @ 12" C/C E.W. (TYP.)
 -CS-102-1" BUTYL MASTIC (SUPPLIED BY ICAST).
 -"RIM" ELEVATION SHOWN IS TOP OF CURB/TOP PHASE.

Rim: 571.22' Rim to Invert: 6.03' Slack: 1.36" Sump: 0" Step Position:

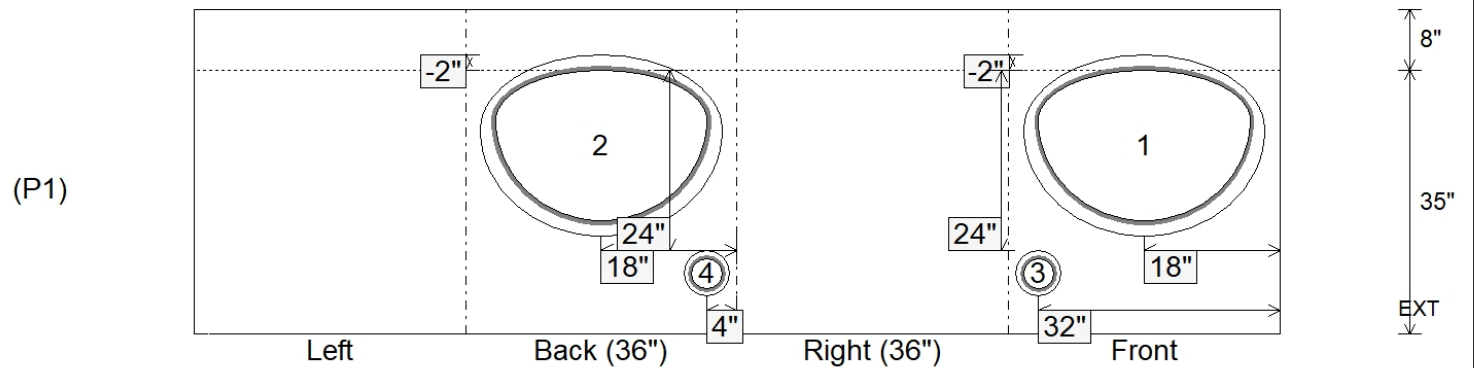
Position	Elev	Angle	Ext. (cw)	Pipe	Pipe OD	Connector	Hole	Horz Size	Up ()	Offset
Invert 1	565.19'	0°	26"	28" x 20" CMP ARCH	29" x 21"	32" x 24" Arched Hole (CMP)	32" x 24"	32"	-2"	0"
Invert 2	565.19'	180°	26"	28" x 20" CMP ARCH	29" x 21"	32" x 24" Arched Hole (CMP)	32" x 24"	32"	-2"	0"
Invert 3	567.27'	0°	40"	4" HDPE	4.8"	Hole 6	6"	6"	24"	14"
Invert 4	567.27'	180°	12"	4" HDPE	4.8"	Hole 6	6"	6"	24"	-14"
Invert 5										
Invert 6										
Invert 7										
Invert 8										

RIGHT-SIDE UP VIEW (int. dimensions)

UPSIDE-DOWN VIEW (int. dimensions)



INSIDE WALL DIMENSIONS



Coating (Int): Coating (Ext):	Seam Up: Flat Seam Dn: n/a	Wall Thickness: 8" Floor Height: 8"	Height (Int): 35" Height (Ext): 43"	Weight (Net): 5103 lb Volume (Net): 1.3cu.yd
----------------------------------	-------------------------------	--	--	---