

**Structure ID: CBI-107 183+70 LT**

**P1 BX3636-08BA42**

**BOX BASE 8inW, 8inF F/n**

P4) 24" x 120" - CB INLET KY A 10' TOP RIGHT F/G - 10" P3) 24" x 120" - CB INLET KY A 10' BOTTOM RIGHT T/G - 18" P2) 36" x 36" - CB TRANSITION SLAB 24"X36" HOLE T/F - 8" P1) 36" x 36" - BOX BASE 8inW, 8inF F/n - 42" 1) 36" x 36" - SGL 1"x14.5' Butyl (2X) 2) Hole - 28 1) 32" x 24" - Arched Hole (CMP) 2) Hole - 6	3398 lb 5270 lb 1235 lb 5508 lb 0 lb 0 lb 0 lb 0 lb 0 lb <hr style="width: 50%; margin-left: auto; margin-right: 0;"/> Structure Total: 15411 lb
---	---

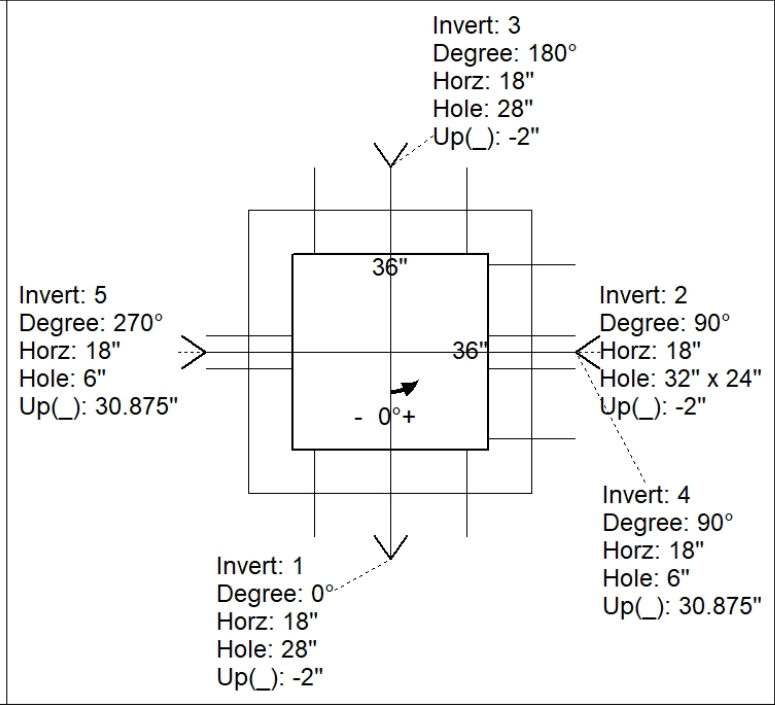
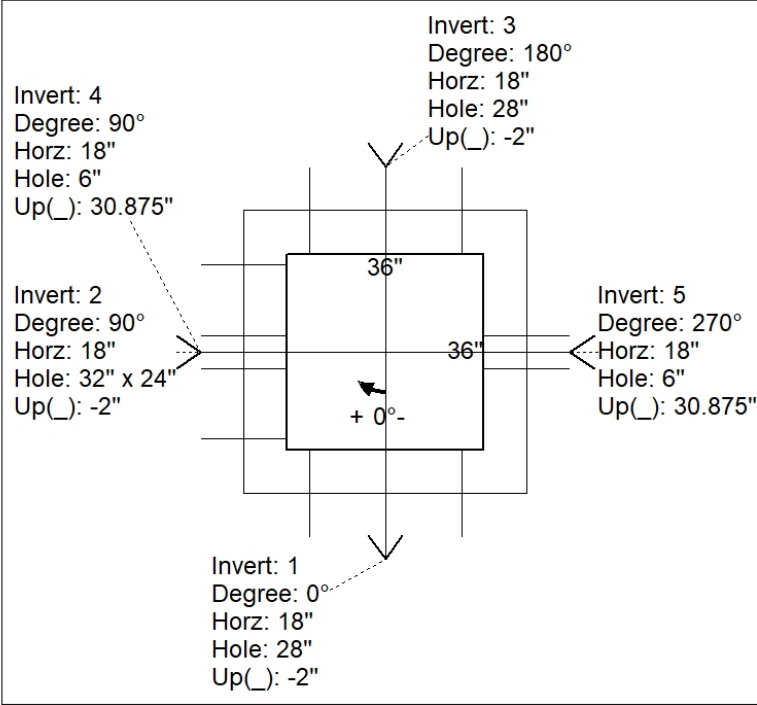
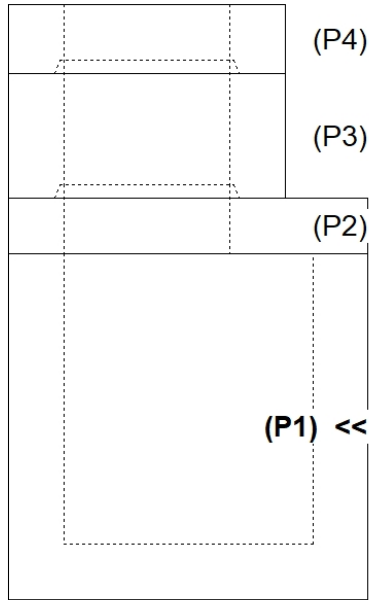
**Structure Notes:**  
 -KYTC STATE PROJECT 241302.  
 -MANUFACTURED TO KYTC & ASTM C-913 SPECIFICATIONS.  
 -#5 BAR @ 12" C/C E.W. (TYP.)  
 -CS-102-1" BUTYL MASTIC (SUPPLIED BY ICAST).  
 -"RIM" ELEVATION SHOWN IS TOP OF CURB/TOP PHASE.

Rim: 571.58'    Rim to Invert: 6.63'    Slack: 1.56"    Sump: 0"    Step Position:

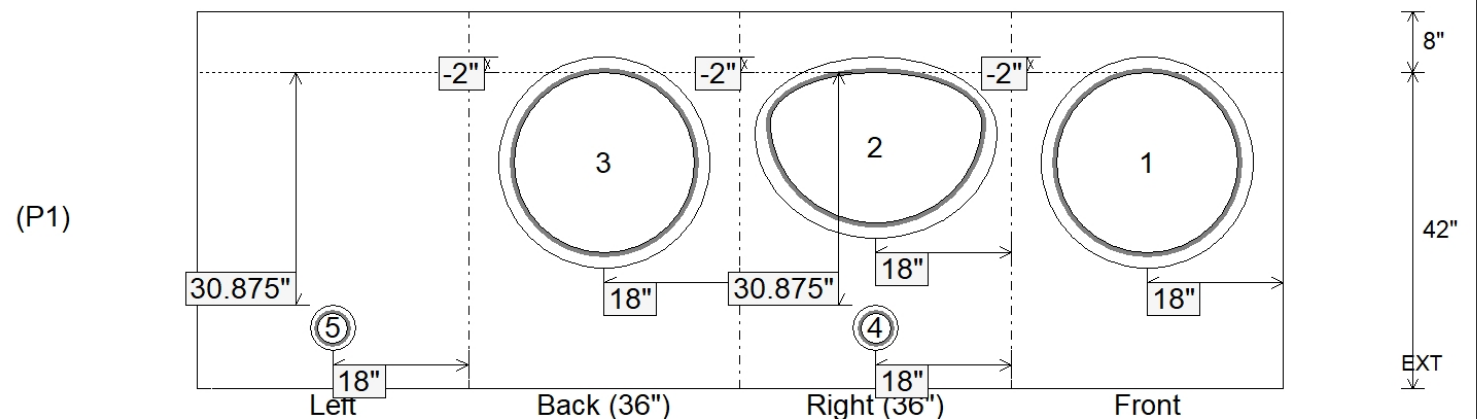
Position	Elev	Angle	Ext. (cw)	Pipe	Pipe OD	Connector	Hole	Horz Size	Up ( )	Offset
Invert 1	564.95'	0°	26"	24" CMP	25"	Hole 28	28"	28"	-2"	0"
Invert 2	564.95'	90°	26"	28" x 20" CMP ARCH	29" x 21"	32" x 24" Arched Hole (CMP)	32" x 24"	32"	-2"	0"
Invert 3	564.95'	180°	26"	24" CMP	25"	Hole 28	28"	28"	-2"	0"
Invert 4	567.61'	90°	26"	4" HDPE	4.8"	Hole 6	6"	6"	30.875"	0"
Invert 5	567.61'	270°	26"	4" HDPE	4.8"	Hole 6	6"	6"	30.875"	0"
Invert 6										
Invert 7										
Invert 8										

**RIGHT-SIDE UP VIEW (int. dimensions)**

**UPSIDE-DOWN VIEW (int. dimensions)**



**INSIDE WALL DIMENSIONS**



Coating (Int): Coating (Ext):	Seam Up: Flat Seam Dn: n/a	Wall Thickness: 8" Floor Height: 8"	Height (Int): 42" Height (Ext): 50"	Weight (Net): 5508 lb Volume (Net): 1.41cu.yd
----------------------------------	-------------------------------	--	--	--