

**Job Name: 24-1634D KYTC Christian Co. ID 241302 Thompsonville Ln**  
**Job Location: Oak Grove, KY**  
**Contractor: Mick-Murf Construction Inc.**

PC: C. Goff  
 TECH: N. Richards  
 Plant: Beaver Dam



Structure ID: **CBI-103 177+75 LT**  
 Spec: KYTC  
 Type: CBI TYPE A (10')  
 Size: 24" x 36"

Rim: 569.33'  
 Invert: 564.58'  
 Rim to Invert: 4.75'

Sump: 0"  
 Floor (Top): 564.58'  
 Floor Height: 8"

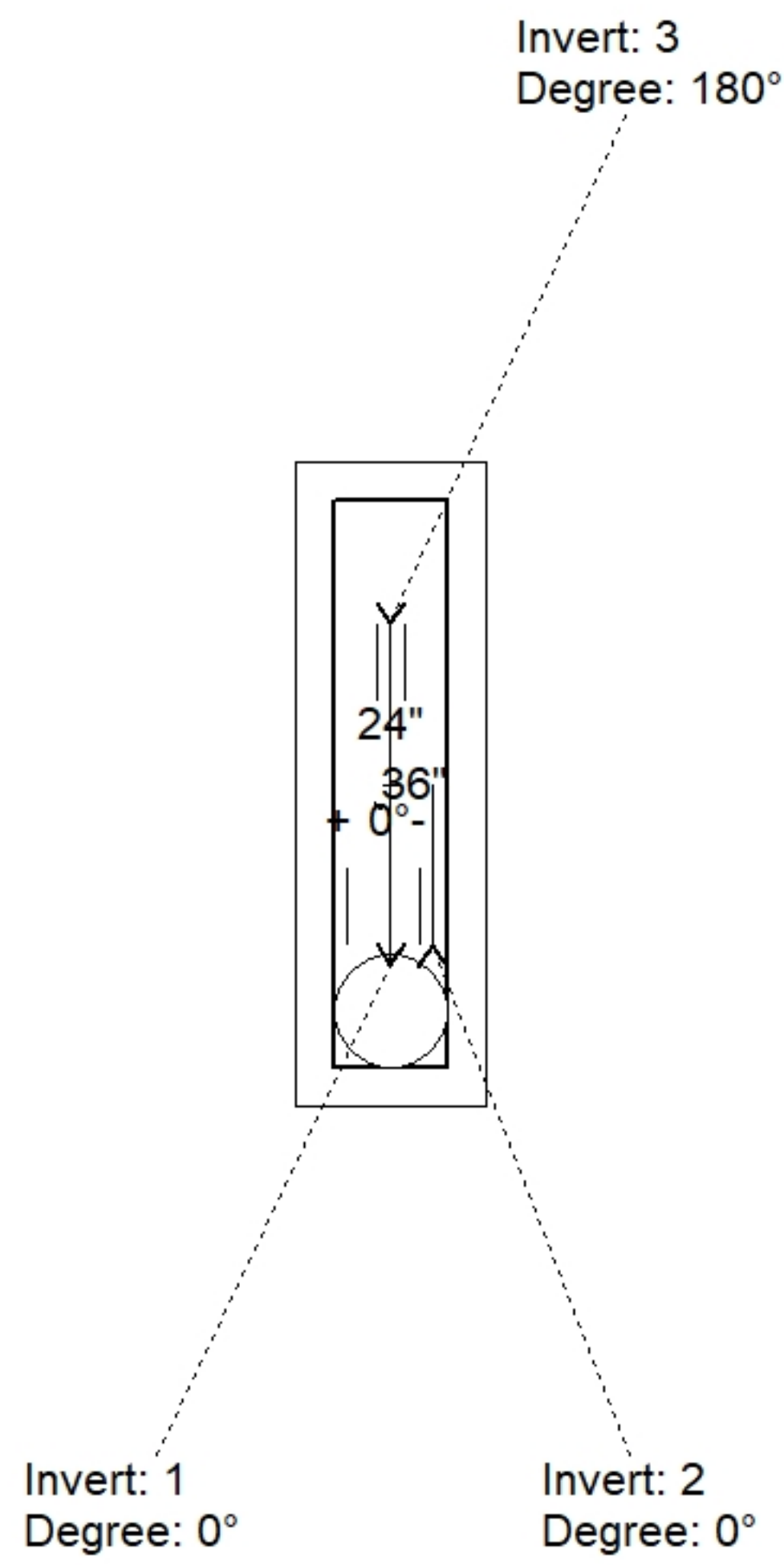
Floor (Bot): 563.913'  
 Overall Height: 5.333'  
 Slack: 1"

**Structure Notes:**

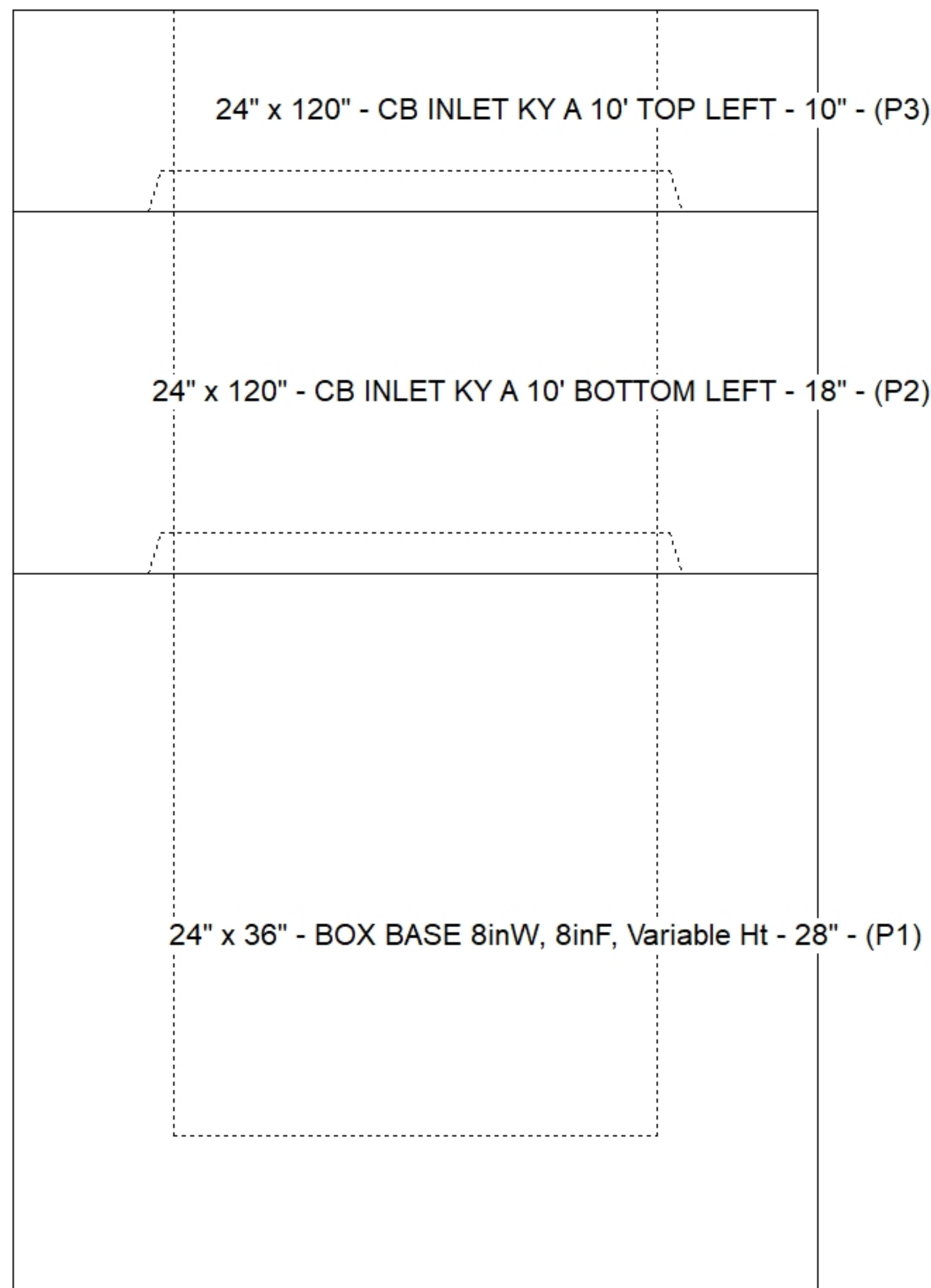
- KYTC STATE PROJECT 241302.
- MANUFACTURED TO KYTC & ASTM C-913 SPECIFICATIONS.
- #5 BAR @ 12" C/C E.W. (TYP.)
- CS-102-1" BUTYL MASTIC (SUPPLIED BY ICAST).
- "RIM" ELEVATION SHOWN IS TOP OF CURB/TOP PHASE.

**STRUCTURE SUMMARY:**

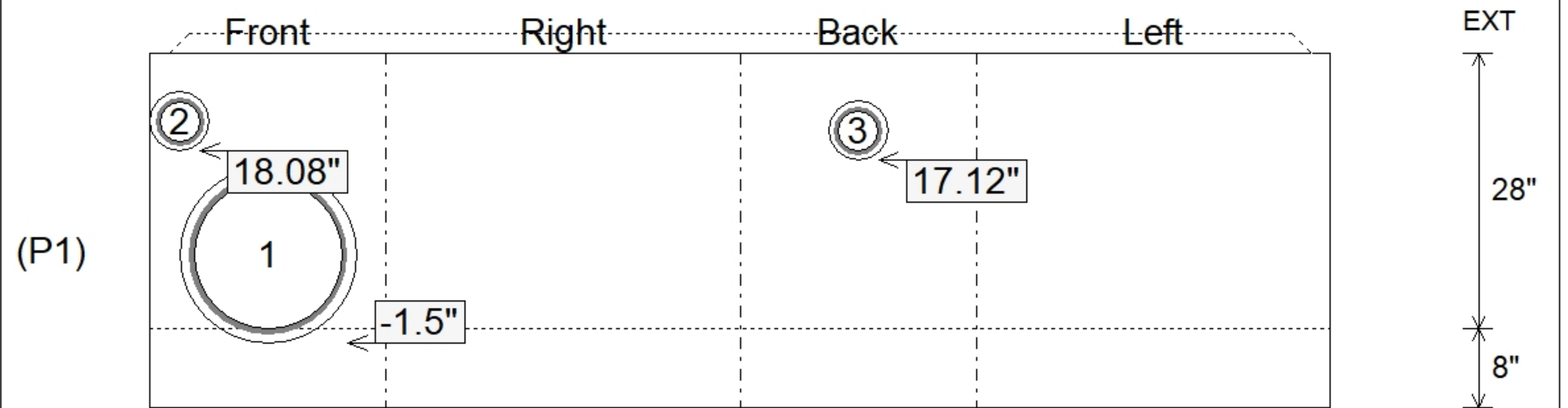
P3) 24" x 120" - CB INLET KY A 10' TOP LEFT - 10"	3400 lb
P2) 24" x 120" - CB INLET KY A 10' BOTTOM LEFT - 18"	5270 lb
P1) 24" x 36" - BOX BASE 8inW, 8inF, Variable Ht - 28"	4078 lb
1) 24" x 36" - SGL 1"x14.5' Butyl	0 lb
1) Hole - 18	0 lb
2) Hole - 6	0 lb
<b>Structure Total:</b>	<b>12747 lb</b>



Position	Elev	Angle	Pipe	Pipe OD	Hole	Connector	Up (")	Ref
Rim	569.33'							
Reducer								
Invert 1	564.58'	0°	15" CMP	16"	18"	Hole 18	-1.5"	P1
Invert 2	566.17'	0°	4" HDPE	4.8"	6"	Hole 6	18.08"	P1
Invert 3	566.09'	180°	4" HDPE	4.8"	6"	Hole 6	17.12"	P1
Invert 4								
Invert 5								
Invert 6								
Invert 7								
Invert 8								



**Default - Interior Dimensions**



Submittal Drawing  
 11/14/2025 2:37:15 PM

SUBMITTAL  
 APPROVED BY: