

Job Name: 24-1632B KYTC Breathitt Co. Call 100-241306

Job Location: Breathitt Co., Ky.

Contractor: Triton Construction, Inc.

PC: C. Goff

TECH: N. Richards

Plant: Beaver Dam



Structure ID: 568+84 RT CBI-A, 11-6

Spec: KYTC

Type: CBI TYPE A (10')

Size: 24" x 36"

Rim: 738.17'

Invert: 731.95'

Rim to Invert: 6.22'

Sump: 0'

Floor (Top): 731.95'

Floor Height: 0.667'

Floor (Bot): 731.283'

Overall Height: 6.5'

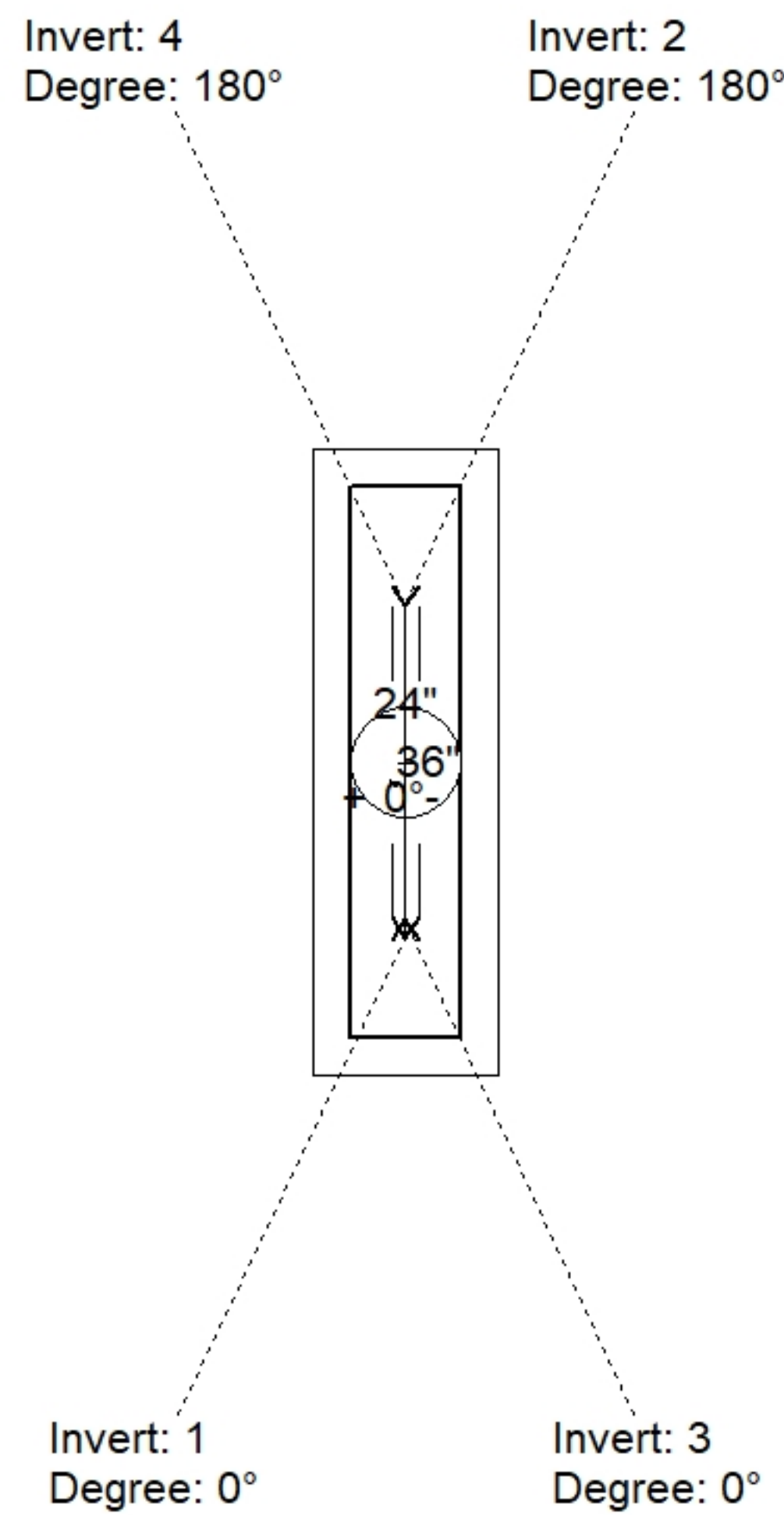
Slack: 0.387'

Structure Notes:

- KYTC STATE PROJECT 241306
- MANUFACTURED PER KYTC SPECIFICATIONS.
- REINFORCING: #5 BAR @ 12" C/C E.W.
- KYTC CERTIFICATIONS REQUIRED.

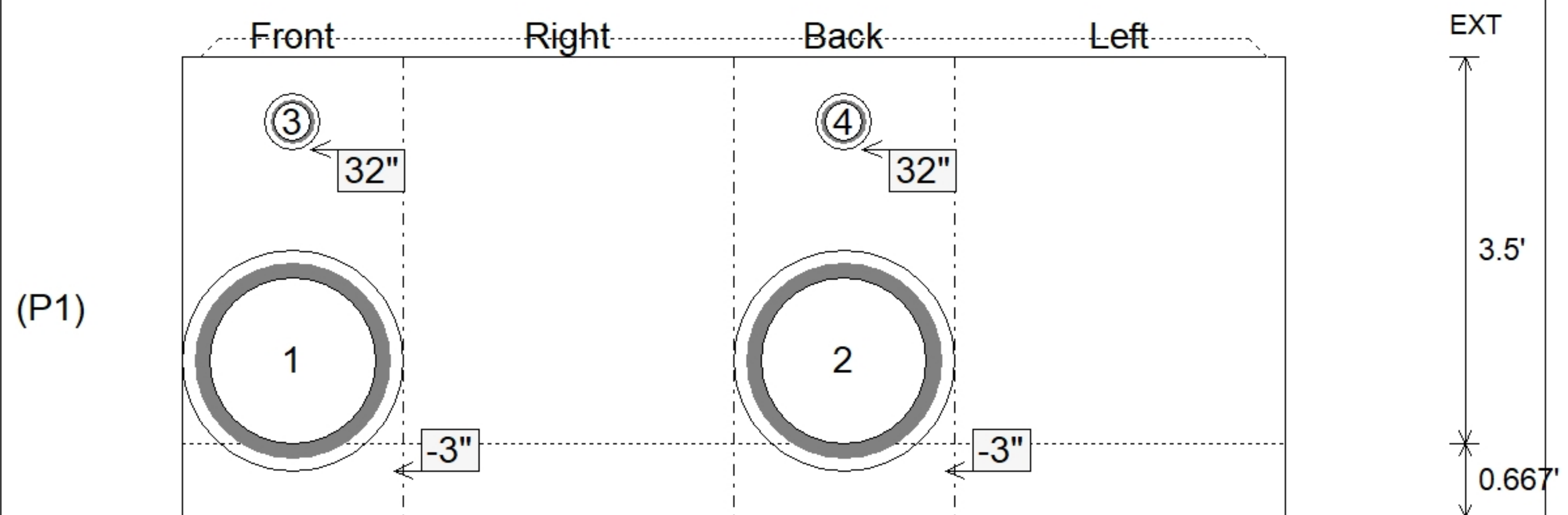
STRUCTURE SUMMARY:

P3) 24" x 120" - CBITA10-TS - CB INLET KY A 10' TOP SAG - 0.833'	3398 lb
P2) 24" x 120" - CBITA10-BS - CB INLET KY A 10' BOTTOM SAG - 1.5'	5270 lb
P1) 24" x 36" - BX2436-08BA42 - BOX BASE 8inW, 8inF - 3.5'	5188 lb
1) 24" x 36" - SGL 1"x14.5' Butyl - 0'	0 lb
2) Hole - 0'	0 lb
2) Hole - 0'	0 lb
Structure Total:	13856 lb



Position	Elev	Angle	Pipe	Pipe OD	Hole	Connector	Up ()	Ref
Rim	738.17'							
Reducer								
Invert 1	731.95'	0°	18" HDPE	21.2"	24"	Hole 24	-3"	P1
Invert 2	731.95'	180°	18" HDPE	21.2"	24"	Hole 24	-3"	P1
Invert 3	734.7'	0°	4" HDPE	4.8"	6"	Hole 6	32"	P1
Invert 4	734.7'	180°	4" HDPE	4.8"	6"	Hole 6	32"	P1
Invert 5								
Invert 6								
Invert 7								
Invert 8								

Default - Interior Dimensions



24" x 120" - CBITA10-TS - CB INLET KY A 10' TOP SAG - 0.833' - (P3)

24" x 120" - CBITA10-BS - CB INLET KY A 10' BOTTOM SAG - 1.5' - (P2)

24" x 36" - BX2436-08BA42 - BOX BASE 8inW, 8inF - 3.5' - (P1)

Submittal Drawing
2/12/2026 6:17:51 AM

SUBMITTAL
APPROVED BY: