

Structure ID: 568+84 RT CBI-A, 11-6

P1 BX2436-08BA42 BOX BASE 8inW, 8inF

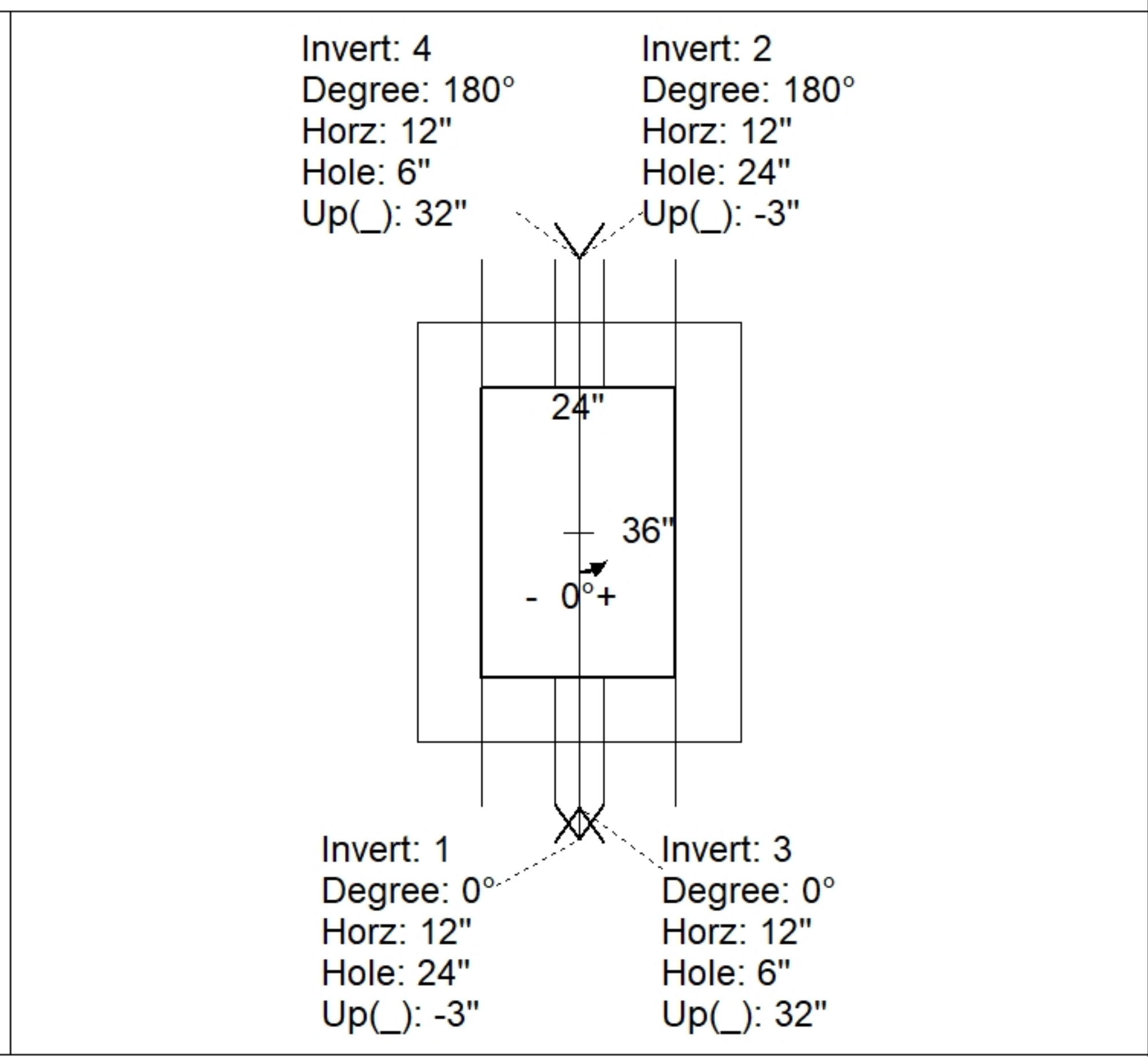
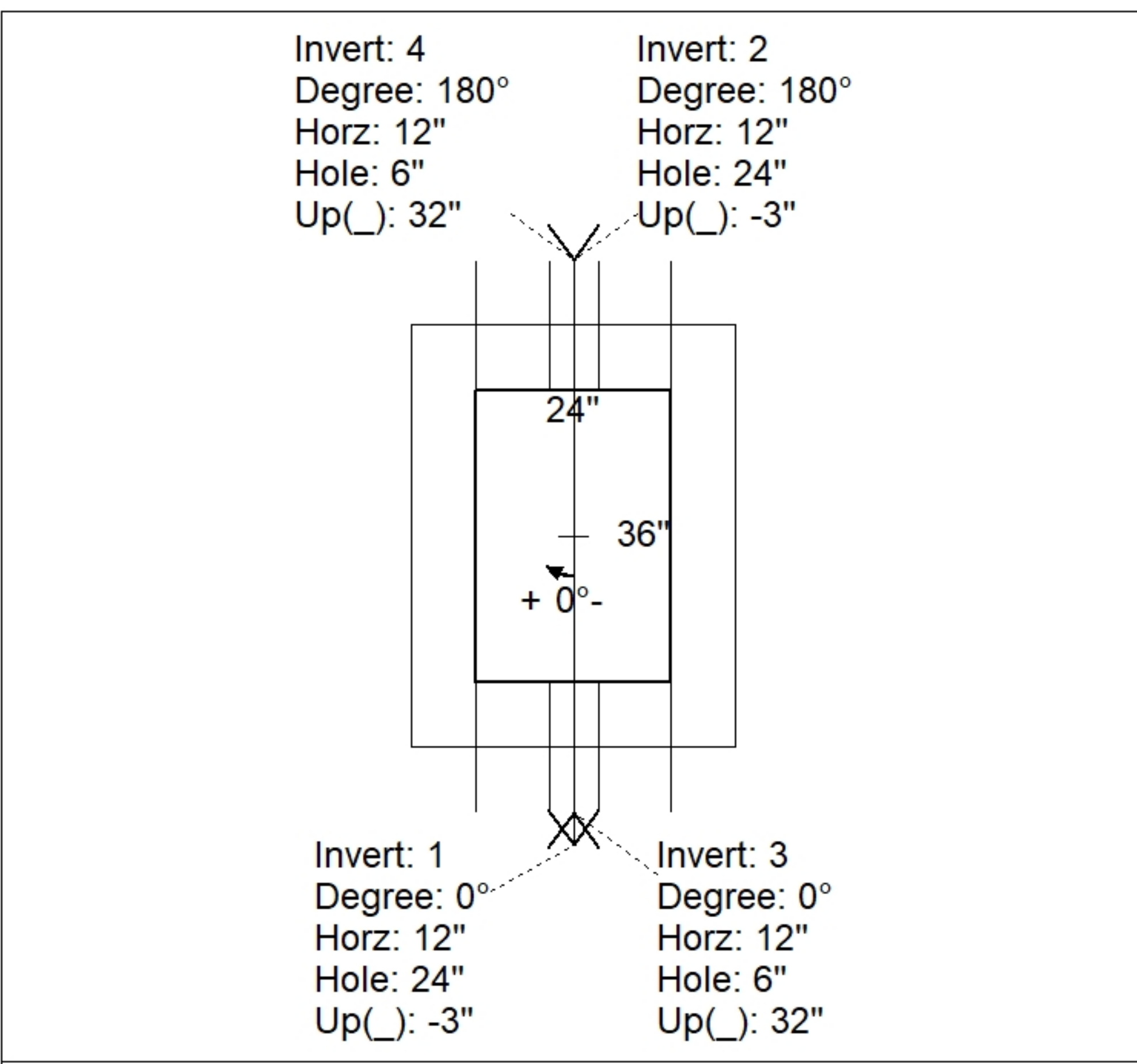
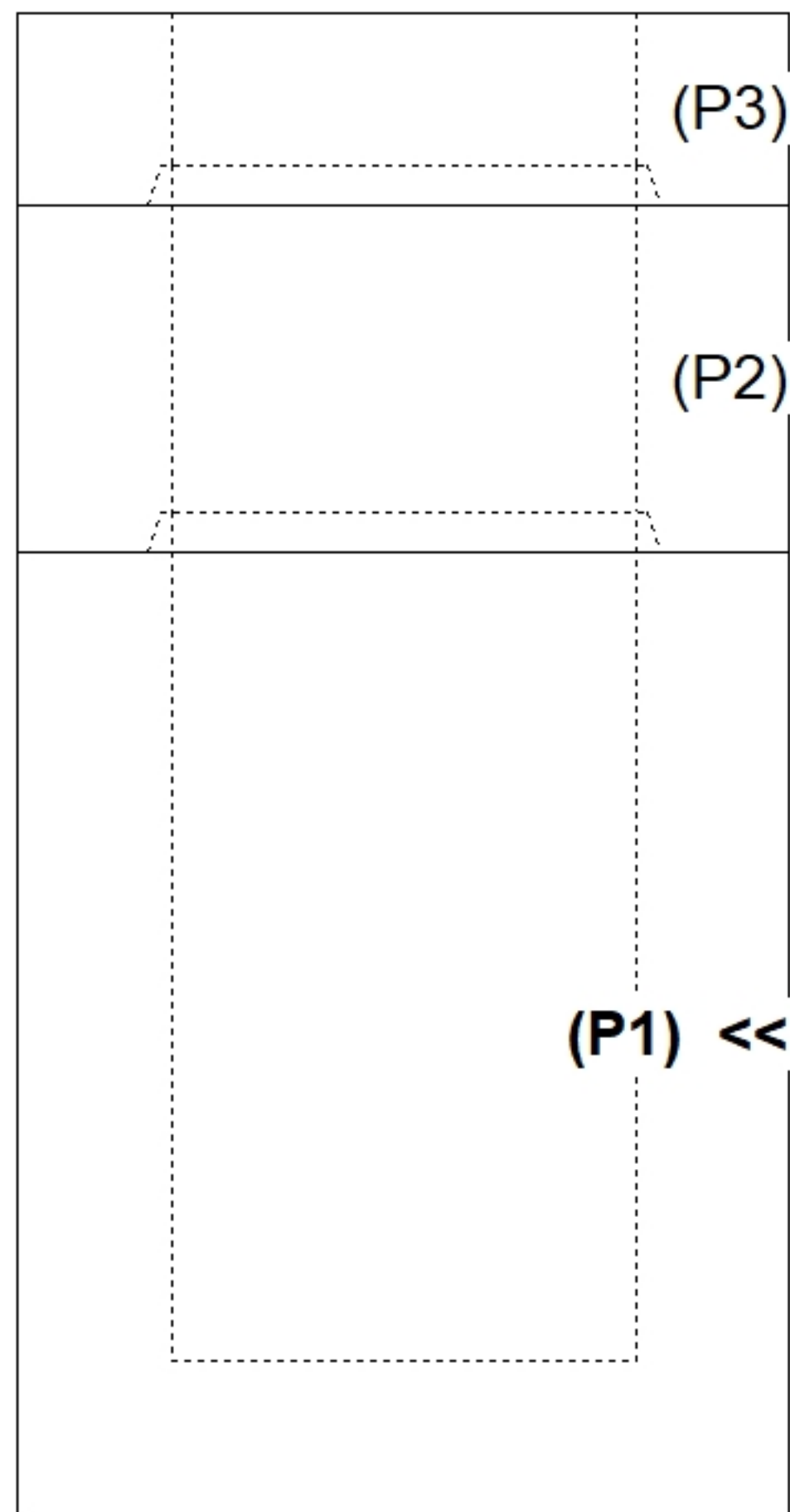
P3) 24" x 120" - CBITA10-TS - CB INLET KY A 10' TOP SAG - 0.833' P2) 24" x 120" - CBITA10-BS - CB INLET KY A 10' BOTTOM SAG - 1.5' P1) 24" x 36" - BX2436-08BA42 - BOX BASE 8inW, 8inF - 3.5' 1) 24" x 36" - SGL 1"x14.5' Butyl - 0' 2) Hole - 0' 2) Hole - 0'	3398 lb 5270 lb 5188 lb 0 lb 0 lb 0 lb ----- Structure Total: 13856 lb	Structure Notes: -KYTC STATE PROJECT 241306 -MANUFACTURED PER KYTC SPECIFICATIONS. -REINFORCING: #5 BAR @ 12" C/C E.W. -KYTC CERTIFICATIONS REQUIRED.
---	---	--

Rim: 738.17' Rim to Invert: 6.22' Slack: 0.387' Sump: 0' Step Position:

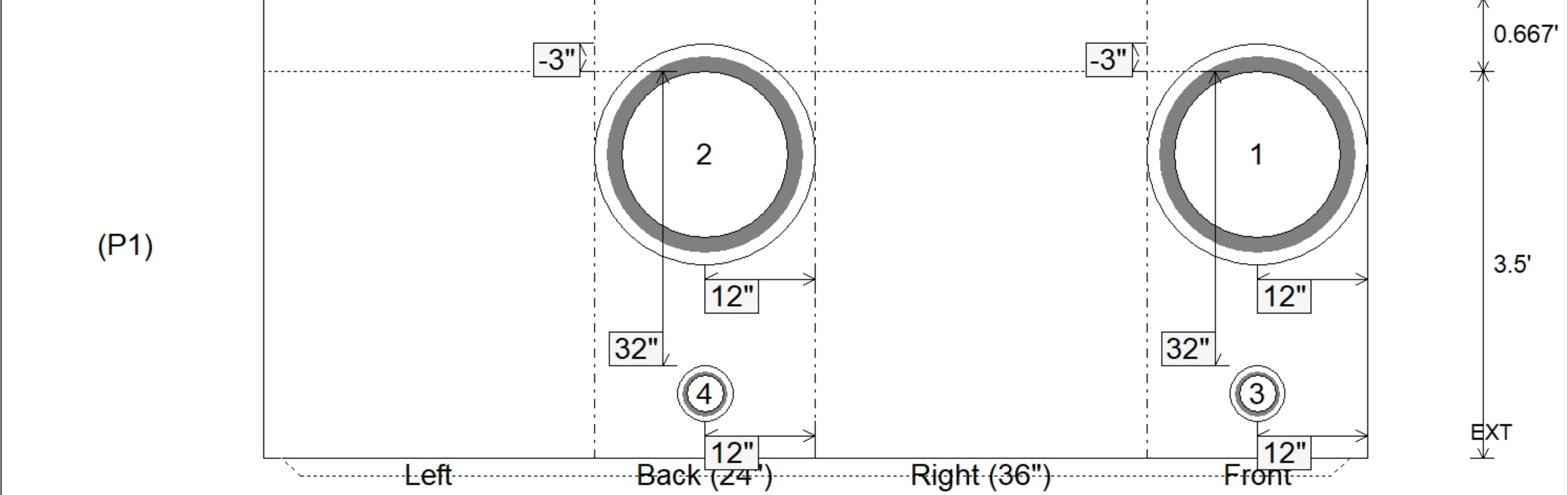
Position	Elev	Angle	Ext. (cw)	Pipe	Pipe OD	Connector	Hole	Horz Size	Up ()	Offset
Invert 1	731.95'	0°	20"	18" HDPE	21.2"	Hole 24	24"	24"	-3"	0"
Invert 2	731.95'	180°	20"	18" HDPE	21.2"	Hole 24	24"	24"	-3"	0"
Invert 3	734.7'	0°	20"	4" HDPE	4.8"	Hole 6	6"	6"	32"	0"
Invert 4	734.7'	180°	20"	4" HDPE	4.8"	Hole 6	6"	6"	32"	0"
Invert 5										
Invert 6										
Invert 7										
Invert 8										

RIGHT-SIDE UP VIEW (int. dimensions)

UPSIDE-DOWN VIEW (int. dimensions)



INSIDE WALL DIMENSIONS



Coating (Int): Coating (Ext):	Seam Up: Tongue Seam Dn: n/a	Wall Thickness: 8" Floor Height: 0.667'	Height (Int): 3.5' Height (Ext): 4.167'	Weight (Net): 5188 lb Volume (Net): 1.32cu.yd
----------------------------------	---------------------------------	--	--	--