

Structure ID: 568+35 RT CBI-A, 21-2

P1 BX036036-08B42 BOX BASE 8inW, 8inF

P4) 24" x 120" - CBITA10-TL - CB INLET KY A 10' TOP LEFT - 0.833' P3) 24" x 120" - CBITA10-BL - CB INLET KY A 10' BOTTOM LEFT - 1.5' P2) 36" x 36" - BX3636_08TS8 - CB TRANSITION SLAB 24"X36" HOLE - 0.667' P1) 36" x 36" - BX036036-08B42 - BOX BASE 8inW, 8inF - 3.5' 1) Hole - 0' 1) Hole - 0' 2) Hole - 0'	3400 lb 5270 lb 1235 lb 5877 lb 0 lb 0 lb 0 lb <hr style="width: 50px; margin-left: auto; margin-right: 0;"/> Structure Total: 15782 lb
---	--

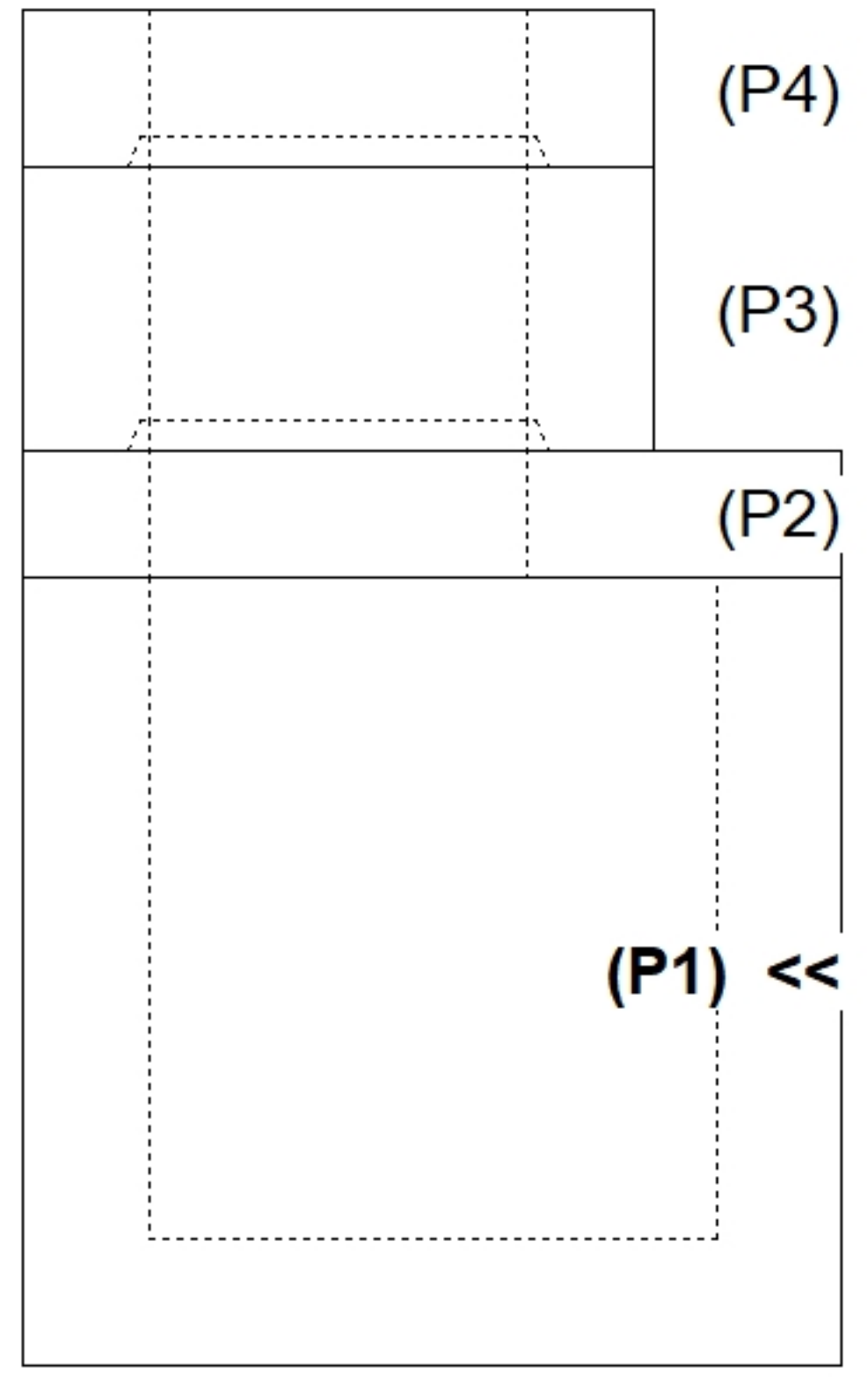
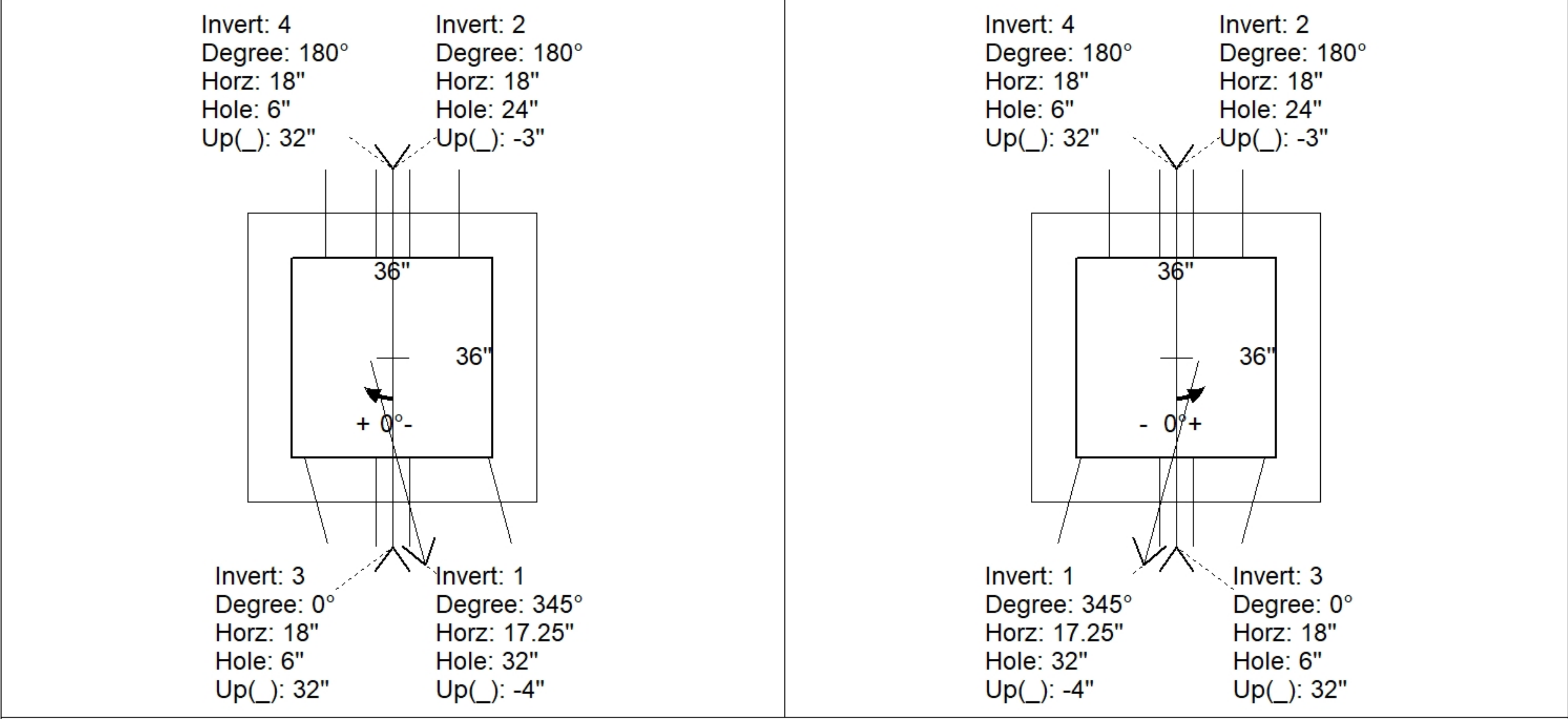
Structure Notes:
 -KYTC STATE PROJECT 241306
 -MANUFACTURED PER KYTC SPECIFICATIONS.
 -REINFORCING: #5 BAR @ 12" C/C E.W.
 -KYTC CERTIFICATIONS REQUIRED.

Rim: 738.3' Rim to Invert: 6.7' Slack: 0.2' Sump: 0' Step Position:

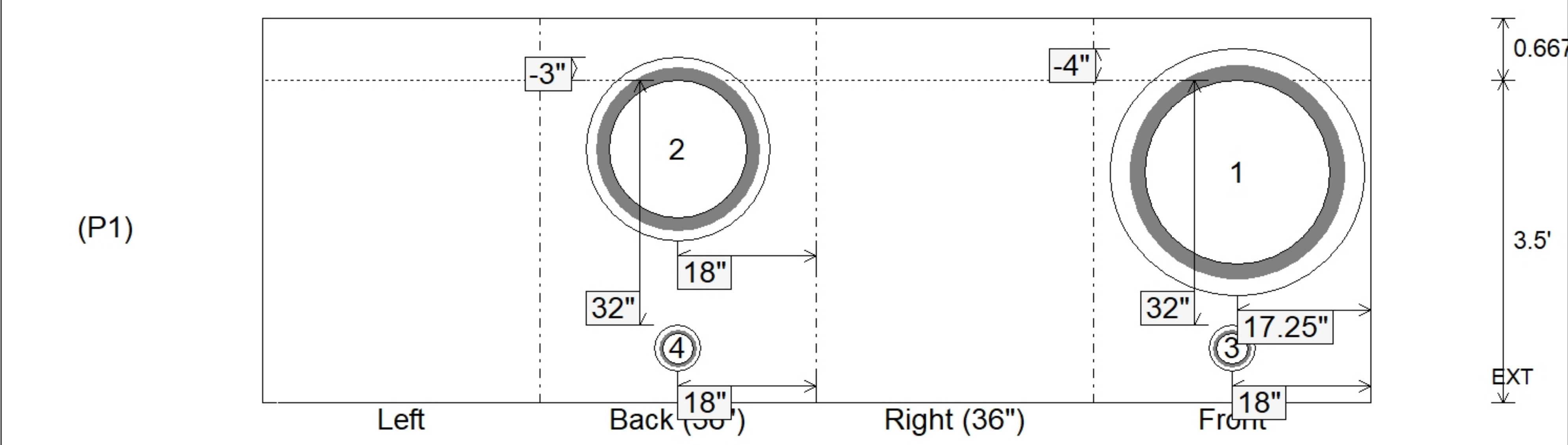
Position	Elev	Angle	Ext. (cw)	Pipe	Pipe OD	Connector	Hole	Horz Size	Up ()	Offset
Invert 1	731.6'	345°	23.25"	24" HDPE	27.8"	Hole 32	32"	33.129"	-4"	4"
Invert 2	731.6'	180°	26"	18" HDPE	21.2"	Hole 24	24"	24"	-3"	0"
Invert 3	734.34'	0°	26"	4" HDPE	4.8"	Hole 6	6"	6"	32"	0"
Invert 4	734.34'	180°	26"	4" HDPE	4.8"	Hole 6	6"	6"	32"	0"
Invert 5										
Invert 6										
Invert 7										
Invert 8										

RIGHT-SIDE UP VIEW (int. dimensions)

UPSIDE-DOWN VIEW (int. dimensions)



INSIDE WALL DIMENSIONS



Coating (Int): Coating (Ext):	Seam Up: Flat Seam Dn: n/a	Wall Thickness: 8" Floor Height: 0.667'	Height (Int): 3.5' Height (Ext): 4.167'	Weight (Net): 5877 lb Volume (Net): 1.5cu.yd
----------------------------------	-------------------------------	--	--	---