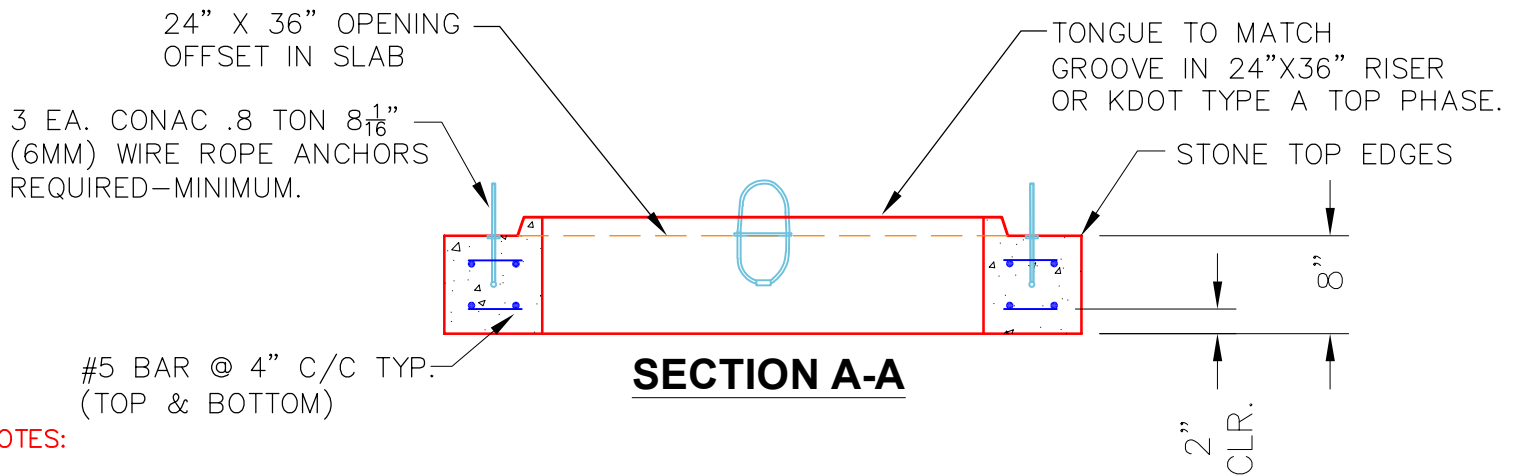


**PLAN VIEW**



**SECTION A-A**

**NOTES:**

- CONCRETE: 4500 PSI @ 28 DAYS.
- REINFORCING: #5 BAR @ 4" & 6" C/C-GRADE 60.  
(TOP & BOTTOM LAYERS).
- KDOT CERTIFICATIONS REQUIRED.
- 3 EA. CONAC WIRE LOOP LIFTERS REQUIRED.

**#5 BAR CUT LIST**  
 20 EA. @ 48" LG.  
 12 EA. @ 16" LG.

<p>PRODUCTION WORK ORDER</p>		<p>PRODUCT I.D.: BX036036-08TS024036</p>	<p>DESCRIPTION: CURB INLET TRANSITION SLAB 36" X 36" X 8"</p>	
	<p>QUALITY CONTROL CHECKLIST</p>	<p>PRODUCT VIEW: RIGHT SIDE UP</p>	<p>CUSTOMER: TRITON CONSTRUCTION, INC.</p>	
	<input type="checkbox"/> ALL DIMENSIONS CORRECT.	<p>PLANT: BEAVER DAM, KY.</p>	<p>PROJECT: BREATHITT CO.. 241306</p>	
	<input type="checkbox"/> LIFTERS INSTALLED.	<p>WEIGHT: 1,290 LBS.</p>	<p>STRUCTURE ID.: 566+81 RT CBI-A, 21-2 (SEC. P2)</p>	
	<input type="checkbox"/> OPENING OFFSET.	<p>TOP JOINT: SHIP-LAP</p>	<p>SALES ORDER NO.: 24-1632B</p>	
	<input type="checkbox"/> REINFORCING CORRECT.	<p>BOTTOM JOINT: FLAT</p>	<p>P.C.: C. GOFF</p>	<p>DRAWING: N. RICHARDS</p>
	<input type="checkbox"/> SHIP-LAP TONGUE INSTALLED.	<p>QC CHECK INITIALS:</p>	<p>DATE: 02/10/26</p>	<p>SCALE: NTS</p>
<input type="checkbox"/> EDGES CHAMFERED.			<p>PG. 1 of 1</p>	
<input type="checkbox"/> ANY PATCHWORK ACCEPTABLE.				