

Structure ID: 566+81 RT CBI-A, 21-2

P1 BX036036-08B42 BOX BASE 8inW, 8inF

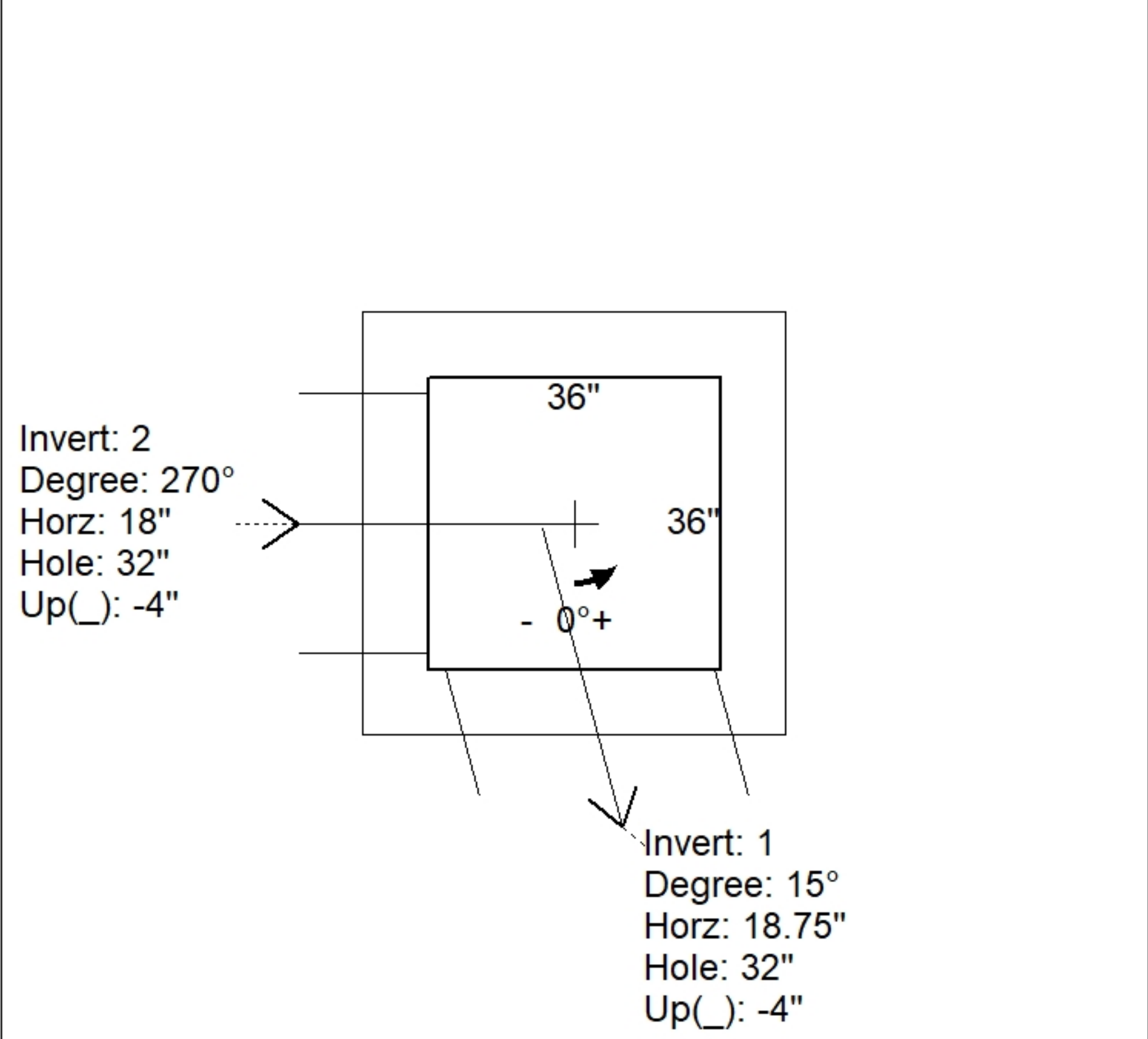
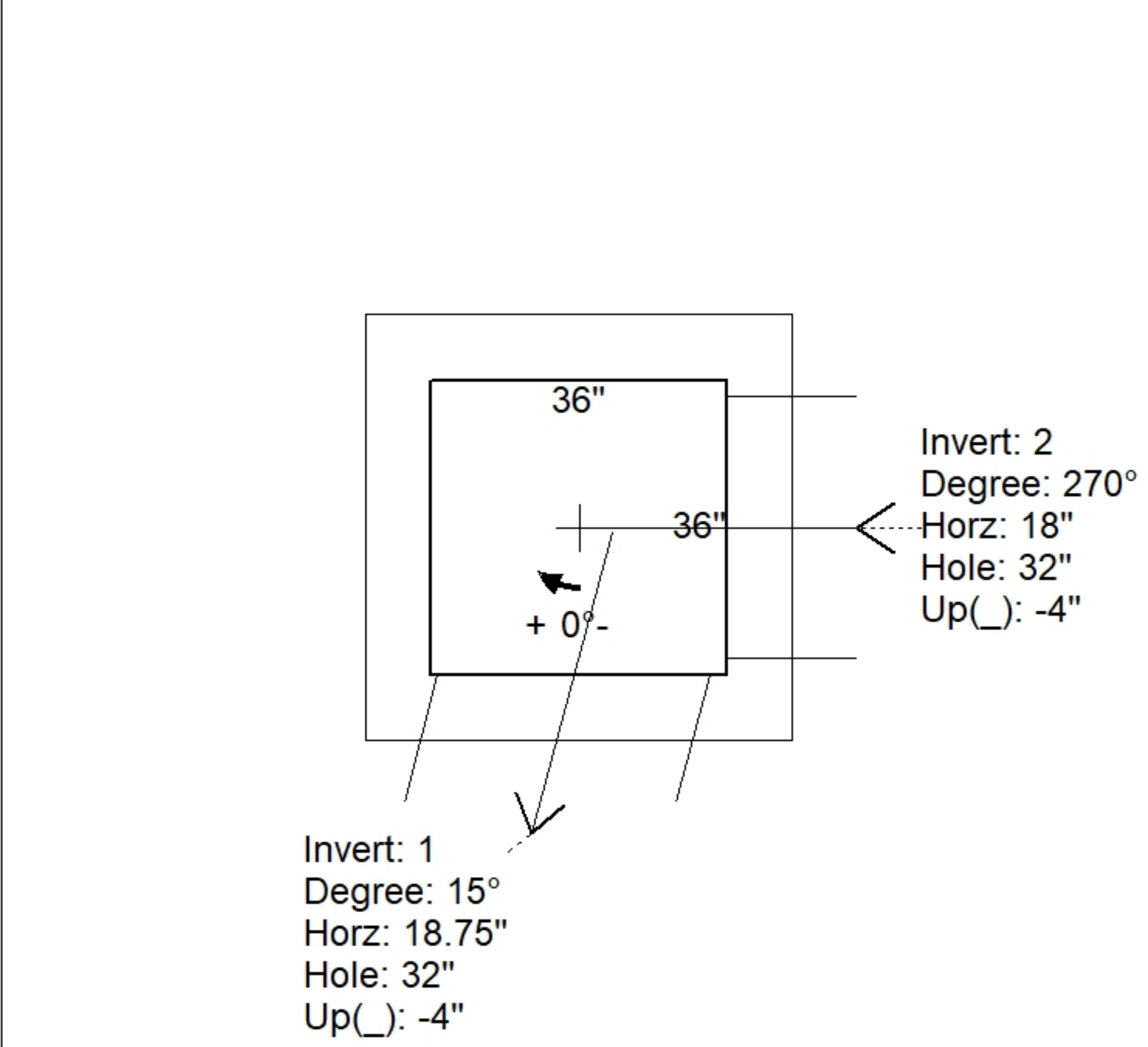
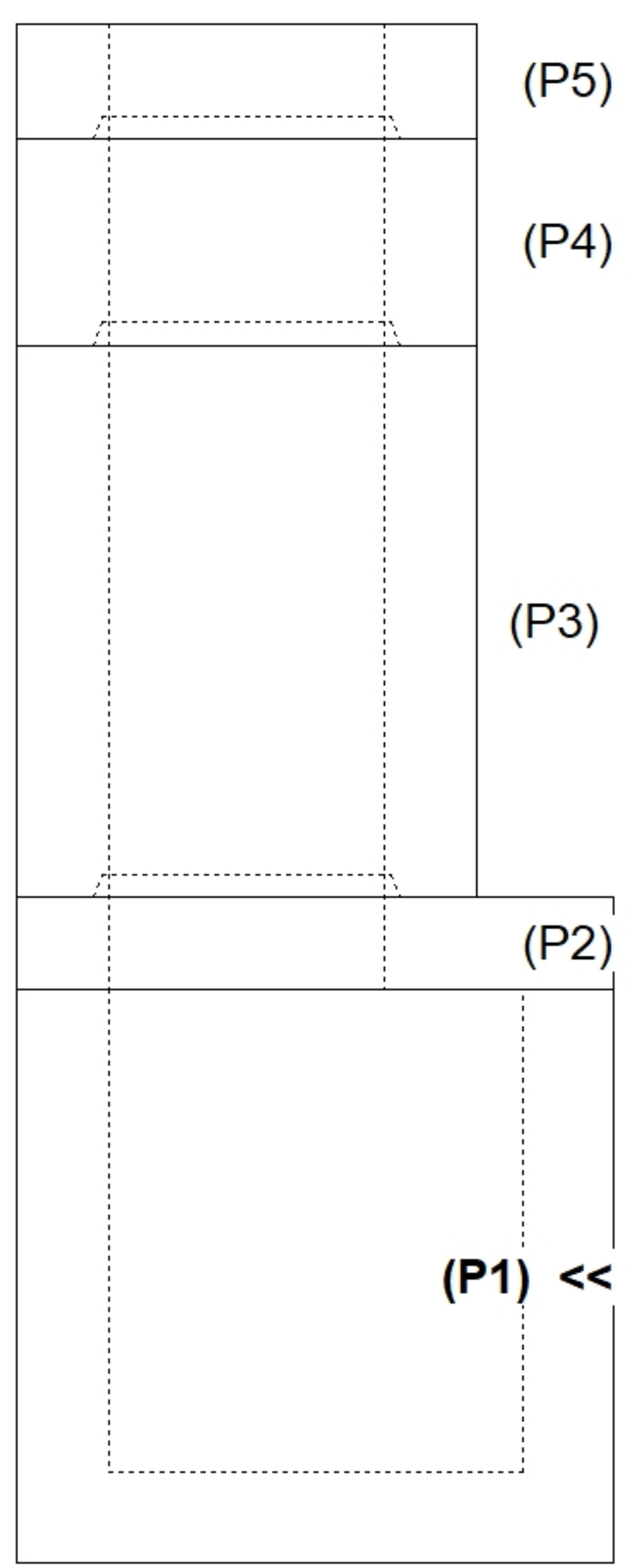
P5) 24" x 120" - CBITA10-TL - CB INLET KY A 10' TOP LEFT - 0.833'	3400 lb
P4) 24" x 120" - CBITA10-BL - CB INLET KY A 10' BOTTOM LEFT - 1.5'	5270 lb
P3) 24" x 36" - BX2436-08R48 - BOX RISER 8inW - 4'	4860 lb
P2) 36" x 36" - BX3636_08TS8 - CB TRANSITION SLAB 24"X36" HOLE - 0.667'	1235 lb
P1) 36" x 36" - BX036036-08B42 - BOX BASE 8inW, 8inF - 3.5'	5679 lb
2) Hole - 0'	0 lb
2) Hole - 0'	0 lb
Structure Total:	20443 lb

Structure Notes:
 -KYTC STATE PROJECT 241306
 -MANUFACTURED PER KYTC SPECIFICATIONS.
 -REINFORCING: #5 BAR @ 12" C/C E.W.
 -KYTC CERTIFICATIONS REQUIRED.

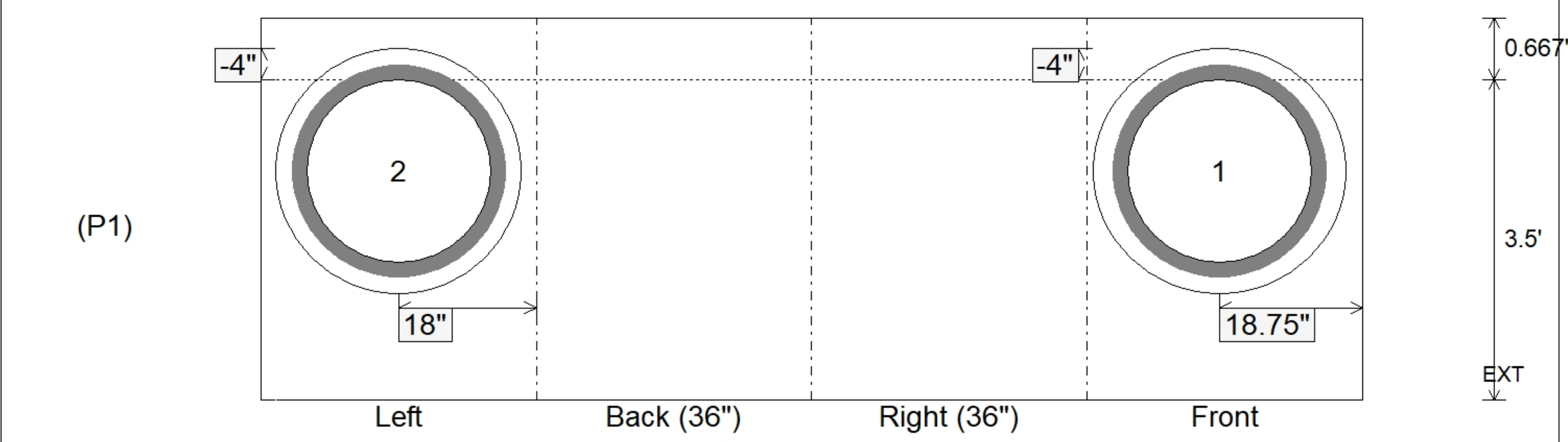
Rim: 740.12' Rim to Invert: 10.92' Slack: 0.42' Sump: 0' Step Position:

Position	Elev	Angle	Ext. (cw)	Pipe	Pipe OD	Connector	Hole	Horz Size	Up ()	Offset
Invert 1	729.2'	15°	28.75"	24" HDPE	27.8"	Hole 32	32"	33.129"	-4"	-4"
Invert 2	729.2'	270°	26"	24" HDPE	27.8"	Hole 32	32"	32"	-4"	0"
Invert 3										
Invert 4										
Invert 5										
Invert 6										
Invert 7										
Invert 8										

RIGHT-SIDE UP VIEW (int. dimensions) UPSIDE-DOWN VIEW (int. dimensions)



INSIDE WALL DIMENSIONS



Coating (Int): Coating (Ext):	Seam Up: Flat Seam Dn: n/a	Wall Thickness: 8" Floor Height: 0.667'	Height (Int): 3.5' Height (Ext): 4.167'	Weight (Net): 5679 lb Volume (Net): 1.45cu.yd
----------------------------------	-------------------------------	--	--	--