

Job Name: 24-1632B KYTC Breathitt Co. Call 100-241306
 Job Location: Breathitt Co., Ky.
 Contractor: Triton Construction, Inc.

Plant: Beaver Dam
 2/12/2026 6:18:46 AM

Tech: N. Richards
 PC: C. Goff



Structure ID: 565+50 RT CBI-A, 4-2

P1 BX2436-08BVF

BOX BASE 8inW, 8inF, Variable Ht

P3) 24" x 120" - CBITA10-TL - CB INLET KY A 10' TOP LEFT - 0.833'	3400 lb
P2) 24" x 120" - CBITA10-BL - CB INLET KY A 10' BOTTOM LEFT - 1.5'	5270 lb
P1) 24" x 36" - BX2436-08BVF - BOX BASE 8inW, 8inF, Variable Ht - 2.833'	4296 lb
1) 24" x 36" - SGL 1"x14.5' Butyl - 0'	0 lb
2) Hole - 0'	0 lb
2) Hole - 0'	0 lb
Structure Total:	12966 lb

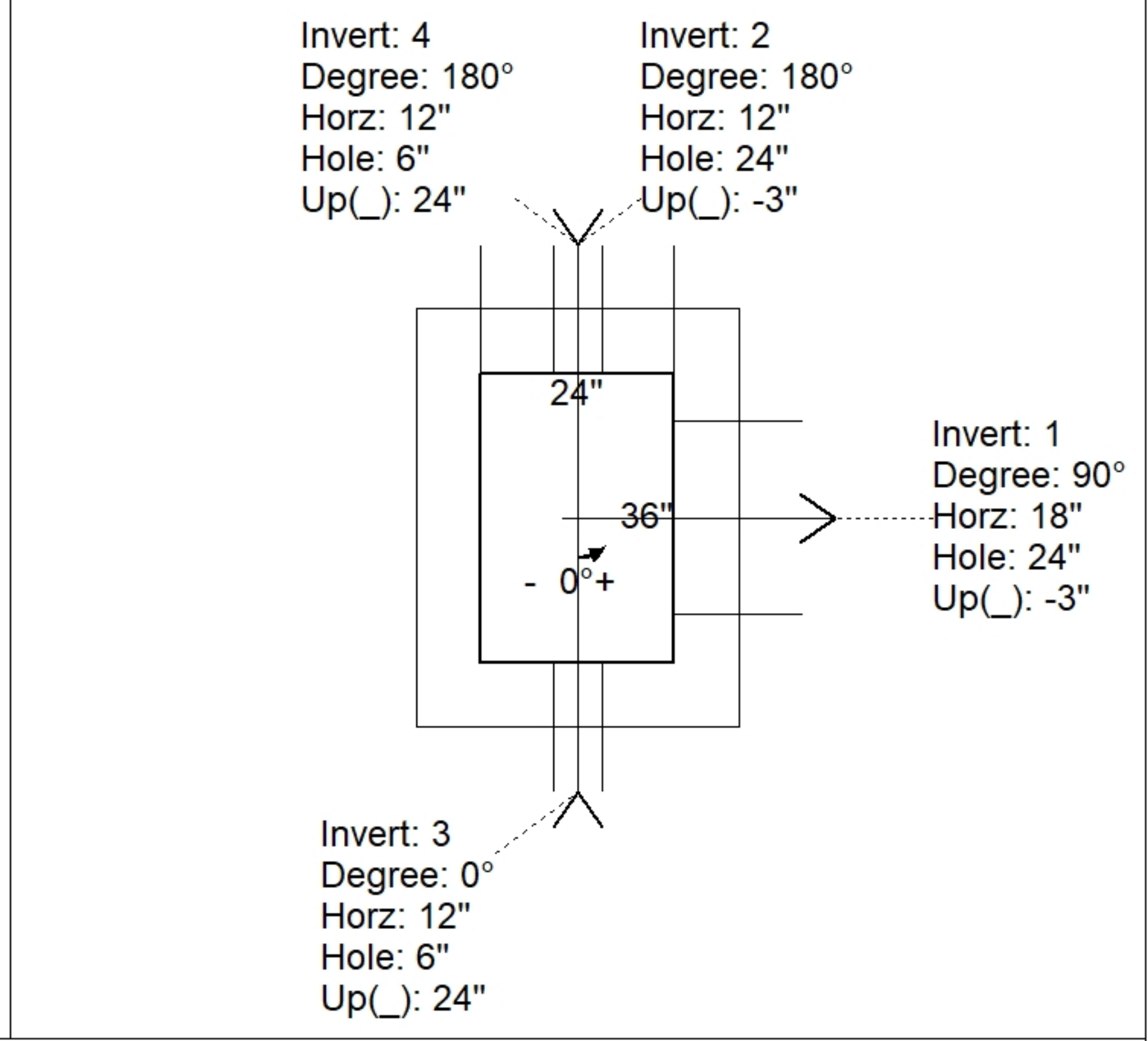
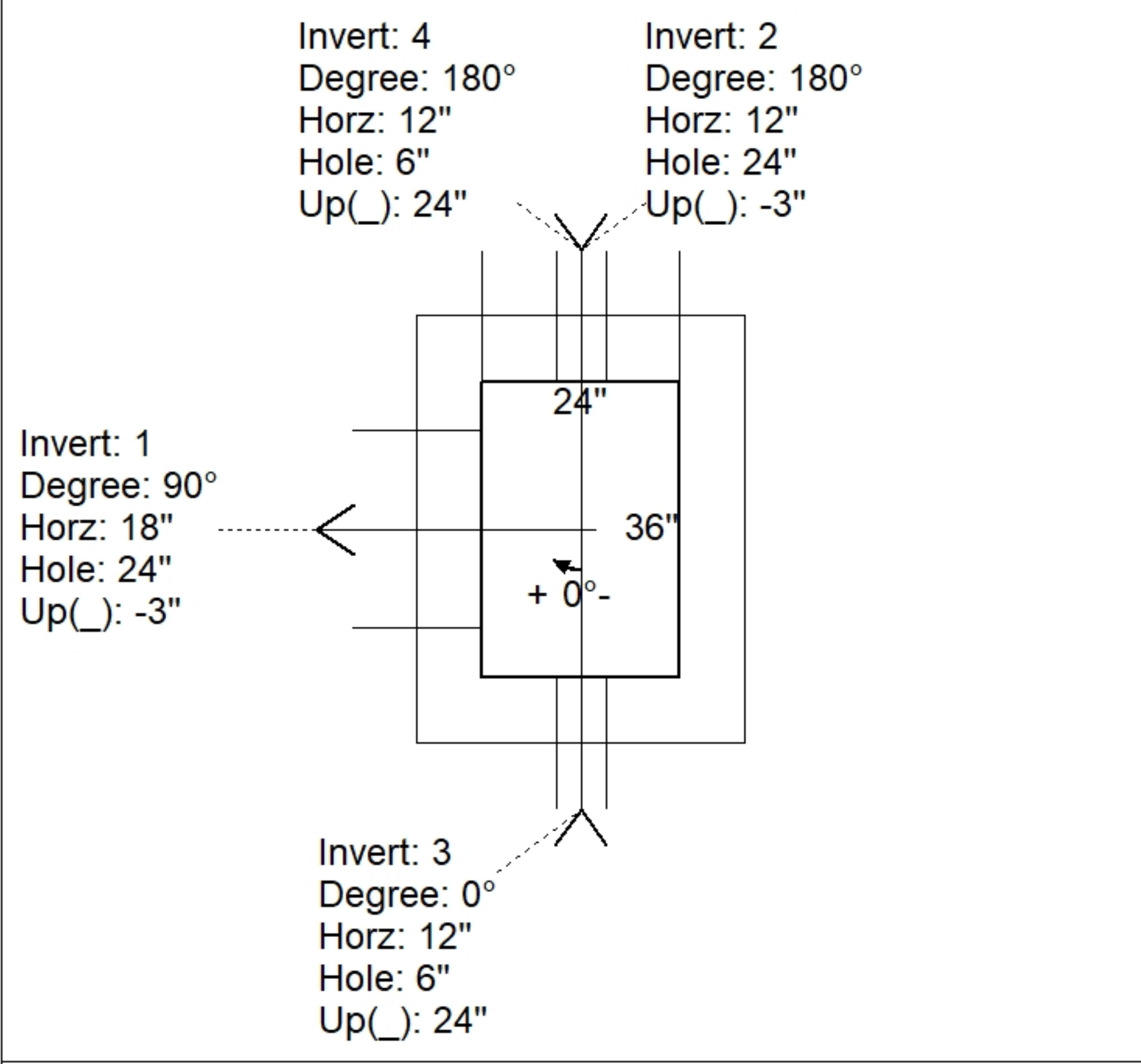
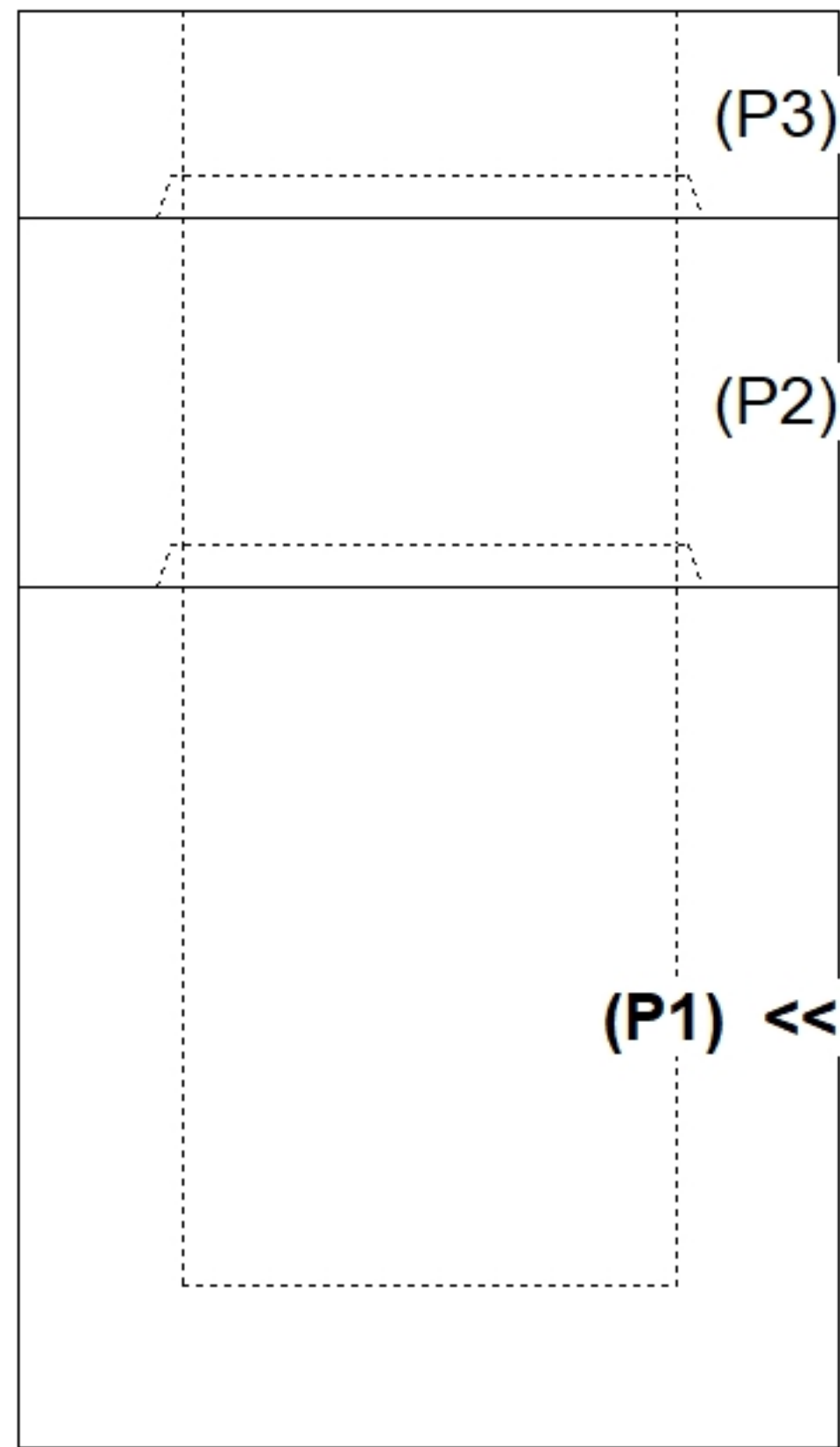
Structure Notes:
 -KYTC STATE PROJECT 241306
 -MANUFACTURED PER KYTC SPECIFICATIONS.
 -REINFORCING: #5 BAR @ 12" C/C E.W.
 -KYTC CERTIFICATIONS REQUIRED.

Rim: 740.12' Rim to Invert: 5.44' Slack: 0.273' Sump: 0' Step Position:

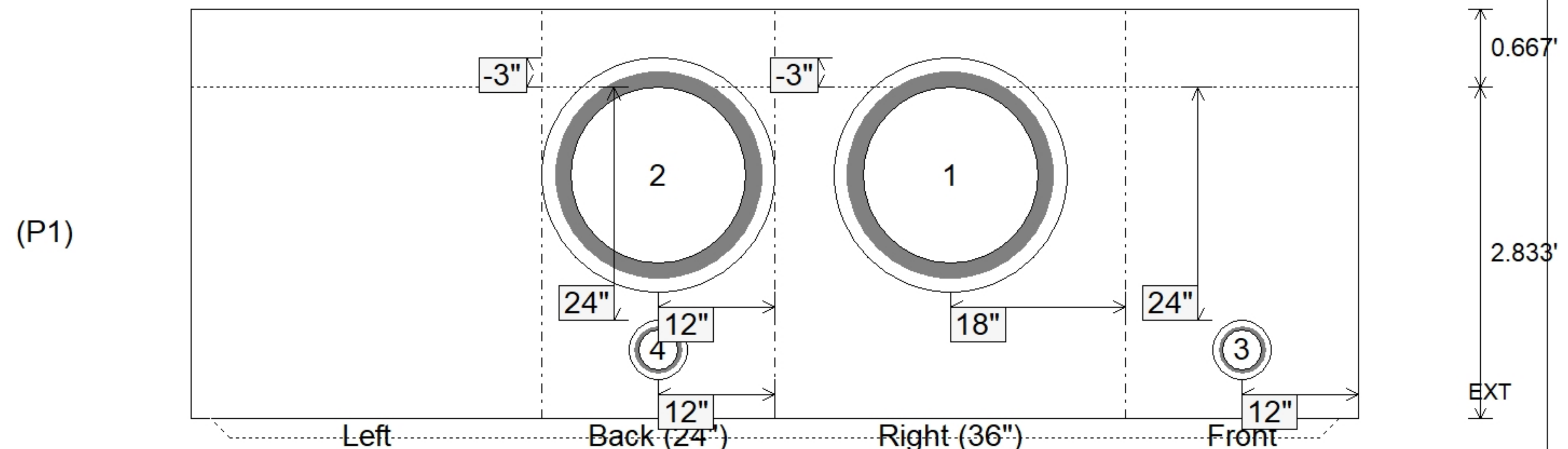
Position	Elev	Angle	Ext. (cw)	Pipe	Pipe OD	Connector	Hole	Horz Size	Up ()	Offset
Invert 1	734.68'	90°	26"	18" HDPE	21.2"	Hole 24	24"	24"	-3"	0"
Invert 2	734.68'	180°	20"	18" HDPE	21.2"	Hole 24	24"	24"	-3"	0"
Invert 3	736.76'	0°	20"	4" HDPE	4.8"	Hole 6	6"	6"	24"	0"
Invert 4	736.76'	180°	20"	4" HDPE	4.8"	Hole 6	6"	6"	24"	0"
Invert 5										
Invert 6										
Invert 7										
Invert 8										

RIGHT-SIDE UP VIEW (int. dimensions)

UPSIDE-DOWN VIEW (int. dimensions)



INSIDE WALL DIMENSIONS



Coating (Int):	Seam Up: Tongue	Wall Thickness: 8"	Height (Int): 2.833'	Weight (Net): 4296 lb
Coating (Ext):	Seam Dn: n/a	Floor Height: 0.667'	Height (Ext): 3.5'	Volume (Net): 1.1cu.yd