

**Job Name: 24-1632B KYTC Breathitt Co. Call 100-241306**

**Job Location: Breathitt Co., Ky.**

**Contractor: Triton Construction, Inc.**

PC: C. Goff

TECH: N. Richards

Plant: Beaver Dam



Structure ID: 564+00 RT CBI-A, 4-2

Spec: KYTC

Type: CBI TYPE A (10')

Size: 24" x 36"

Rim: 741.1'

Invert: 735.73'

Rim to Invert: 5.37'

Sump: 0'

Floor (Top): 735.73'

Floor Height: 0.667'

Floor (Bot): 735.063'

Overall Height: 5.833'

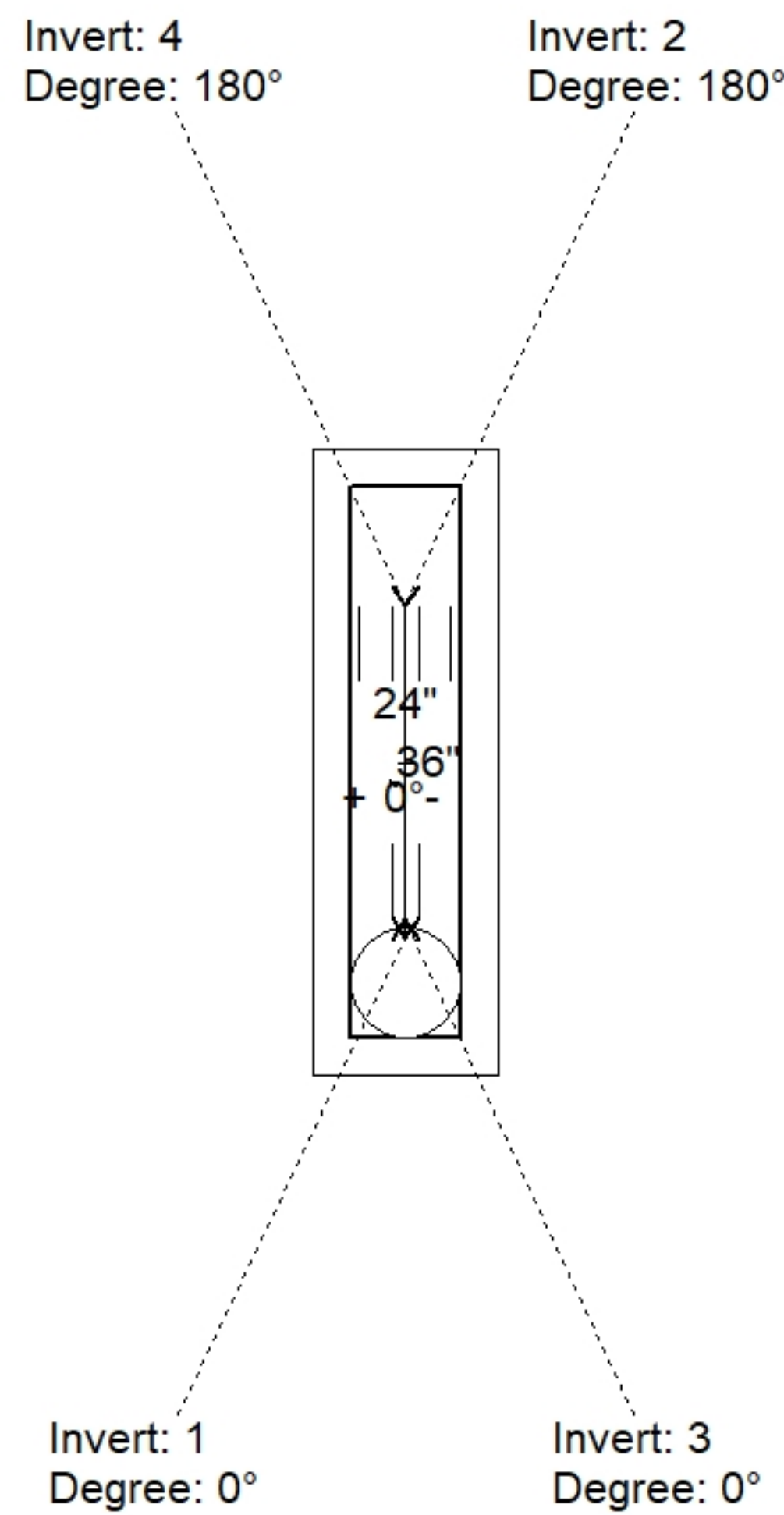
Slack: 0.203'

**Structure Notes:**

- KYTC STATE PROJECT 241306
- MANUFACTURED PER KYTC SPECIFICATIONS.
- REINFORCING: #5 BAR @ 12" C/C E.W.
- KYTC CERTIFICATIONS REQUIRED.

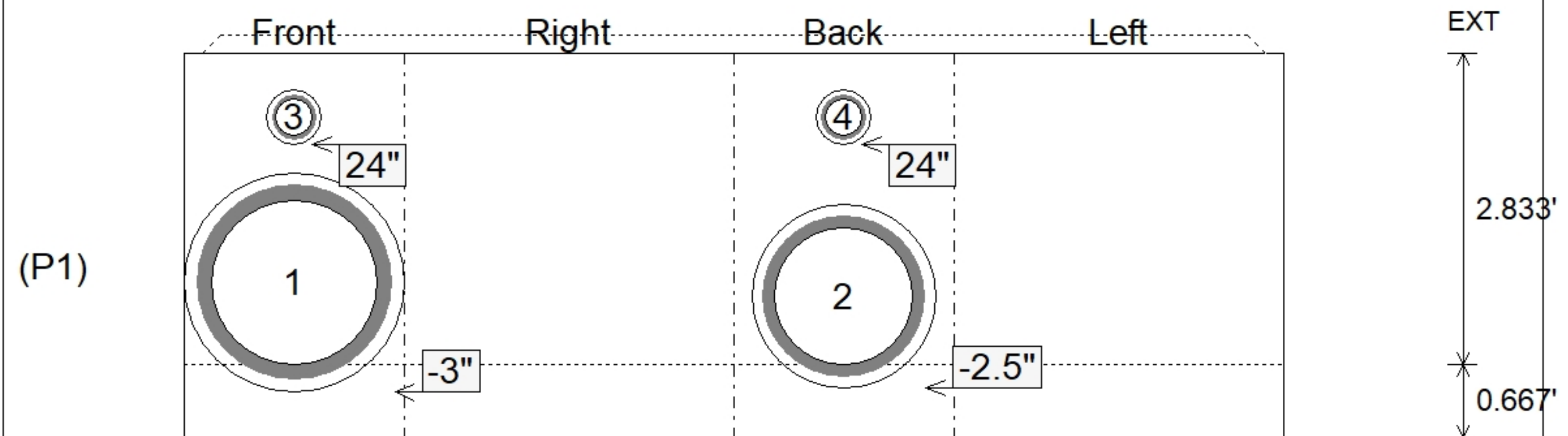
**STRUCTURE SUMMARY:**

P3) 24" x 120" - CBITA10-TL - CB INLET KY A 10' TOP LEFT - 0.833'	3400 lb
P2) 24" x 120" - CBITA10-BL - CB INLET KY A 10' BOTTOM LEFT - 1.5'	5270 lb
P1) 24" x 36" - BX2436-08BVF - BOX BASE 8inW, 8inF, Variable Ht - 2.833'	4389 lb
1) 24" x 36" - SGL 1"x14.5' Butyl - 0'	0 lb
1) Hole - 0'	0 lb
1) Hole - 0'	0 lb
2) Hole - 0'	0 lb
<b>Structure Total:</b>	<b>13058 lb</b>



Position	Elev	Angle	Pipe	Pipe OD	Hole	Connector	Up (")	Ref
Rim	741.1'							
Reducer								
Invert 1	735.73'	0°	18" HDPE	21.2"	24"	Hole 24	-3"	P1
Invert 2	735.73'	180°	15" HDPE	17.6"	20"	Hole 20	-2.5"	P1
Invert 3	737.82'	0°	4" HDPE	4.8"	6"	Hole 6	24"	P1
Invert 4	737.82'	180°	4" HDPE	4.8"	6"	Hole 6	24"	P1
Invert 5								
Invert 6								
Invert 7								
Invert 8								

**Default - Interior Dimensions**



24" x 120" - CBITA10-TL - CB INLET KY A 10' TOP LEFT - 0.833' - (P3)

24" x 120" - CBITA10-BL - CB INLET KY A 10' BOTTOM LEFT - 1.5' - (P2)

24" x 36" - BX2436-08BVF - BOX BASE 8inW, 8inF, Variable Ht - 2.833' - (P1)

Submittal Drawing  
2/12/2026 6:17:48 AM

SUBMITTAL  
APPROVED BY: