

**Job Name: 24-1632B KYTC Breathitt Co. Call 100-241306**  
**Job Location: Breathitt Co., Ky.**  
**Contractor: Triton Construction, Inc.**

PC: C. Goff  
 TECH: N. Richards  
 Plant: Beaver Dam



Structure ID: 562+50 RT CBI-A, 4-2  
 Spec: KYTC  
 Type: CBI TYPE A (10')  
 Size: 24" x 36"

Rim: 742.01'  
 Invert: 736.48'  
 Rim to Invert: 5.53'

Sump: 0'  
 Floor (Top): 736.48'  
 Floor Height: 0.667'

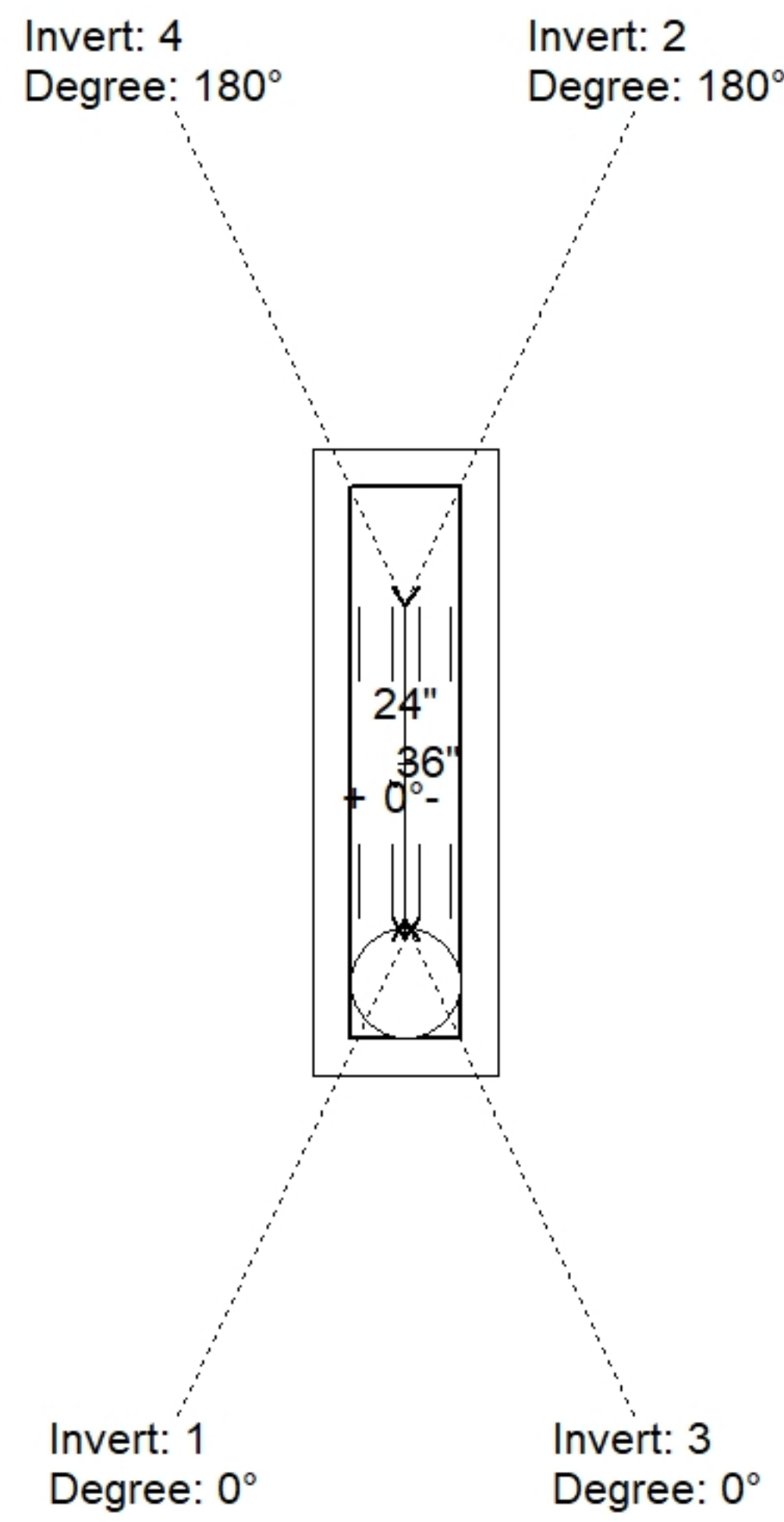
Floor (Bot): 735.813'  
 Overall Height: 6'  
 Slack: 0.197'

**Structure Notes:**

- KYTC STATE PROJECT 241306
- MANUFACTURED PER KYTC SPECIFICATIONS.
- REINFORCING: #5 BAR @ 12" C/C E.W.
- KYTC CERTIFICATIONS REQUIRED.

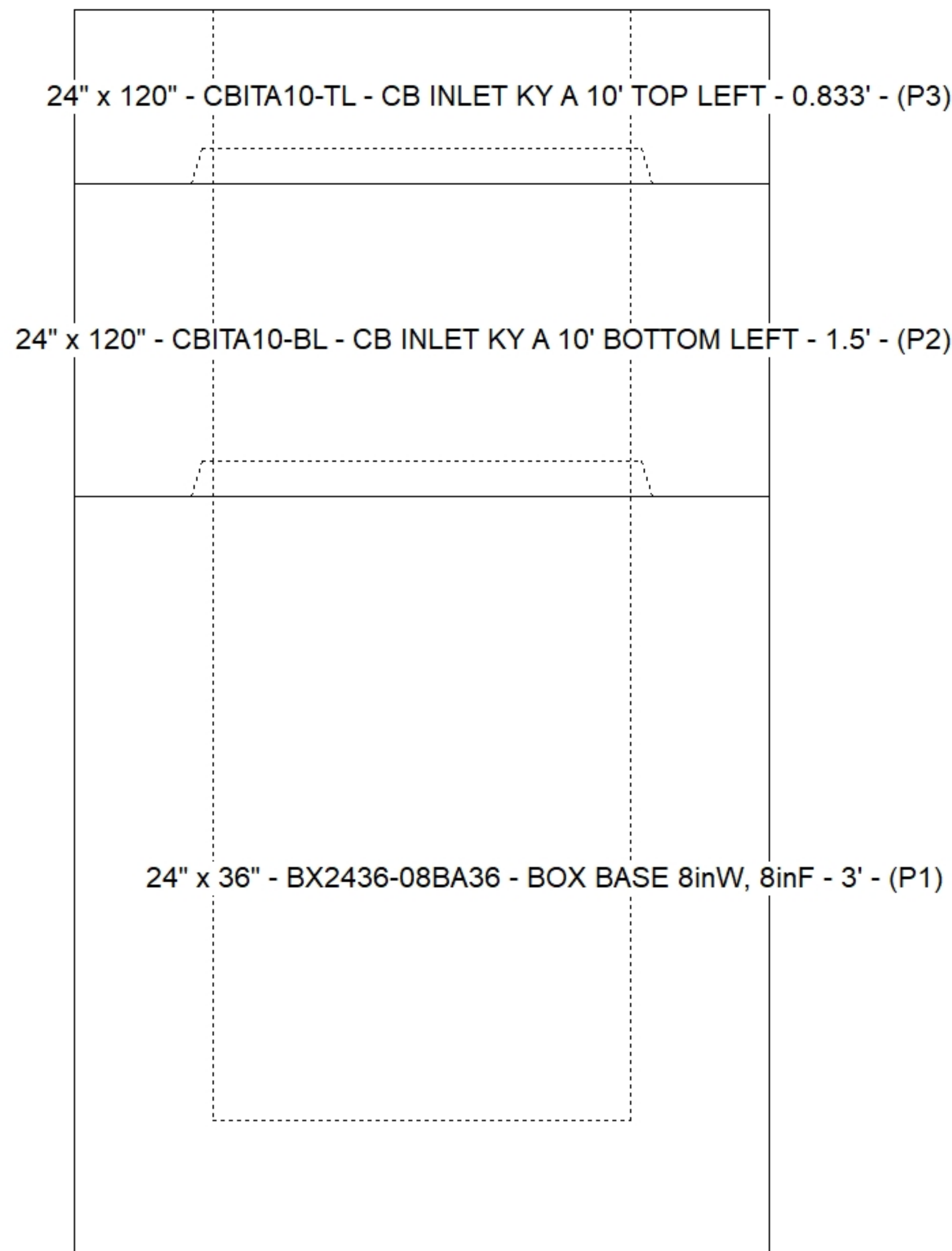
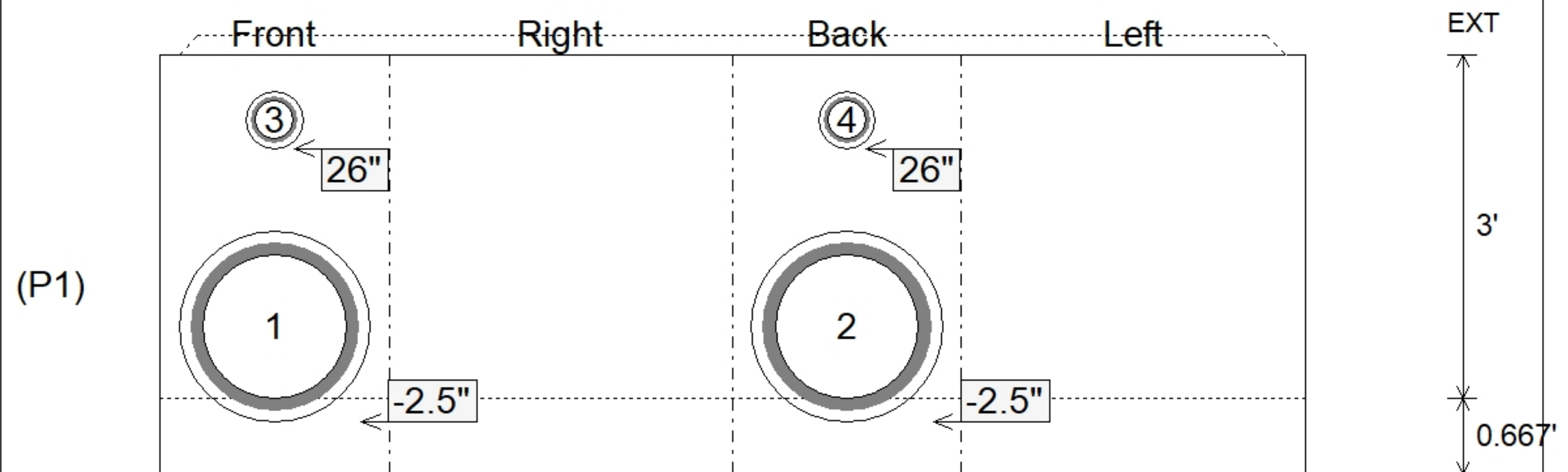
**STRUCTURE SUMMARY:**

P3) 24" x 120" - CBITA10-TL - CB INLET KY A 10' TOP LEFT - 0.833'	3400 lb
P2) 24" x 120" - CBITA10-BL - CB INLET KY A 10' BOTTOM LEFT - 1.5'	5270 lb
P1) 24" x 36" - BX2436-08BA36 - BOX BASE 8inW, 8inF - 3'	4610 lb
1) 24" x 36" - SGL 1"x14.5' Butyl - 0'	0 lb
2) Hole - 0'	0 lb
2) Hole - 0'	0 lb
<b>Structure Total:</b>	<b>13279 lb</b>



Position	Elev	Angle	Pipe	Pipe OD	Hole	Connector	Up (")	Ref
Rim	742.01'							
Reducer								
Invert 1	736.48'	0°	15" HDPE	17.6"	20"	Hole 20	-2.5"	P1
Invert 2	736.48'	180°	15" HDPE	17.6"	20"	Hole 20	-2.5"	P1
Invert 3	738.74'	0°	4" HDPE	4.8"	6"	Hole 6	26"	P1
Invert 4	738.74'	180°	4" HDPE	4.8"	6"	Hole 6	26"	P1
Invert 5								
Invert 6								
Invert 7								
Invert 8								

**Default - Interior Dimensions**



Submittal Drawing  
 2/12/2026 6:17:48 AM

SUBMITTAL  
 APPROVED BY: