

Job Name: 24-1632B KYTC Breathitt Co. Call 100-241306

Job Location: Breathitt Co., Ky.

Contractor: Triton Construction, Inc.

PC: C. Goff

TECH: N. Richards

Plant: Beaver Dam



Structure ID: 559+22 RT CBI-A, 6-2

Spec: KYTC

Type: CBI TYPE A (10')

Size: 24" x 36"

Rim: 743.89'

Invert: 737.25'

Rim to Invert: 6.64'

Sump: 0'

Floor (Top): 737.25'

Floor Height: 0.667'

Floor (Bot): 736.583'

Overall Height: 7'

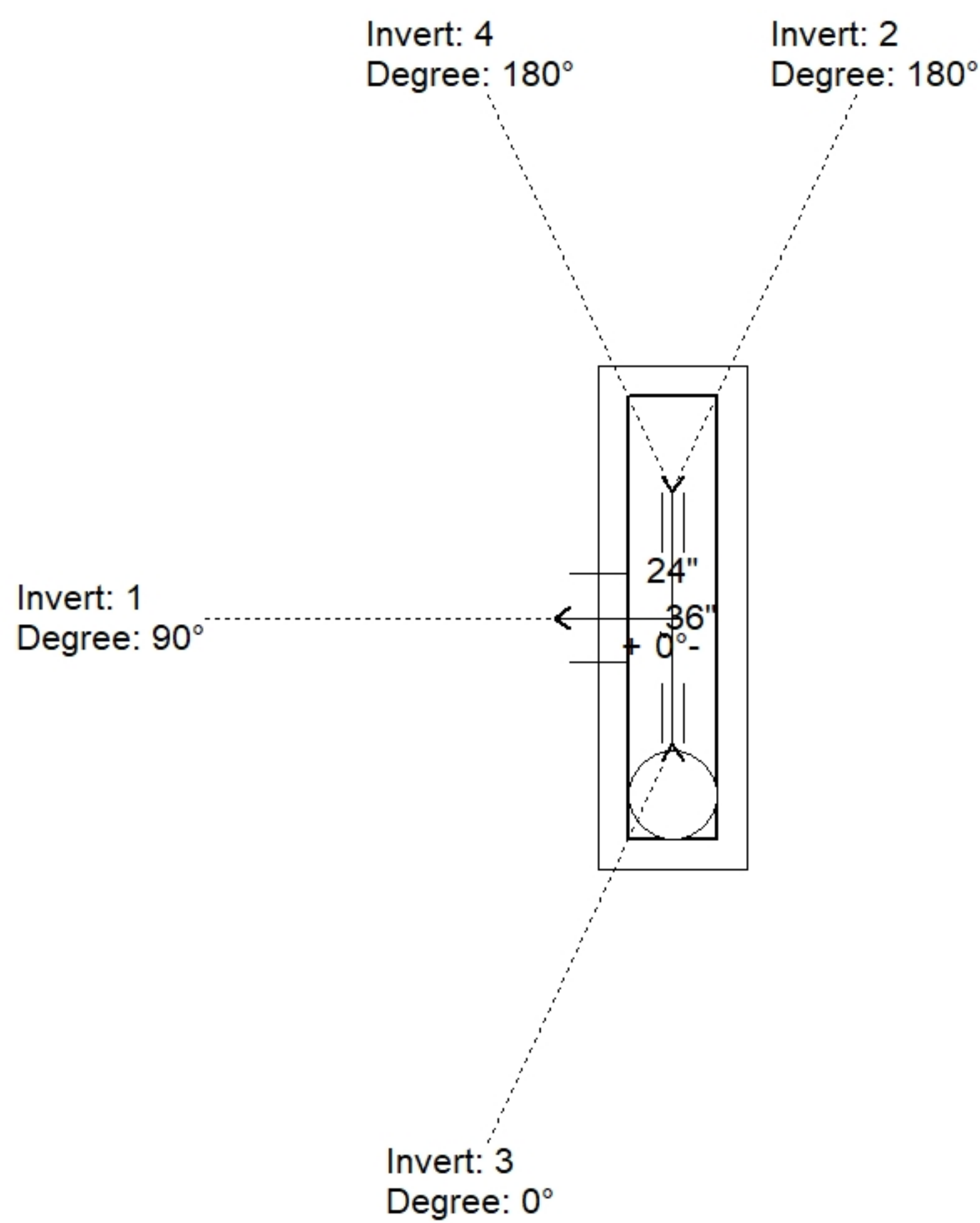
Slack: 0.307'

Structure Notes:

- KYTC STATE PROJECT 241306
- MANUFACTURED PER KYTC SPECIFICATIONS.
- REINFORCING: #5 BAR @ 12" C/C E.W.
- KYTC CERTIFICATIONS REQUIRED.

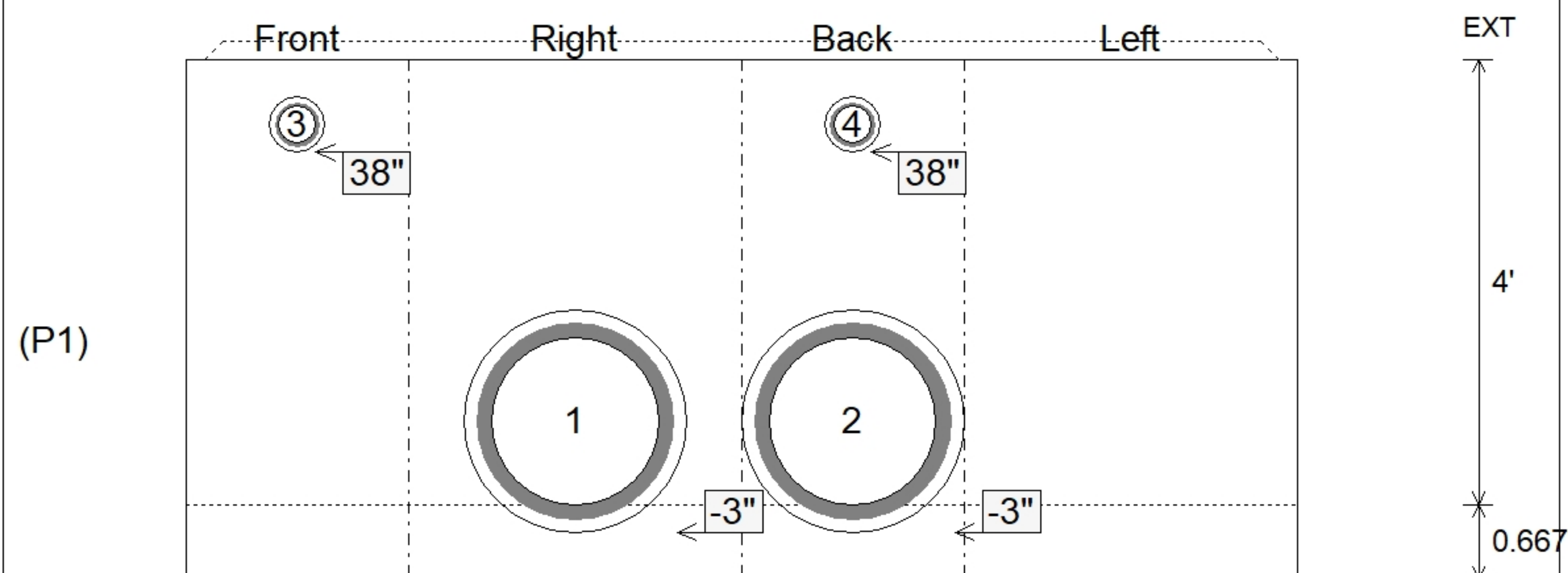
STRUCTURE SUMMARY:

| | |
|--|-----------------|
| P3) 24" x 120" - CBITA10-TL - CB INLET KY A 10' TOP LEFT - 0.833' | 3400 lb |
| P2) 24" x 120" - CBITA10-BL - CB INLET KY A 10' BOTTOM LEFT - 1.5' | 5270 lb |
| P1) 24" x 36" - BX2436-08BA48 - BOX BASE 8inW, 8inF - 4' | 5725 lb |
| 1) 24" x 36" - SGL 1"x14.5' Butyl - 0' | 0 lb |
| 2) Hole - 0' | 0 lb |
| 2) Hole - 0' | 0 lb |
| Structure Total: | 14394 lb |



| Position | Elev | Angle | Pipe | Pipe OD | Hole | Connector | Up (") | Ref |
|----------|---------|-------|----------|---------|------|-----------|--------|-----|
| Rim | 743.89' | | | | | | | |
| Reducer | | | | | | | | |
| Invert 1 | 737.25' | 90° | 18" HDPE | 21.2" | 24" | Hole 24 | -3" | P1 |
| Invert 2 | 737.25' | 180° | 18" HDPE | 21.2" | 24" | Hole 24 | -3" | P1 |
| Invert 3 | 740.5' | 0° | 4" HDPE | 4.8" | 6" | Hole 6 | 38" | P1 |
| Invert 4 | 740.5' | 180° | 4" HDPE | 4.8" | 6" | Hole 6 | 38" | P1 |
| Invert 5 | | | | | | | | |
| Invert 6 | | | | | | | | |
| Invert 7 | | | | | | | | |
| Invert 8 | | | | | | | | |

Default - Interior Dimensions



Submittal Drawing
2/12/2026 6:17:46 AM

SUBMITTAL
APPROVED BY:

24" x 120" - CBITA10-TL - CB INLET KY A 10' TOP LEFT - 0.833' - (P3)

24" x 120" - CBITA10-BL - CB INLET KY A 10' BOTTOM LEFT - 1.5' - (P2)

24" x 36" - BX2436-08BA48 - BOX BASE 8inW, 8inF - 4' - (P1)