

Job Name: 24-1632B KYTC Breathitt Co. Call 100-241306  
 Job Location: Breathitt Co., Ky.  
 Contractor: Triton Construction, Inc.

Plant: Beaver Dam  
 2/12/2026 6:18:43 AM

Tech: N. Richards  
 PC: C. Goff



**Structure ID: 559+22 RT CBI-A, 6-2**

**P1 BX2436-08BA48 BOX BASE 8inW, 8inF**

P3) 24" x 120" - CBITA10-TL - CB INLET KY A 10' TOP LEFT - 0.833'	3400 lb
P2) 24" x 120" - CBITA10-BL - CB INLET KY A 10' BOTTOM LEFT - 1.5'	5270 lb
P1) 24" x 36" - BX2436-08BA48 - BOX BASE 8inW, 8inF - 4'	5725 lb
1) 24" x 36" - SGL 1"x14.5' Butyl - 0'	0 lb
2) Hole - 0'	0 lb
2) Hole - 0'	0 lb
Structure Total:	14394 lb

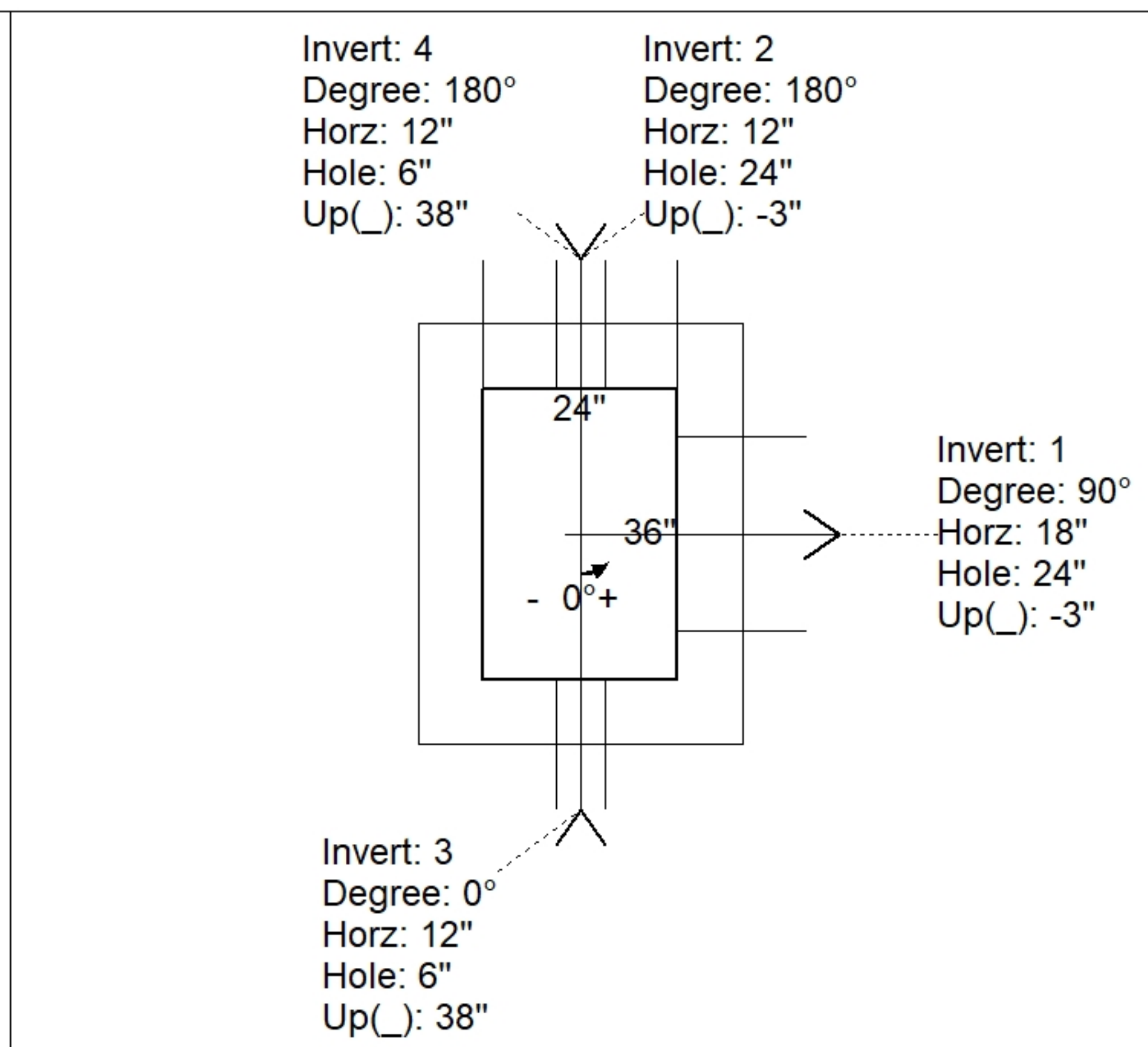
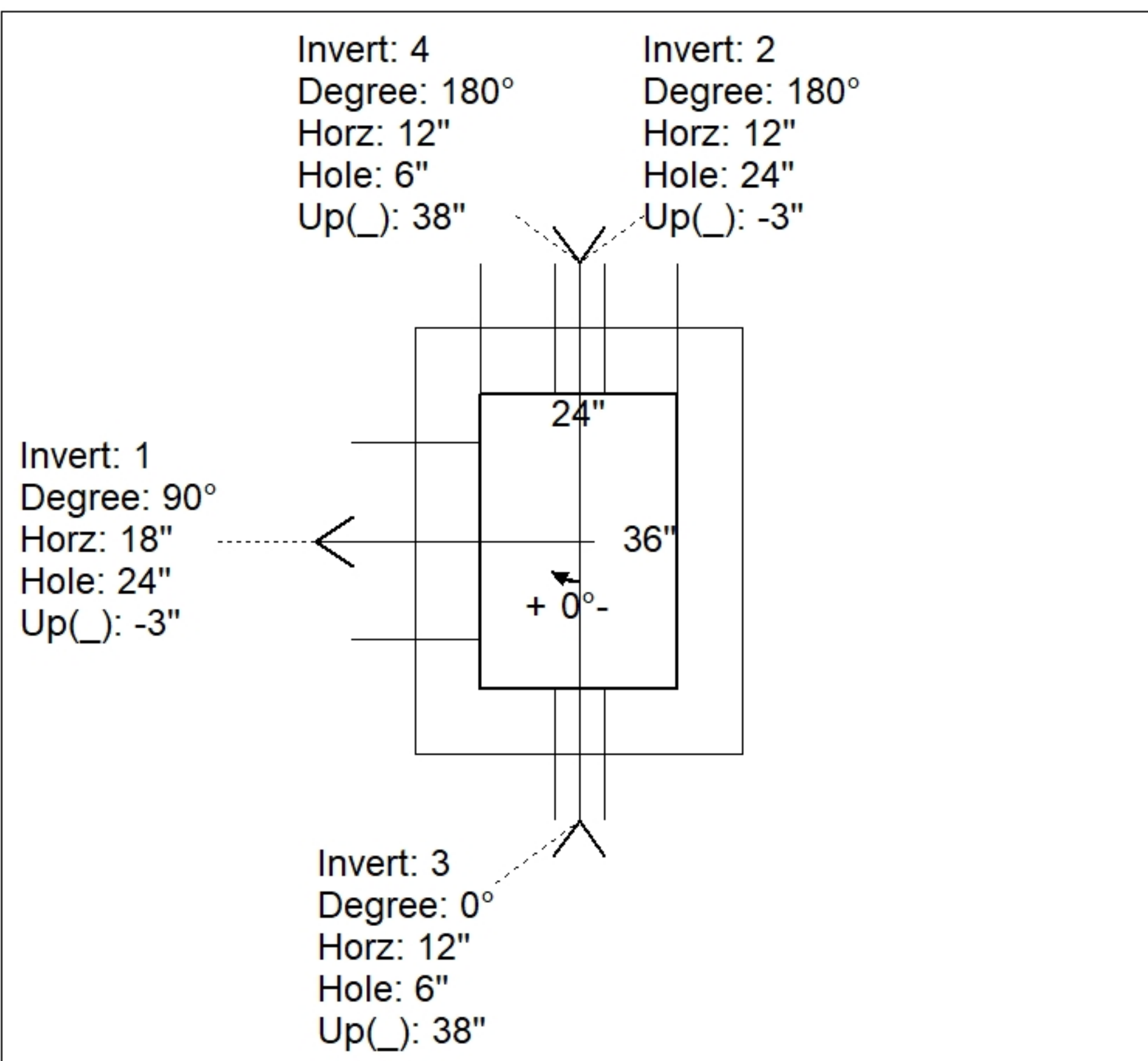
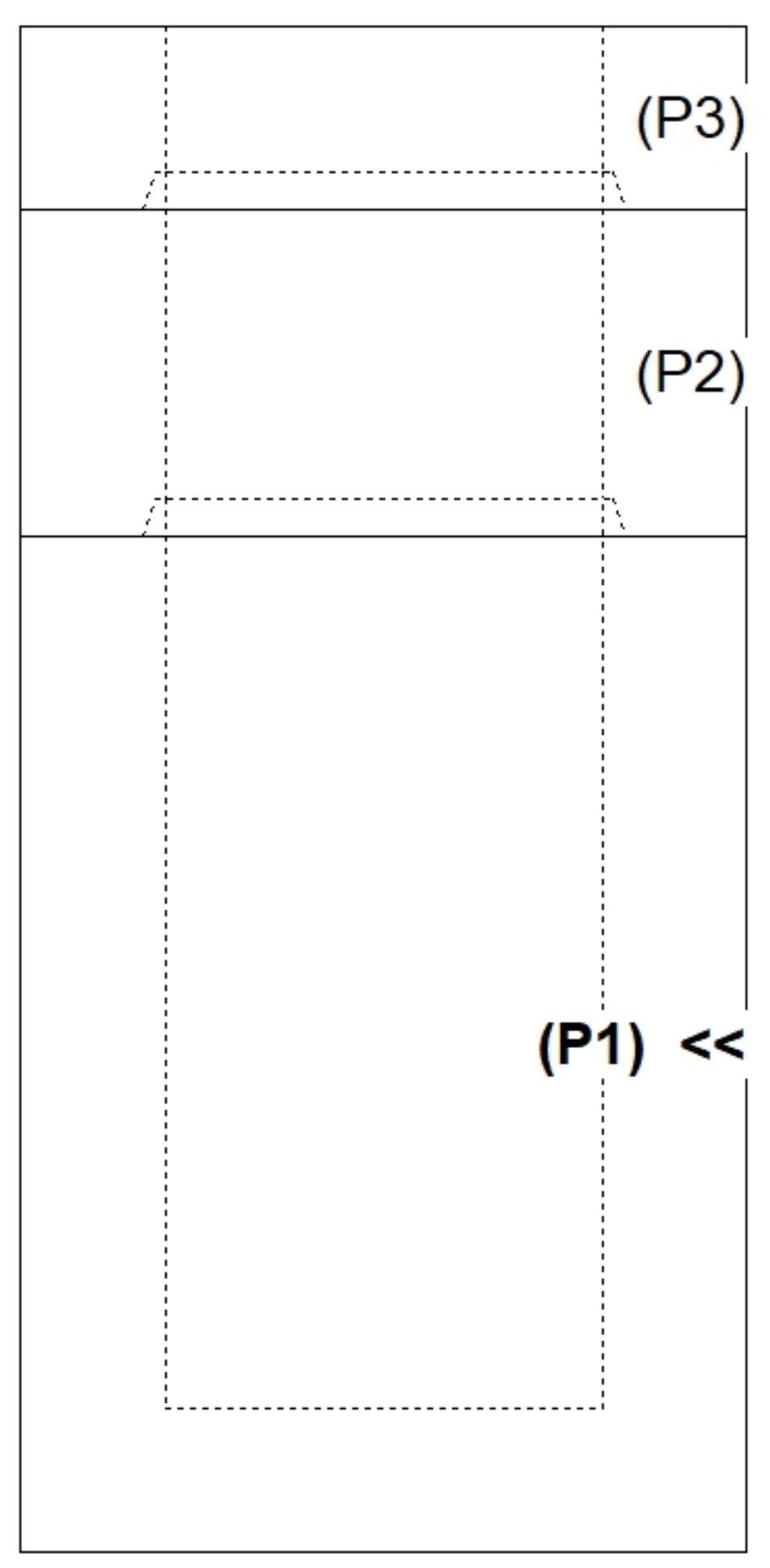
**Structure Notes:**  
 -KYTC STATE PROJECT 241306  
 -MANUFACTURED PER KYTC SPECIFICATIONS.  
 -REINFORCING: #5 BAR @ 12" C/C E.W.  
 -KYTC CERTIFICATIONS REQUIRED.

Rim: 743.89' Rim to Invert: 6.64' Slack: 0.307' Sump: 0' Step Position:

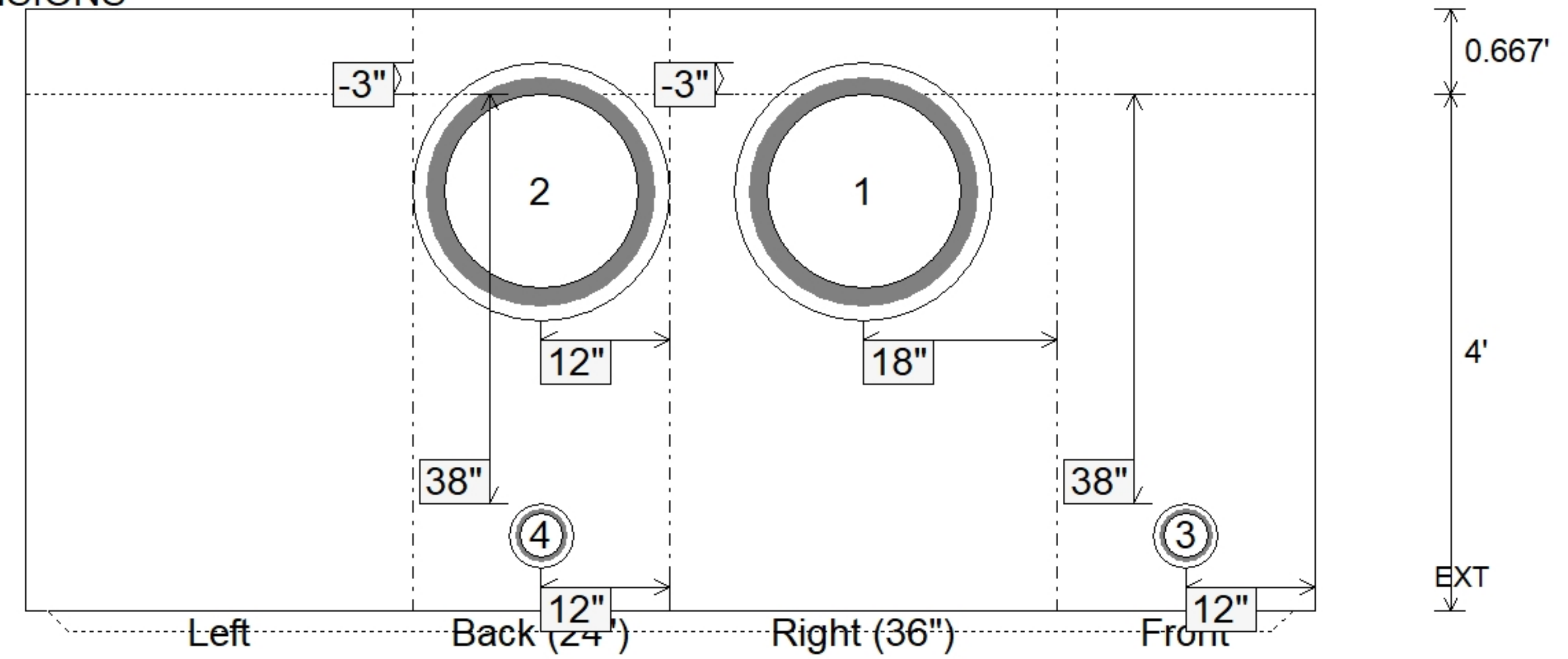
Position	Elev	Angle	Ext. (cw)	Pipe	Pipe OD	Connector	Hole	Horz Size	Up ( )	Offset
Invert 1	737.25'	90°	26"	18" HDPE	21.2"	Hole 24	24"	24"	-3"	0"
Invert 2	737.25'	180°	20"	18" HDPE	21.2"	Hole 24	24"	24"	-3"	0"
Invert 3	740.5'	0°	20"	4" HDPE	4.8"	Hole 6	6"	6"	38"	0"
Invert 4	740.5'	180°	20"	4" HDPE	4.8"	Hole 6	6"	6"	38"	0"
Invert 5										
Invert 6										
Invert 7										
Invert 8										

RIGHT-SIDE UP VIEW (int. dimensions)

UPSIDE-DOWN VIEW (int. dimensions)



INSIDE WALL DIMENSIONS



Coating (Int): Coating (Ext):	Seam Up: Tongue Seam Dn: n/a	Wall Thickness: 8" Floor Height: 0.667'	Height (Int): 4' Height (Ext): 4.667'	Weight (Net): 5725 lb Volume (Net): 1.46cu.yd
----------------------------------	---------------------------------	--	--	--