

**Structure ID: 557+75 RT CBI-A, 6-2**

**P1 BX2436-08BVF BOX BASE 8inW, 8inF, Variable Ht**

P3) 24" x 120" - CBITA10-TL - CB INLET KY A 10' TOP LEFT - 0.833' P2) 24" x 120" - CBITA10-BL - CB INLET KY A 10' BOTTOM LEFT - 1.5' P1) 24" x 36" - BX2436-08BVF - BOX BASE 8inW, 8inF, Variable Ht - 3.583' 1) 24" x 36" - SGL 1"x14.5' Butyl - 0' 2) Hole - 0' 2) Hole - 0'	3400 lb 5270 lb 5290 lb 0 lb 0 lb 0 lb <hr style="width: 50px; margin-left: auto; margin-right: 0;"/> Structure Total: 13960 lb
---	---

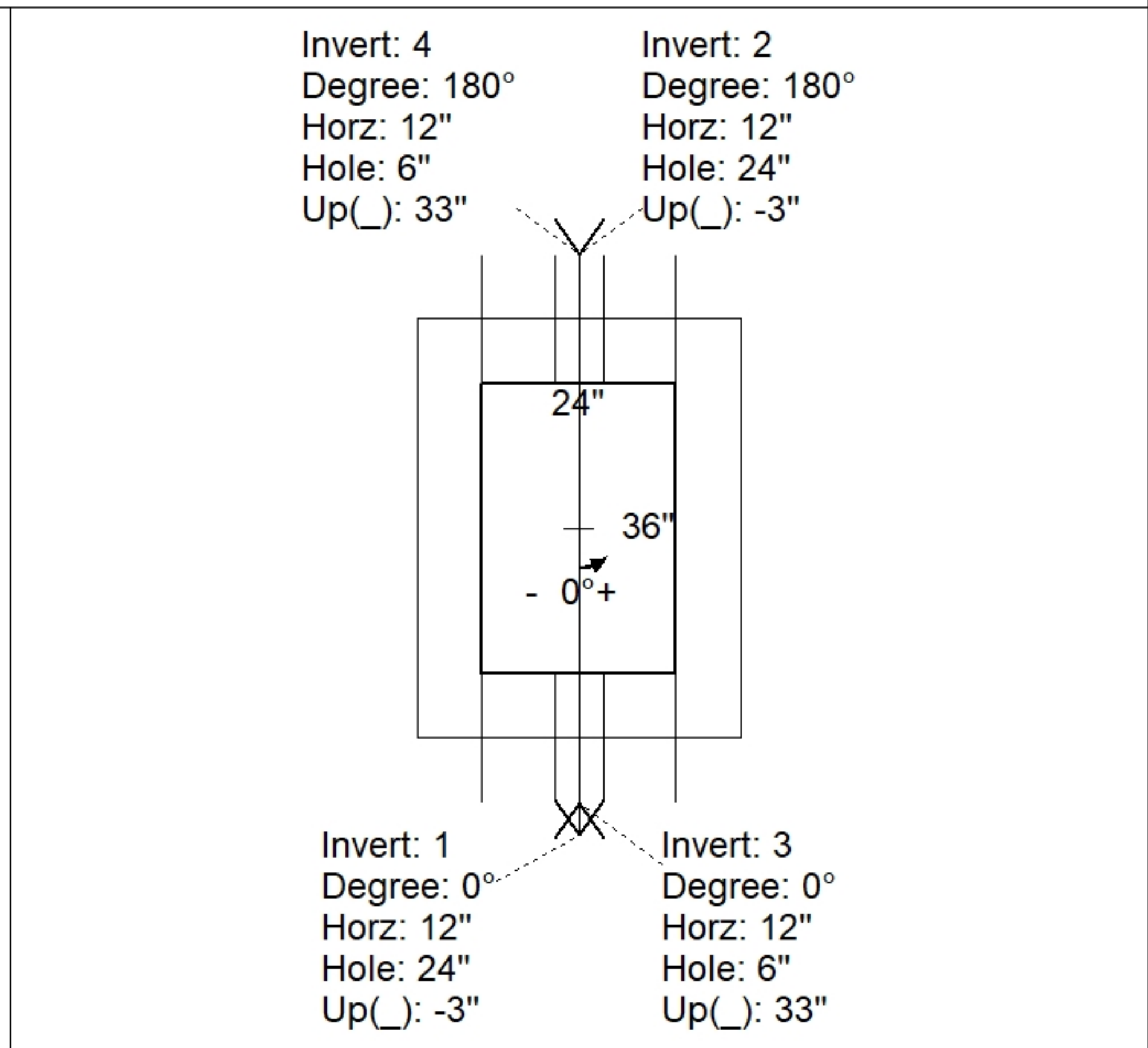
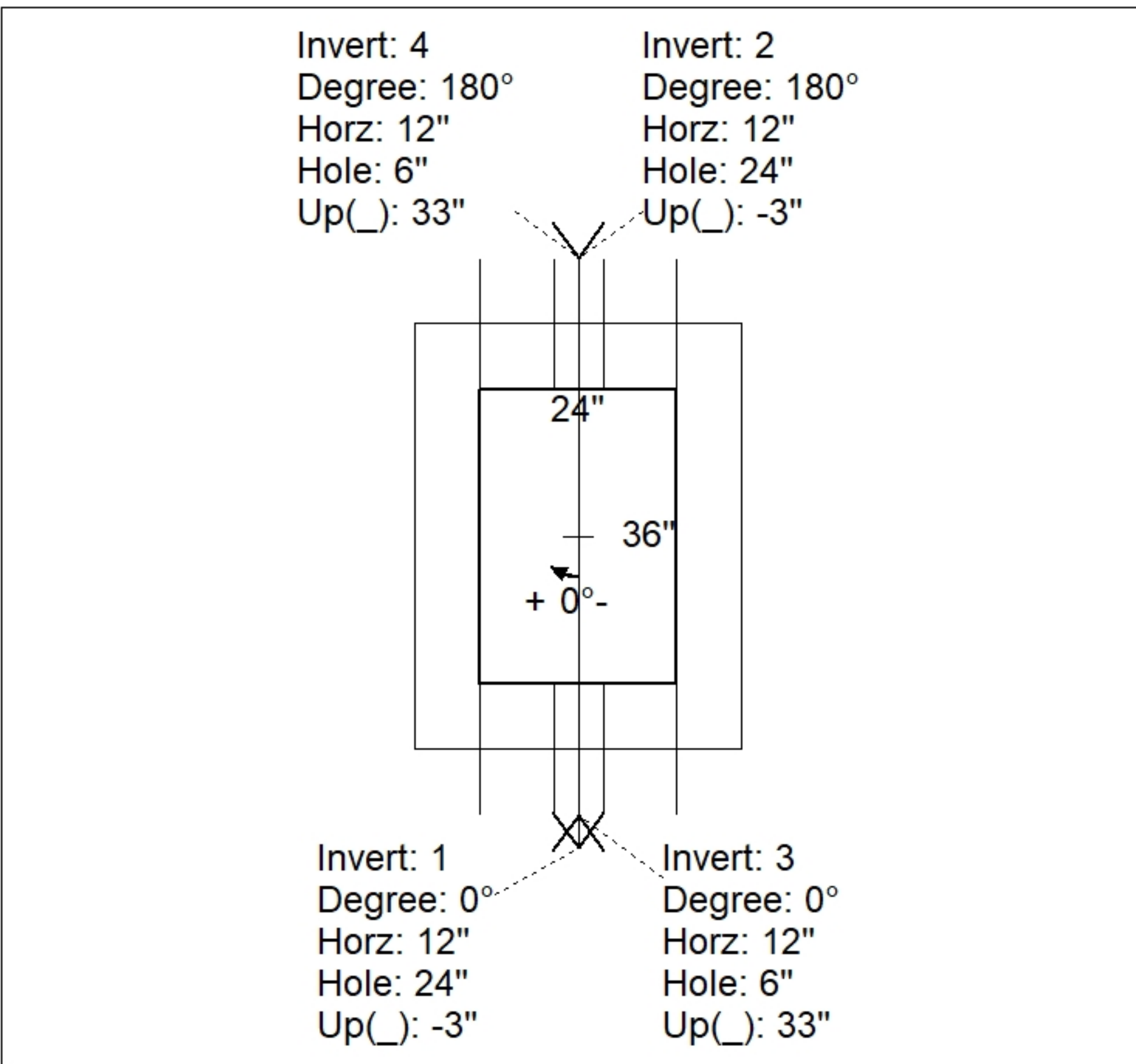
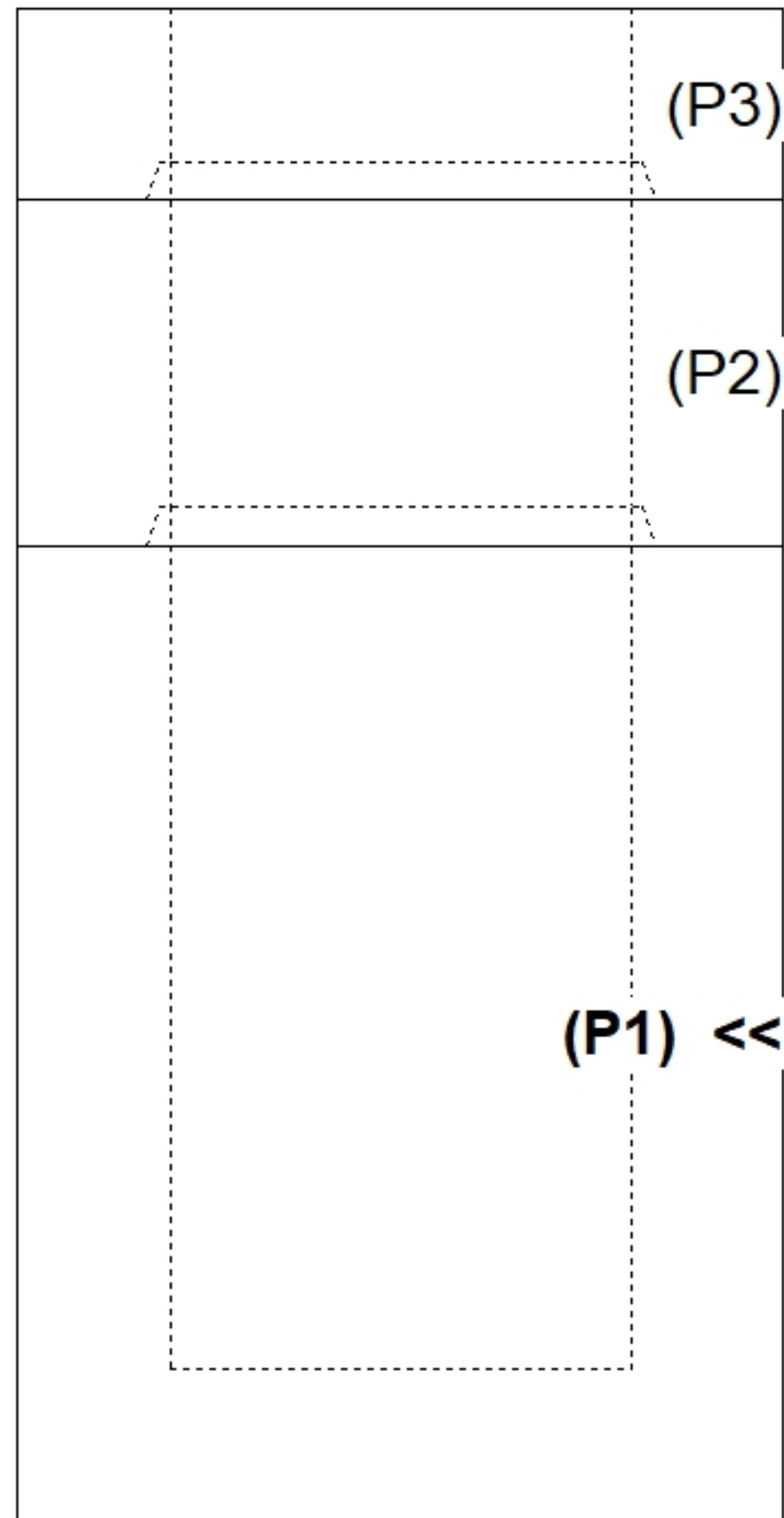
Structure Notes:  
 -KYTC STATE PROJECT 241306  
 -MANUFACTURED PER KYTC SPECIFICATIONS.  
 -REINFORCING: #5 BAR @ 12" C/C E.W.  
 -KYTC CERTIFICATIONS REQUIRED.

Rim: 744.75'    Rim to Invert: 6.25'    Slack: 0.333'    Sump: 0'    Step Position:

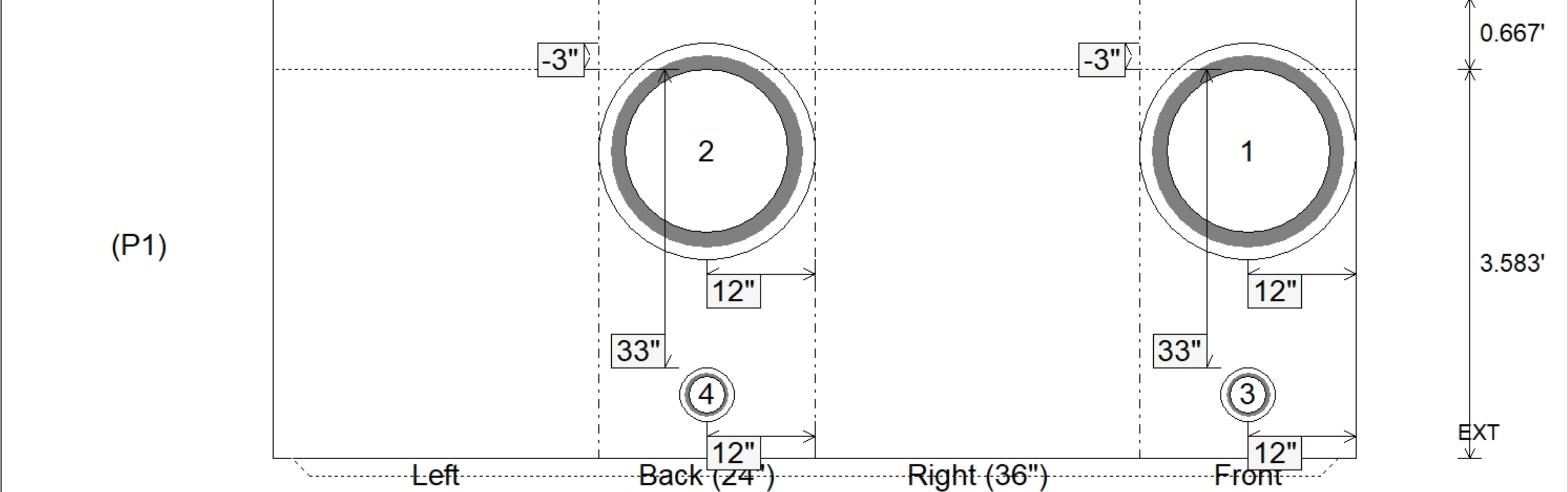
Position	Elev	Angle	Ext. (cw)	Pipe	Pipe OD	Connector	Hole	Horz Size	Up ( )	Offset
Invert 1	738.5'	0°	20"	18" HDPE	21.2"	Hole 24	24"	24"	-3"	0"
Invert 2	738.5'	180°	20"	18" HDPE	21.2"	Hole 24	24"	24"	-3"	0"
Invert 3	741.33'	0°	20"	4" HDPE	4.8"	Hole 6	6"	6"	33"	0"
Invert 4	741.33'	180°	20"	4" HDPE	4.8"	Hole 6	6"	6"	33"	0"
Invert 5										
Invert 6										
Invert 7										
Invert 8										

**RIGHT-SIDE UP VIEW (int. dimensions)**

**UPSIDE-DOWN VIEW (int. dimensions)**



**INSIDE WALL DIMENSIONS**



Coating (Int):	Seam Up: Tongue	Wall Thickness: 8"	Height (Int): 3.583'	Weight (Net): 5290 lb
Coating (Ext):	Seam Dn: n/a	Floor Height: 0.667'	Height (Ext): 4.25'	Volume (Net): 1.35cu.yd